



Contractor shall modify existing overflow discharge as required. Reference Specifications.

Remove existing tower overflow pipe as required to within approx. 5 feet of property line. Plug pipe end with concrete. Backfill exposed trench as required.

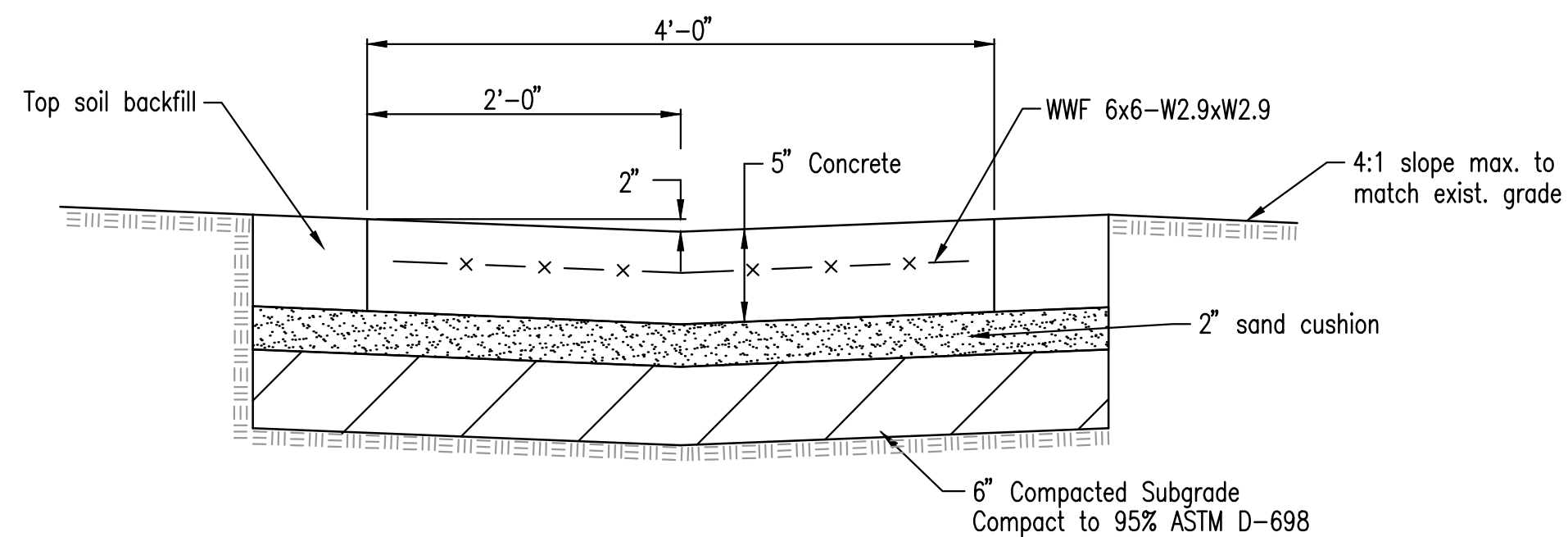
Construct approximately 86 LF of concrete valley gutter. Reference Site Aerial this sheet.

TOWER OVERFLOW PIPE & VALLEY GUTTER

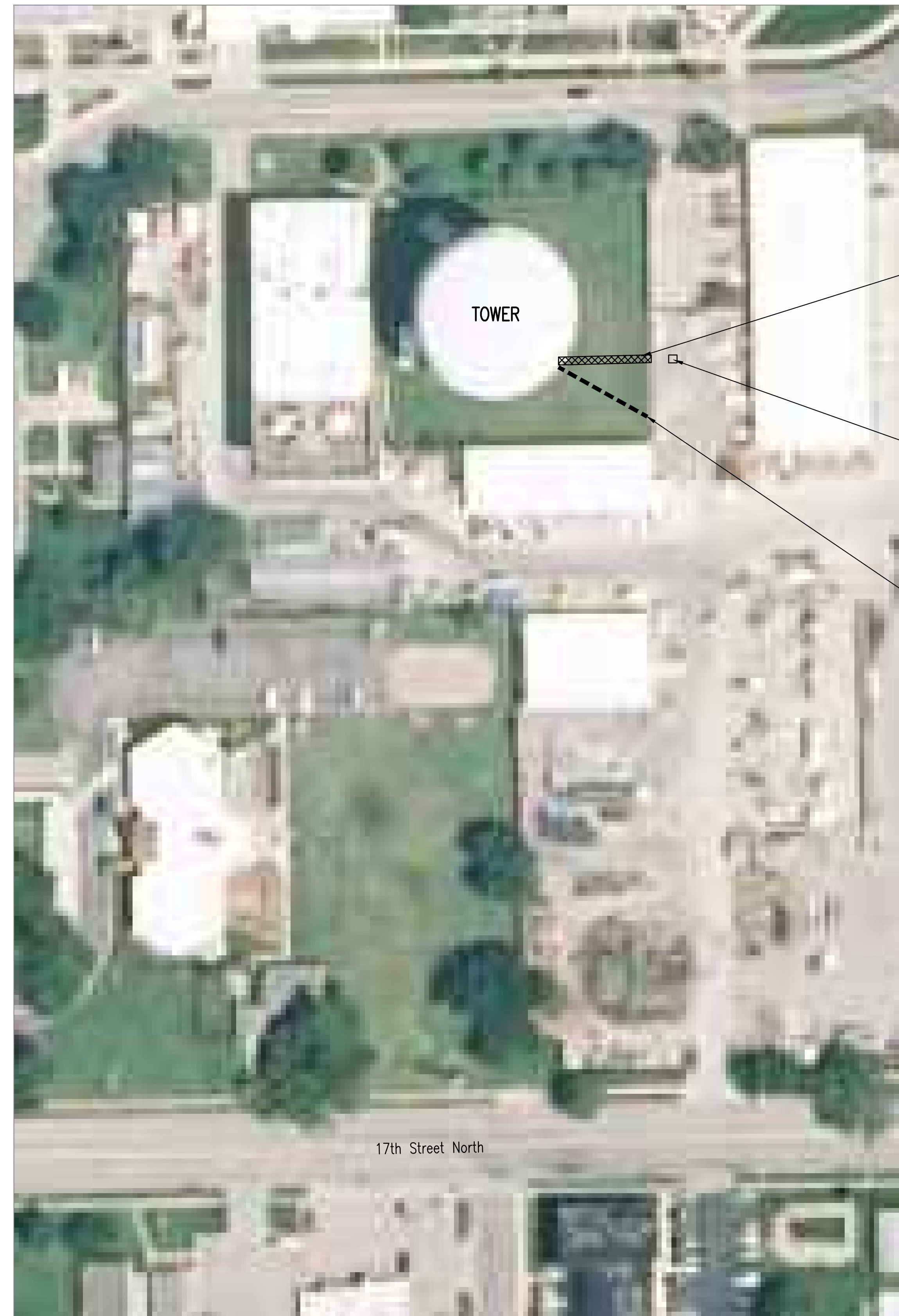


PAVED AREA EAST OF TOWER

Terminate valley gutter approx. 1 foot west of the existing fence. Valley gutter elevation shall be approx. 3" above existing asphalt elevation.



VALLEY GUTTER DETAIL



17th Street North

SITE AERIAL

NOTE:
 Contractor shall modify existing tower overflow piping per project specifications. Overflow piping modifications shall meet KDHE requirements.

Construct approximately 86 LF of concrete valley gutter. The valley gutter will be located between the tower overflow and the existing pavement to the east of the tower. The valley gutter shall be installed with a positive slope from the overflow pipe to existing pavement. The alignment of the valley gutter shall be from the tower overflow pipe toward the existing drop inlet located in the easterly parking area.

Existing storm drain drop inlet. Ref. photo this sheet.

Remove existing tower overflow pipe as required to within approx. 5 feet of property line. Plug pipe end with concrete. Backfill exposed trench as required.



Saved 04-05-2016 8:55:07 AM by CAL
 Plot Scale 1:1 04-05-2016 9:12:46 AM
 U:\Wichita-Civil\2014\14420\001\W&WW\Drawings\14420-001 C2 Site Plan

	Revision		By	Date
	CITY OF WICHITA, KANSAS			
WICHITA STATE UNIVERSITY (ROOSEVELT) TOWER				
SITE PLAN (BASE BID)				
WATER TOWER REHABILITATION				
		PROFESSIONAL ENGINEERING CONSULTANTS, P.A. 303 SOUTH TOPEKA WICHITA, KS 67202 316-262-2691 www.pec1.com		
		Designed by	Job No. 34-14420-001	Sht. C2 of 4
Drawn by	Date	APRIL 2016		