

GENERAL NOTES

- THE CONTRACTOR SHALL COMPLY WITH ALL APPLICABLE SAFETY REGULATIONS. ALL CONSTRUCTION SHALL BE COMPLETED FOLLOWING CURRENT CITY STANDARD SPECIFICATIONS AND SPECIAL PROVISIONS.
- THE CONTRACTOR WILL BE REQUIRED TO PROVIDE NOTICE TO UTILITY COMPANIES A MINIMUM OF SEVENTY-TWO (72) HOURS PRIOR TO ANY EXCAVATION, AS FOLLOWS:

KANSAS ONE-CALL 687-2470
BNSF RAILWAY 1-800-533-2391

THE CONTRACTOR MUST NOTIFY THE FOLLOWING IN CASE OF AN EMERGENCY:

AT&T	1-800-246-8464
BLACK HILLS ENERGY (GAS)	1-800-694-9899
CITY OF WICHITA WATER	1-316-268-4555
CITY OF WICHITA SEWER	1-316-268-4073
CITY OF WICHITA STORMWATER	1-316-268-4090
CITY OF WICHITA TRAFFIC	1-316-268-4034
COX COMMUNICATIONS	1-888-249-3530
KANSAS GAS SERVICE	1-888-482-4950
WESTAR ENERGY	1-800-544-4857

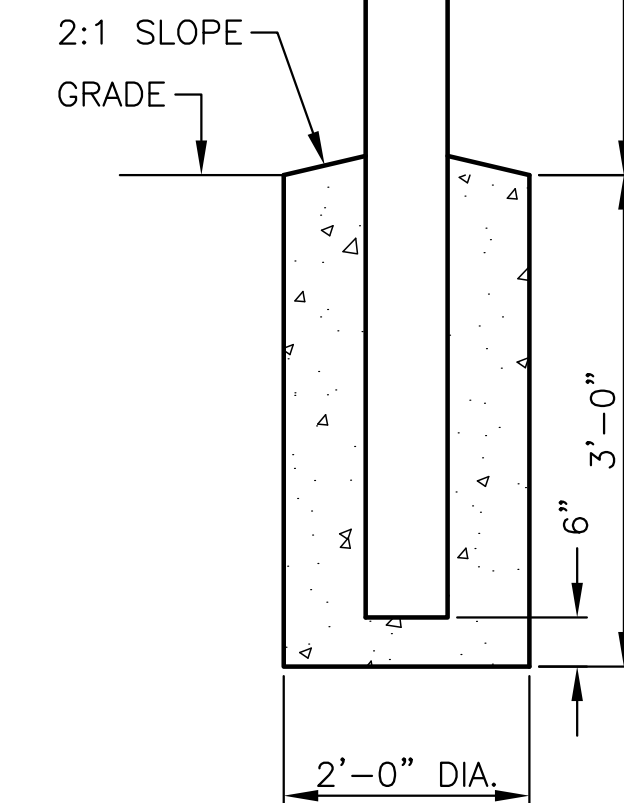
- UTILITY SERVICE LINES, POLES, ETC. ARE TO BE ADJUSTED AS NECESSARY BY OTHERS PRIOR TO CONSTRUCTION UNLESS THE PLANS SPECIFICALLY CALL FOR THEIR ADJUSTMENT BY ITS OWNER DURING CONSTRUCTION. EXISTING UTILITIES AND THEIR LOCATION, AS SHOWN ON THE PLAN, REPRESENT THE BEST INFORMATION OBTAINABLE FOR DESIGN. THE CONTRACTOR WILL BE REQUIRED TO WORK AROUND EXISTING UTILITIES WITHIN THE RIGHT-OF-WAY WHICH DO NOT CONFLICT WITH PROPOSED CONSTRUCTION.
- RUBBLE FROM THE REMOVAL OF MISCELLANEOUS STRUCTURES AND EXCESS EXCAVATION WHICH IS TO BE WASTED SHALL BE DISPOSED OF ON SITES TO BE PROVIDED BY THE CONTRACTOR. THESE SITES SHALL BE APPROVED BY THE ENGINEER AS TO SUITABILITY, APPEARANCE AND SITE LOCATION. LOCATIONS, IN THE OPINION OF THE ENGINEER, THAT WILL LEAVE AN UNSIGHTLY APPEARANCE WILL NOT BE APPROVED. ALL DISPOSAL SITES MUST BE APPROVED BY THE KANSAS DEPARTMENT OF HEALTH AND ENVIRONMENT. MATERIAL EITHER STOCKPILED OR DISPOSED OF IN A FLOOD PLAIN WOULD REQUIRE A KANSAS STATE BOARD OF AGRICULTURE PERMIT. ANY MATERIAL DUMPED IN WATERS OF THE UNITED STATES OR WETLANDS IS SUBJECT TO U.S. CORPS OF ENGINEERS PERMITTING REGULATIONS. ANY MATERIAL BURIED OR STOCKPILED BEYOND APPROVED CONSTRUCTION LIMITS WOULD REQUIRE ADDITIONAL ARCHAEOLOGICAL INVESTIGATIONS UNLESS BURIED IN A PREVIOUSLY APPROVED BORROW LOCATION.
- TREES AND SHRUBS IN PUBLIC RIGHT-OF-WAY WHICH ARE IN DIRECT CONFLICT WITH PROPOSED NEW CONSTRUCTION SHALL BE REMOVED BY THE CONTRACTOR WITH THE ENGINEER'S APPROVAL. TREES AND SHRUBS WHICH ARE NOT IN DIRECT CONFLICT WITH PROPOSED NEW CONSTRUCTION SHALL BE SAVED AND PROTECTED FROM DAMAGE.
- THE CONTRACTOR SHALL GIVE ALL PROPERTY OWNERS AND/OR TENANTS OF DEVELOPED PROPERTY ADEQUATE NOTICE OF THE CONSTRUCTION OF THIS PROJECT A MINIMUM OF TEN (10) DAYS NOTICE PRIOR TO START OF CONSTRUCTION.
- THE CONTRACTOR SHALL BE RESPONSIBLE FOR PRESERVING PROPERTY IRONS. THE CONTRACTOR WILL BE REQUIRED TO RE-ESTABLISH ANY PROPERTY IRONS WHICH ARE DAMAGED OR DESTROYED BY HIS CONSTRUCTION OPERATIONS. SUCH IRONS SHALL BE RE-ESTABLISHED BY A LICENSED LAND SURVEYOR IN ACCORDANCE WITH STATE LAWS.
- THE WATER DISTRIBUTION DIVISION SHALL FIELD LOCATE WATER VALVES ONE TIME DURING CONSTRUCTION WHEN REQUESTED BY THE CONTRACTOR. IT SHALL BE THE CONTRACTOR'S RESPONSIBILITY TO PRESERVE SUCH FIELD LOCATIONS DURING THE CONSTRUCTION PROCESS. WATER VALVES, VALVE BOXES OR FIRE HYDRANTS DAMAGED DURING CONSTRUCTION SHALL BE REPAIRED BY CONTRACTOR AT HIS OWN EXPENSE. VALVE BOXES AND WATER METERS WITHIN THE PROJECT LIMITS SHALL BE ADJUSTED TO MATCH FIELD GRADES.
- IF TRAFFIC WILL BE IMPACTED BY CONSTRUCTION, A TRAFFIC CONTROL PLAN MUST BE SUBMITTED AND APPROVED BY THE CITY TRAFFIC ENGINEER, BRIAN COON AT traffic@wichita.gov BEFORE CONSTRUCTION CAN BEGIN. THE CONTRACTOR SHALL BE RESPONSIBLE FOR ALL TRAFFIC CONTROL MEASURES TO FACILITATE CONSTRUCTION. ALL CONSTRUCTION ZONE MARKINGS AND SIGNAGE SHALL CONFORM TO THE LATEST VERSION OF THE MANUAL ON UNIFORM TRAFFIC CONTROL DEVICES (MUTCD) AS PUBLISHED BY THE US DEPT. OF TRANSPORTATION, FEDERAL HIGHWAY ADMINISTRATION. ALL COSTS ASSOCIATED WITH CONSTRUCTION MARKINGS AND SIGNAGE SHALL BE THE CONTRACTORS RESPONSIBILITY.
- ALL AREAS DISTURBED DURING CONSTRUCTION THAT WILL NOT BE UNDER PROPOSED PAVEMENT SHALL BE SEEDED AND MULCHED. COST SHALL BE CONSIDERED SUBSIDIARY TO PROJECT SEEDING.
- CONTRACTOR SHALL LIMIT THE EXTENT OF TRENCH OPEN OVERNIGHT AND WEEKENDS TO LESS THAN 50 FEET.
- EXISTING UTILITIES AND THEIR LOCATION, AS SHOWN ON THE PLANS REPRESENT THE BEST INFORMATION OBTAINABLE FOR DESIGN. LOCATION INFORMATION HAS BEEN OBTAINED FROM THE VARIOUS COMPANIES AND IS EITHER FROM COMPANY UTILITY DRAWINGS OR COMPANY PROVIDED FIELD LOCATIONS. THE PLAN LOCATIONS SHOWN ARE NOT GUARANTEED. ADDITIONAL EXISTING UTILITIES MAY ALSO BE ENCOUNTERED.
- OPENING AND CLOSING OF WATER VALVES SHALL BE DONE SLOWLY TO PREVENT DAMAGE TO THE WATER DISTRIBUTIONS SYSTEM FROM WATER HAMMER. ALL VALVES CLOSED BY THE CONTRACTOR MUST BE REOPENED AS NEW CONSTRUCTION PERMITS. THE PROJECT INSPECTOR MUST ASCERTAIN THAT ANY VALVE CLOSED BY THE CONTRACTOR IS REOPENED. THE CONTRACTOR WILL BE PERMITTED TO OPERATE WATER VALVES ONLY WHEN THE PROJECT INSPECTOR ASSIGNED TO THE PROJECT IS PRESENT.
- THE CONTRACTOR SHALL LAY A TRACER WIRE AND SET TEST STATIONS ALONG ALL WATER PIPE INSTALLED IN ACCORDANCE WITH CITY SPECIFICATIONS AND TRACER WIRE DETAIL ON DETAIL SHEET WL-101, COST IS SUBSIDIARY TO PIPE INSTALLATION.
- THE CONTRACTOR SHALL PROVIDE MATERIALS FOR TEMPORARY BLOWOFF OF WATERLINES. CONNECTIONS TO THE EXISTING WATERLINE(S) SHALL BE MADE WITH CLEAN, SWABBED PIPE AND FLUSHED UPON COMPLETION OF TIE-INS.
- DEFLECTIONS AT PIPE JOINT OR COUPLINGS SHALL NOT EXCEED THE PIPE MANUFACTURER'S RECOMMENDED MAXIMUM. WHERE DEFLECTIONS ARE GREATER THAN THE MAXIMUM ALLOWED, THE CONTRACTOR SHALL UTILIZE CIMJ LONG SLEEVE OR MULTIPLE JOINTS.
- ANY EXISTING JOINT EXPOSED DURING EXCAVATION SHALL BE REPLACED IF WITHIN FOUR FEET OF PROPOSED JOINT.
- THE CONTRACTOR SHALL PROTECT FROM DAMAGE AND SUPPORT EXISTING UTILITIES THROUGH CONSTRUCTION AS APPROVED BY THE UTILITY OWNER AND THE ENGINEER AT THE CONTRACTOR'S EXPENSE.
- ALL TRAFFIC CONTROL DEVICES IN THE WORK ZONE (INCLUDING MARKINGS AND SIGNS) AND THEIR INSTALLATION AND MAINTENANCE SHALL COMPLY WITH THE LATEST EDITION OF THE MANUAL ON UNIFORM TRAFFIC CONTROL DEVICES (MUTCD). ALL TRAFFIC CONTROL DEVICES IN THE TRAVELED WAY OR CLEAR ZONE SHALL BE CRASHWORTHY (NCHRP REPORT 350 OR MASH COMPLIANT). <http://safety.fhwa.dot.gov/roadwaydept/policy/guide/roadhardware/wzt>
- ALL CONSTRUCTION EQUIPMENT, INCLUDING VEHICLES, MATERIALS, AND DEBRIS, SHALL BE STORED OUTSIDE OF THE CLEAR ZONE. WHERE THIS CANNOT BE ACHIEVED THE CONTRACTOR SHALL PLACE APPROPRIATE SIGNS, OBJECT IDENTIFIERS, AND/OR BARRICADES IN COMPLIANCE WITH MUTCD.
- EXCEPT WHEN REQUIRED FOR SAFETY, TRAFFIC CONTROL SHALL NOT BLOCK ANY LANES OR SIDEWALKS WHEN WORK IS NOT BEING PERFORMED.

PROJECT NOTES

- CONTRACTOR SHALL COORDINATE DIRECTIONAL DRILL AT 47TH STREET WITH THE FOLLOWING:
 - DEREK ACKERMAN WITH KANSAS GAS SERVICE, EMAIL: DEREK.ACKERMAN@ONEGAS.COM
 - ANDREW BUCHANAN, SOUTHERN STAR, PHONE 316.529.6603, EMAIL: ANDREW.D.BUCHANAN@SSCGP.COM
 - GREG LOLLEY, CITY OF WICHITA, PHONE 316.268.4334, EMAIL: G.LOLLEY@WICHITA.GOV
- BNSF RAIL CROSSING AT K-15
 - CITY OF WICHITA PAID RAILROAD LIABILITY INSURANCE VIA CHECK SUBMITTED TO BNSF ON 4-26-16. CONTRACTOR IS NOT RESPONSIBLE FOR RAILROAD LIABILITY INSURANCE
 - A FULLY EXECUTED COPY OF THE PIPELINE LICENSE AGREEMENT BETWEEN THE CITY OF WICHITA AND BNSF RAILWAY COMPANY MUST BE AVAILABLE UPON REQUEST AT THE JOB SITE. THIS AGREEMENT ALLOWS AUTHORIZATION FOR CONSTRUCTING THE NEW PIPELINE CROSSING UNDER THE BNSF RAILWAY.
 - CONTACT THE BNSF ROADMASTER AT TELEPHONE 316.284.3479 (OFFICE) OR 806.672.8819 (CELL) TEN (10) DAYS IN ADVANCE OF THE START OF CONSTRUCTION.
- CONTRACTOR IS RESPONSIBLE TO OBTAIN HIGHWAY PERMIT(S) FROM SEDGWICK COUNTY PRIOR TO THE COMMENCEMENT OF CONSTRUCTION. THE INITIAL CONTACT WITH THE COUNTY IS MR. LYNN PACKER, 316.660.1766 (O), 316.371.5099 (CELL), LPACKER@SEDGWICK.GOV.
- CLIFTON SOUTH OF 55TH STREET SOUTH WILL BE CLOSED TO THROUGH TRAFFIC FROM APPROXIMATELY MID-AUGUST THROUGH APPROXIMATELY THE FIRST WEEK OF NOVEMBER FOR THE REPLACEMENT OF A DRAINAGE CULVERT.
- FOR THE DURATION OF THE WORK NEAR OR WITHIN THE ARKANSAS RIVER LEVEES THE CONTRACTOR SHALL BE AWARE THAT FLOOD FIGHTING AND LEVEE OPERATIONS WILL TAKE PRECEDENT OVER CONSTRUCTION ACTIVITY. SHOULD FLOOD FIGHTING BECOME NECESSARY THE CONTRACTOR MAY BE REQUIRED TO CEASE CONSTRUCTION ACTIVITY, PROVIDE TEMPORARY VEHICULAR ACCESS WAYS ALONG THE LEVEE, AND / OR REMOVE MATERIALS AND EQUIPMENT.
- THE CONTRACTOR INSTALLING THE WATERLINE SHALL TAKE CARE THAT EXISTING UNDERGROUND ELECTRICAL LINES ARE NOT DAMAGED WHEN BACKFILLING IS PERFORMED. NO ROCKS OR SHARP OBJECTS THAT CAN DAMAGE THE UNDERGROUND ELECTRICAL LINES SHOULD BE PLACED IN THE BACKFILL. IF THE CONTRACTOR FEELS THE NEED TO HAVE WESTAR ENERGY ON SITE WHEN WORKING AROUND THESE LOCATIONS, CONTACT JASON PATTY, 316.261.6212.
- IN THE EVENT UNEXPECTED CIRCUMSTANCES ARE ENCOUNTERED DURING CONSTRUCTION, SUCH AS THE DISCOVERY OF ABANDONED OIL, GAS, OR EXPLORATORY HOLES OR LEAD LINES, CONTACT JEFF KLOCK WITH THE KANSAS CORPORATE COMMISSION AT 316.630.4000.
- PRIOR TO PRESSURE TESTING, CONTRACTOR SHALL FLUSH THE 12" RE-USE WATER PIPELINE TO REMOVE ANY DIRT AND CONSTRUCTION DEBRIS. PIPELINE MAY BE FLUSHED WITH TREATED EFFLUENT WATER FROM THE CITY'S WASTEWATER PLANT NO. 2. EFFLUENT WATER USED FOR FLUSHING PIPELINE MUST BE DISCHARGED INTO A CITY OF WICHITA SANITARY SEWER MANHOLE.
- SEEDING AND SODDING OPERATIONS SHALL BE IN ACCORDANCE WITH THE CITY OF WICHITA STANDARD SPECIFICATION SECTION 902 & 903, RESPECTIVELY.
- ALL AREAS DISTURBED BY CONSTRUCTION THAT ARE ADJACENT TO DESIGNATED PROPERTIES WITHIN THE PLANS SHALL BE RESTORED WITH SOD TO MATCH EXISTING TURF TYPE. RESTORATION OF DISTURBED AREAS SHALL INCLUDE, BUT NOT BE LIMITED TO, TOP SOIL PREPARATION, SODDING, & REPLACEMENT OF IRRIGATION SYSTEM AS NECESSARY. ALL SODDING WORK SHALL BE IN ACCORDANCE WITH CITY STANDARD SPECIFICATIONS AND THE CITY ADMINISTRATIVE REGULATION NO. AR6.5, WHICH GOVERNS CLEANUP AND RESTORATION OR REPLACEMENT FOLLOWING CONSTRUCTION. THE "RECAPITULATION OF QUANTITIES" SHOWS THE ESTIMATED SQUARE YARDS OF SODDING, WITH A BID ITEM FOR THE SAME. WHEN THE WEATHER/SEASON PREVENTS THE INSTALLATION OF SOD, THE CONTRACTOR SHALL BE RESPONSIBLE FOR INSTALLING EROSION CONTROL BLANKET (CURLX I, OR APPROVED EQUAL) AT THE BACK OF CURB (8' WIDE MINIMUM). ALL COSTS FOR THIS WORK SHALL BE SUBSIDIARY TO SODDING BID ITEM.
- THE CONTRACTOR SHALL RESEED ALL AREAS DISTURBED BY CONSTRUCTION AND NOTED AS SEEDING WITH A MIXTURE OF RYEGRASS (APPLIED AT A RATE OF 50 LBS. PER ACRE) AND BUFFALO GRASS (APPLIED AT A RATE OF 200 LBS. PER ACRE). PURE NITROGEN FERTILIZER SHALL ALSO BE APPLIED AT A RATE OF 1.5 LBS. PER THOUSAND SQUARE FEET. THE SEED SHALL BE WATERED WITH A DEEP SOAKING EVERY TWO (2) WEEKS DURING DRY PERIODS UNTIL A MATURE STAND OF GRASS IS OBTAINED. THE "RECAPITULATION OF QUANTITIES" SHOWS THE ESTIMATED SQUARE YARDS OF DISTURBED AREA TO BE SEEDED, WITH A BID ITEM FOR THE SAME. THE PERMANENT SEEDING MAY BE OMITTED ONLY IF SODDING IS REQUIRED. THE CONTRACTOR SHALL BE RESPONSIBLE FOR INSTALLING EROSION CONTROL BLANKET (CURLX I, OR APPROVED EQUAL) AT THE BACK OF CURB, TO AND INCLUDING THE LIMITS OF ALL SEEDED AREAS. ALL COSTS FOR THIS WORK SHALL BE SUBSIDIARY TO THE SEEDING BID ITEM.
- DISTURBED AREAS DESIGNATED SEEDING (LEVEE) SHALL BE SEEDED WITH "PRAIRIE 3 PLUS" GRASS MIXTURE. SEED SHALL BE DRILLED AT A RATE OF 10 PLS LBS./ACRE. BROADCAST SEEDING WITH AN APPROVED BROADCASTING GRASS SEEDER MAY BE REQUIRED IN AREAS WHERE IT IS IMPOSSIBLE TO OPERATE A DRILL. IF A BROADCAST SEEDING IS REQUIRED, SEED AT A RATE OF 1.5 PLS LBS./3,000 SQ. FT. FERTILIZER IS NOT NECESSARY AND MULCHING SHALL BE AS PER CITY OF WICHITA STANDARD SPECIFICATION SECTION 902. PLANT SEED BETWEEN SEPTEMBER 1ST AND OCTOBER 15TH. DEVIATION FROM THE PLANTING PERIOD WILL ONLY BE PERMITTED WITH APPROVAL FROM THE OWNER'S REPRESENTATIVE. ALL COSTS ASSOCIATED WITH THIS WORK SHALL BE SUBSIDIARY TO THE SEEDING LEVEE BID ITEM.
- SEED SUPPLIER SHALL FURNISH A CERTIFIED STATEMENT FOR THE SEED STATING THE PURITY PERCENTAGE, GERMINATION PERCENT, AND THE SPROUTABLE SEED PERCENT. "PRAIRIE 3 PLUS" GRASS MIXTURE IS AVAILABLE AT THE FOLLOWING LOCATION:
STOCK SEED FARMS
28008 MILL ROAD
MURDOCK, NE 68407
TEL: 1-800-759-1620
WWW.STOCKSEED.COM
- CONTRACTOR SHALL PROVIDE TEMPORARY COVER CROP WITHIN 20 DAYS OF NO ACTIVITY WHEN SEEDING DATES ARE OUTSIDE THE PREFERRED OR ACCEPTABLE PLANTING DATES. THE TEMPORARY COVER CROP SHALL BE ESTABLISHED WITH "REGREEN" STERILE WHEAT (OR APPROVED EQUAL) AT 30 LBS PER ACRE.
- SEE THE EROSION CONTROL PLANS FOR SCHEDULE OF SEEDING AND SODDING AREAS.
- 12" RE-USE PIPELINE SHALL BE CONSTRUCTED OUT OF PIPE MATERIAL IN ACCORDANCE WITH CITY OF WICHITA, KANSAS STANDARD SPECIFICATIONS FOR WATER PIPE. HOWEVER, PVC PIPE SHALL BE COLORED PURPLE INDICATING IT IS RE-USE, OR NON-POTABLE WATER.

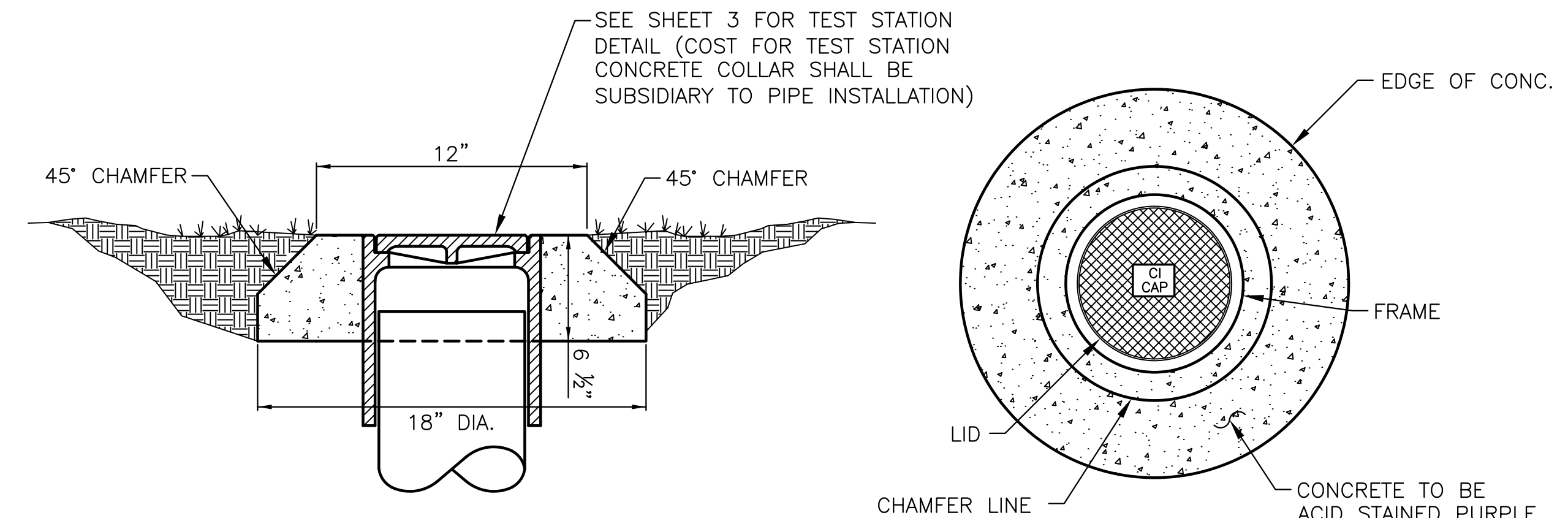
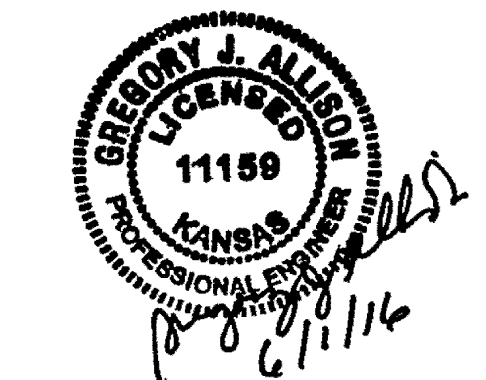
2" REFLECTORIZED TAPE (PURPLE),
2" SPACING. MIN. 2 ROTATIONS

3" NOMINAL DIA. STD. WT. GALV.
STEEL PAINTED WHITE PIPE FILLED
W/CONCRETE PROVIDE DOMED
CONCRETE FINISH TO SHED WATER



PIPELINE MARKER DETAIL

NOT TO SCALE



TEST STATION CONCRETE COLLAR

NOT TO SCALE



CITY OF WICHITA, KS
12" RE-USE WATER PIPELINE
 TO SERVE SPIRIT AEROSYSTEMS

©2016 MKEC Engineering All Rights Reserved
www.mkec.com
These drawings and their contents, including, but not limited to, all concepts, designs, & ideas are the exclusive property of MKEC Engineering (MKEC), and may not be used or reproduced in any way without the express consent of MKEC.

PROJECT NOTES & DETAILS

PROJECT NO.	468-85095	
DATE	APRIL 2016	
SCALE	NTS	
DESIGNED	DRAWN	CHECKED
DFL	JWC	MAB
0	ISSUED FOR CONST.	06/01/16
NO.	REVISION	DATE

SHEET NO.

PLOTTED: Thursday, June 02, 2016 @ 10:29AM
 J:\PROJECTS\2016\1501010623_COW_REUSE_WATER_SUPPLY_SYSTEM\SYSTEM_150623_CAD\SHOTS\05_CIVIL\WTR15025-CT-02.DWG