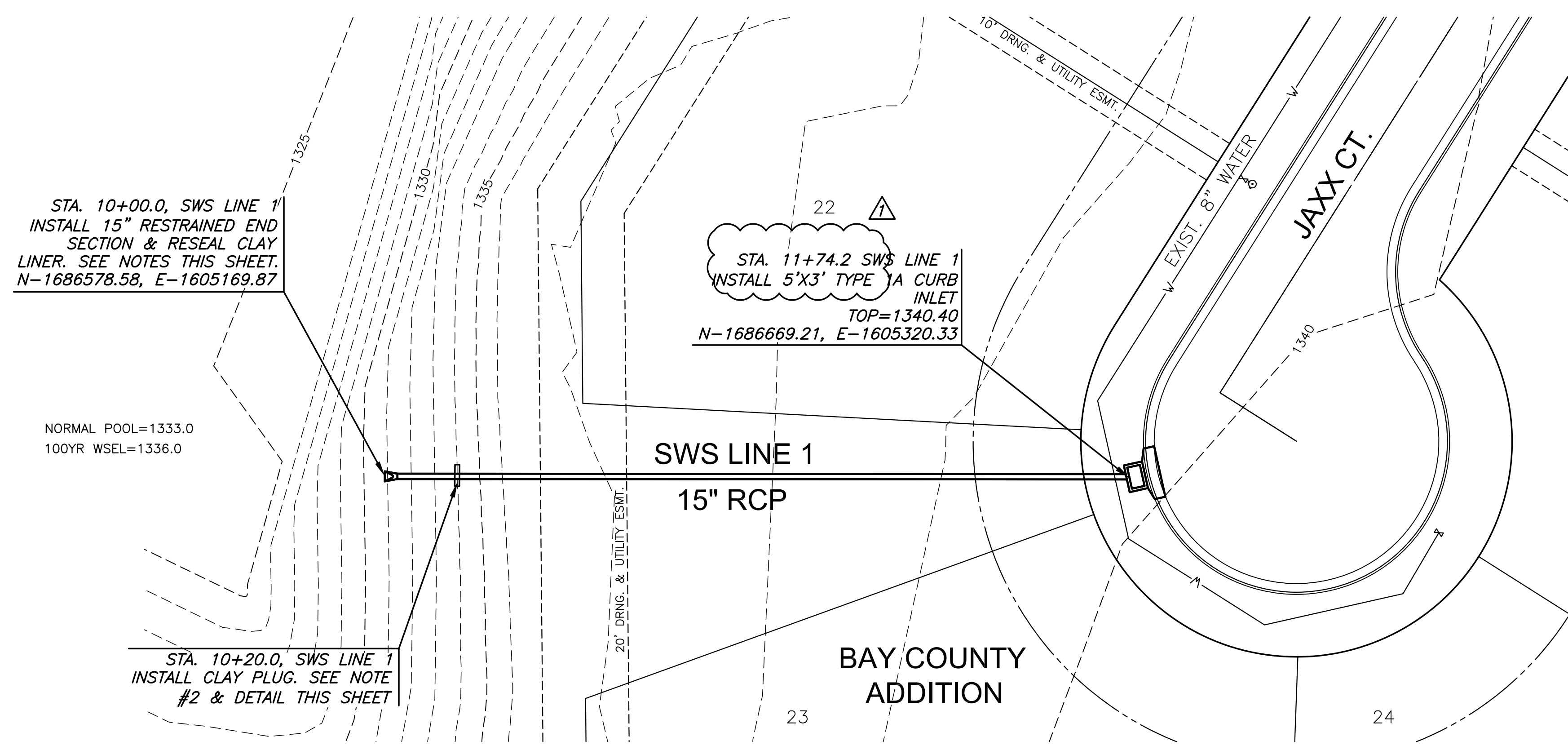


©2016 MKEC Engineering  
All Rights Reserved  
www.mkec.com  
These drawings and their contents, including, but not limited to, all concepts, designs, & ideas are the exclusive property of MKEC Engineering (MKEC), and may not be used or reproduced in any way without the express consent of MKEC.

**SWS LINE 1**

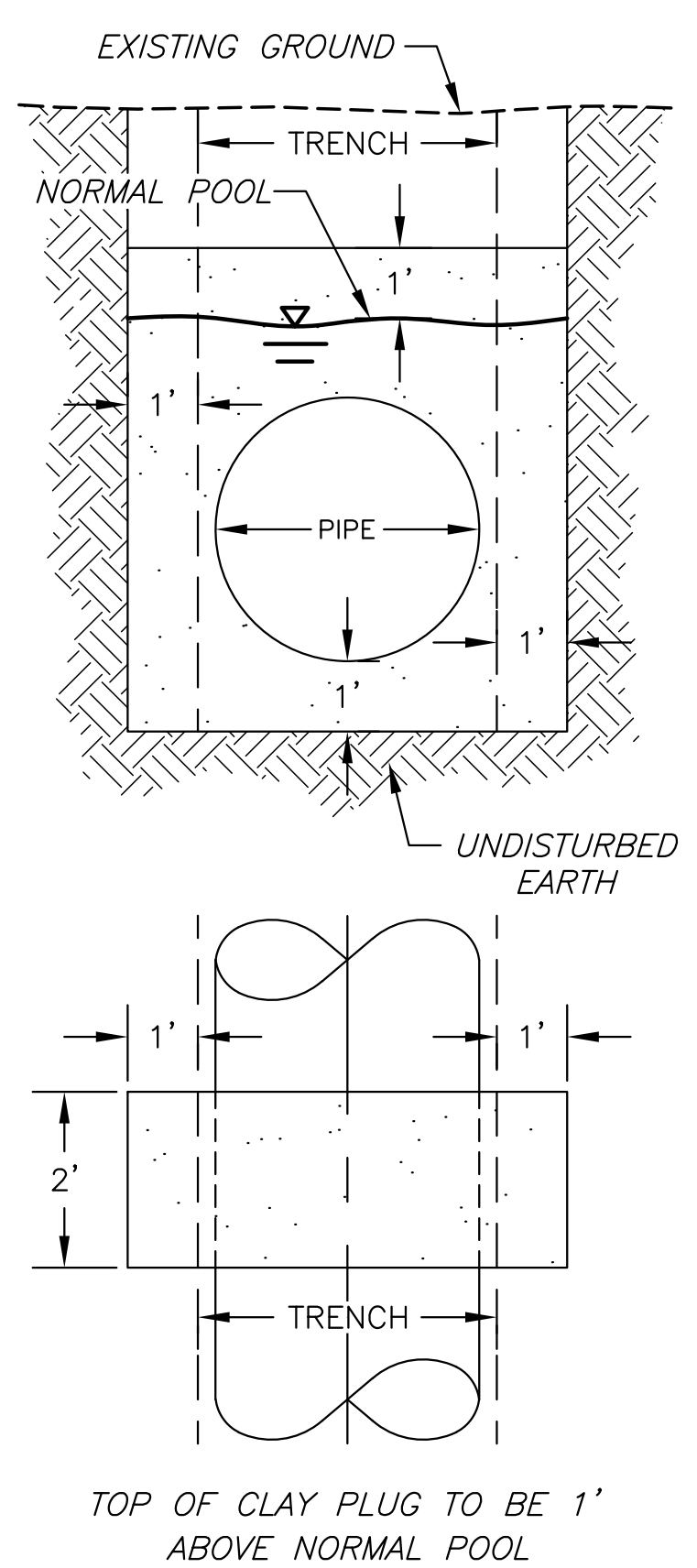
PROJECT NO.	472-85104			
DATE	JUNE 2016			
SCALE	1"=20'			
DESIGNED	DRAWN	CHECKED		
SPE	CRM	SPE		
NO.	1	REVISION	7-14-16	DATE

SHEET NO.



- NOTES:**
1. RESEAL CLAY LINER FROM THE BOTTOM OF TRENCH TO TOP OF NORMAL POOL. CLAY LINER TO BE 18" THICK AND COMPACTED TO 95% STD. DENSITY. ENSURE CLAY LINER IS SEALED AROUND END SECTION. COST SUBSIDIARY TO "PIPE, SWS 15".
  2. CLAY PLUG & CLAY LINER SHALL USE CLAY WITH A PI>18.
  3. END SECTION & FIRST SECTION OF 15" RCP TO BE INSTALLED ON 12" CLAY LINER. DO NOT INSTALL END ON AGGREGATE BEDDING. COST SUBSIDIARY TO "PIPE, SWS 15".
  4. CLAY PLUG COST TO BE SUBSIDIARY TO "PIPE, SWS 15".
  5. CONTRACTOR MAY PUMP DOWN EXISTING POND ONLY AS NECESSARY TO CONSTRUCT SWS LINE 1. COST SUBSIDIARY TO "SITE CLEARING".

**CLAY DRAIN PLUG DETAIL**



**PLAN SWS LINE 1 PROFILE SWS LINE 1**

