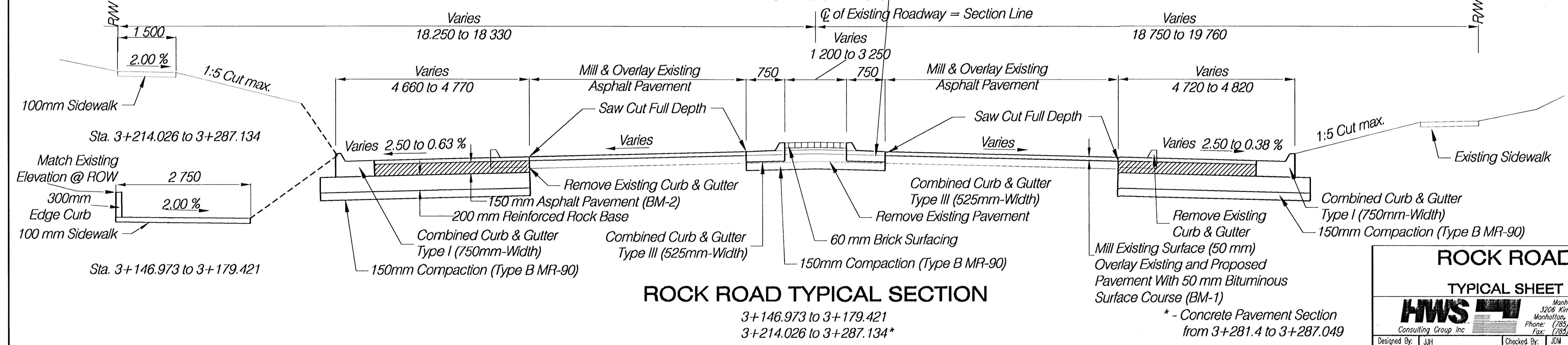
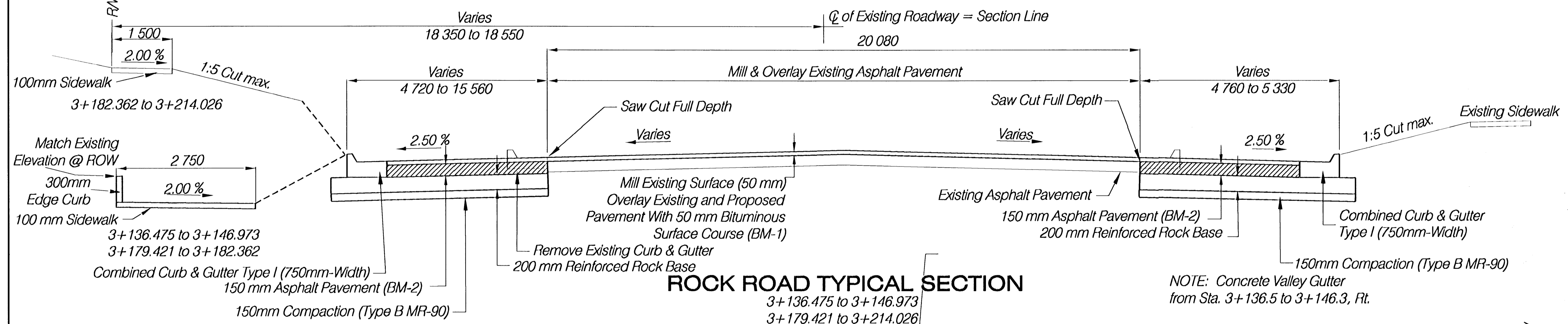
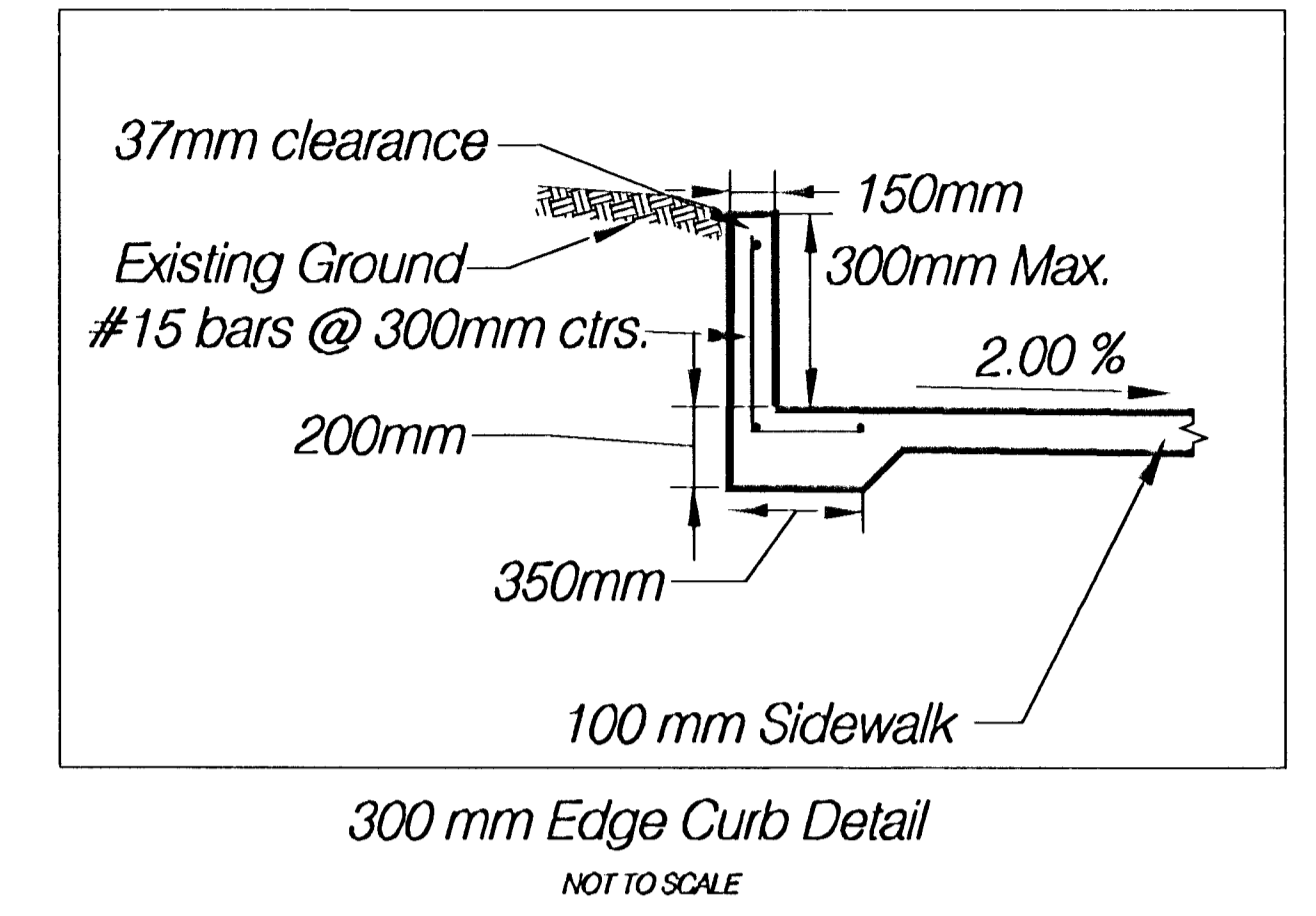
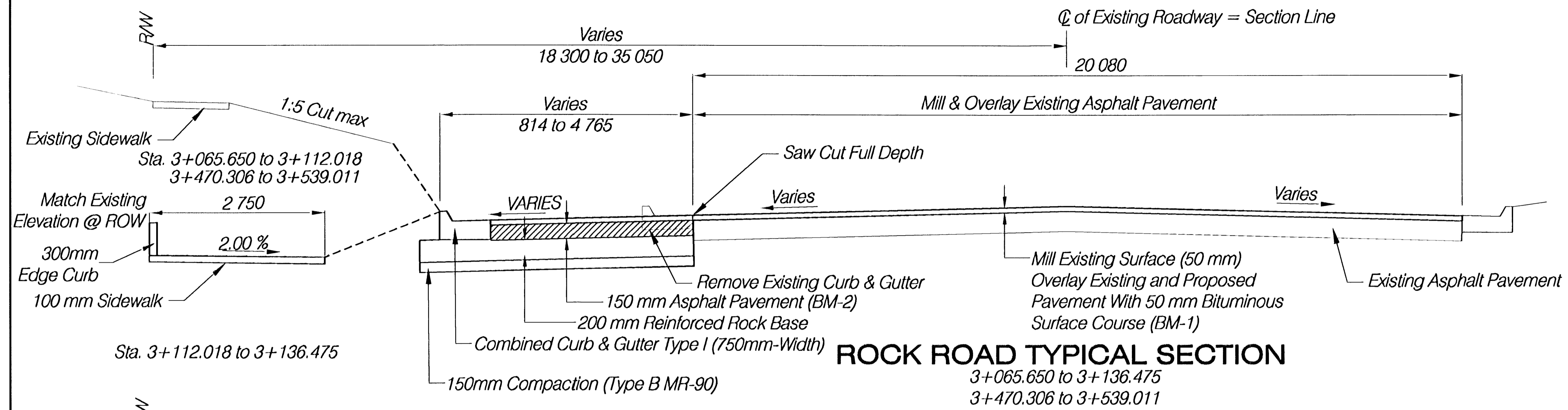


FHWA REG NO.	STATE	PROJECT NO.	YEAR	SHEET NO.	TOTAL SHEETS
7	KANSAS	N 87-0198-01	2001	3	82

FED. AID NO. - CMQ-N019(801)



ROCK ROAD TYPICAL SHEET

HWS Consulting Group Inc.

Manhattan Office
 3206 Kimball Avenue
 Manhattan, KS - 66503
 Phone: (785) 539-2202
 Fax: (785) 539-2393

Designed By: JJH
 Drawn By: JJH
 Checked By: JDM
 Date: _____
 Job No. 55-70-2003