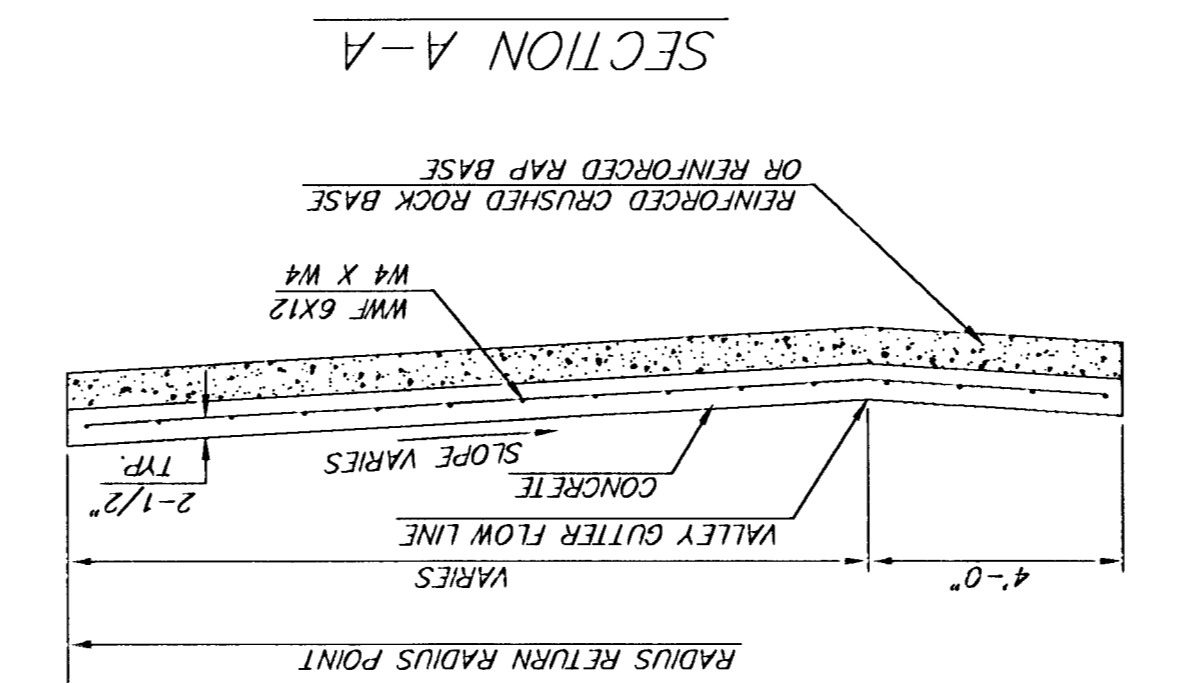
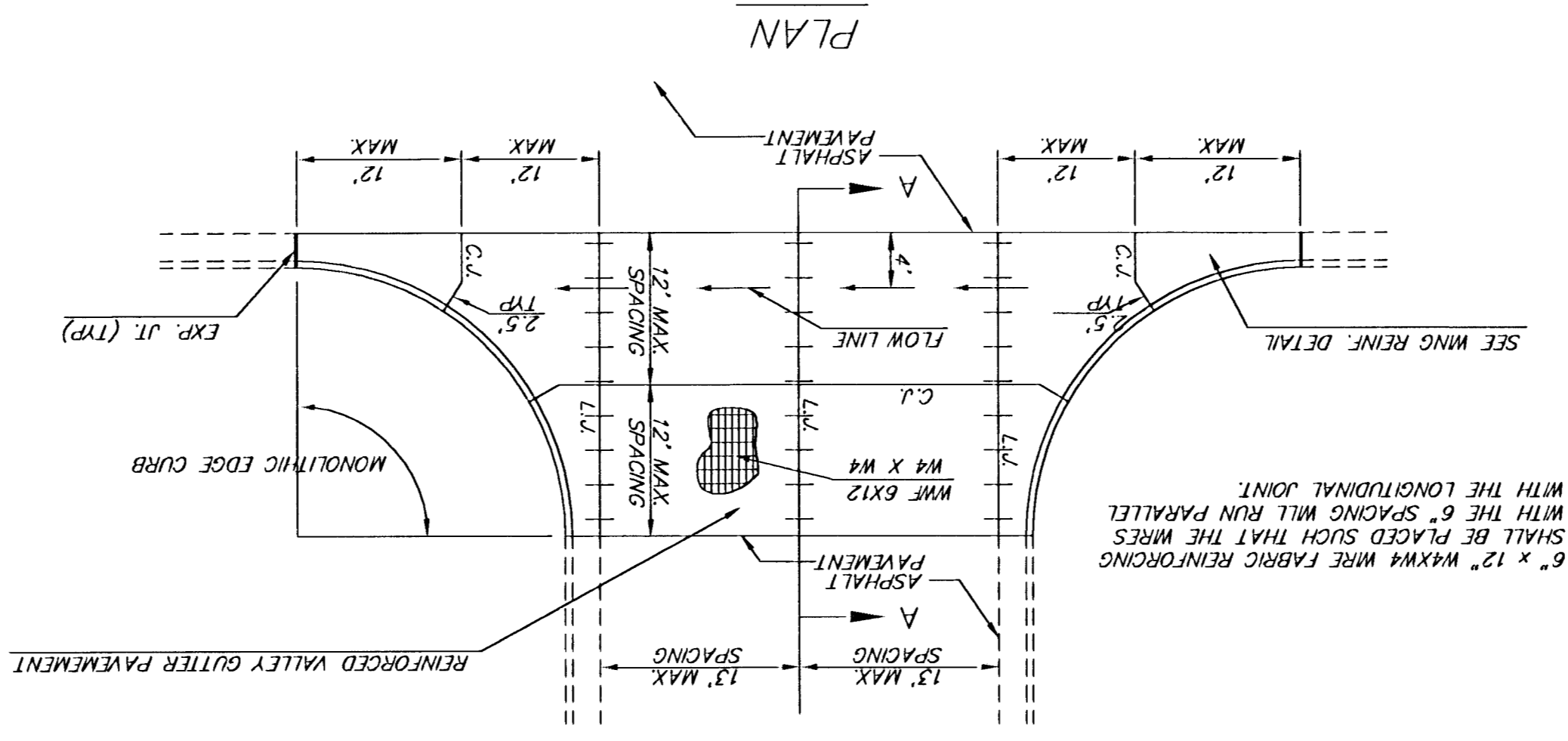
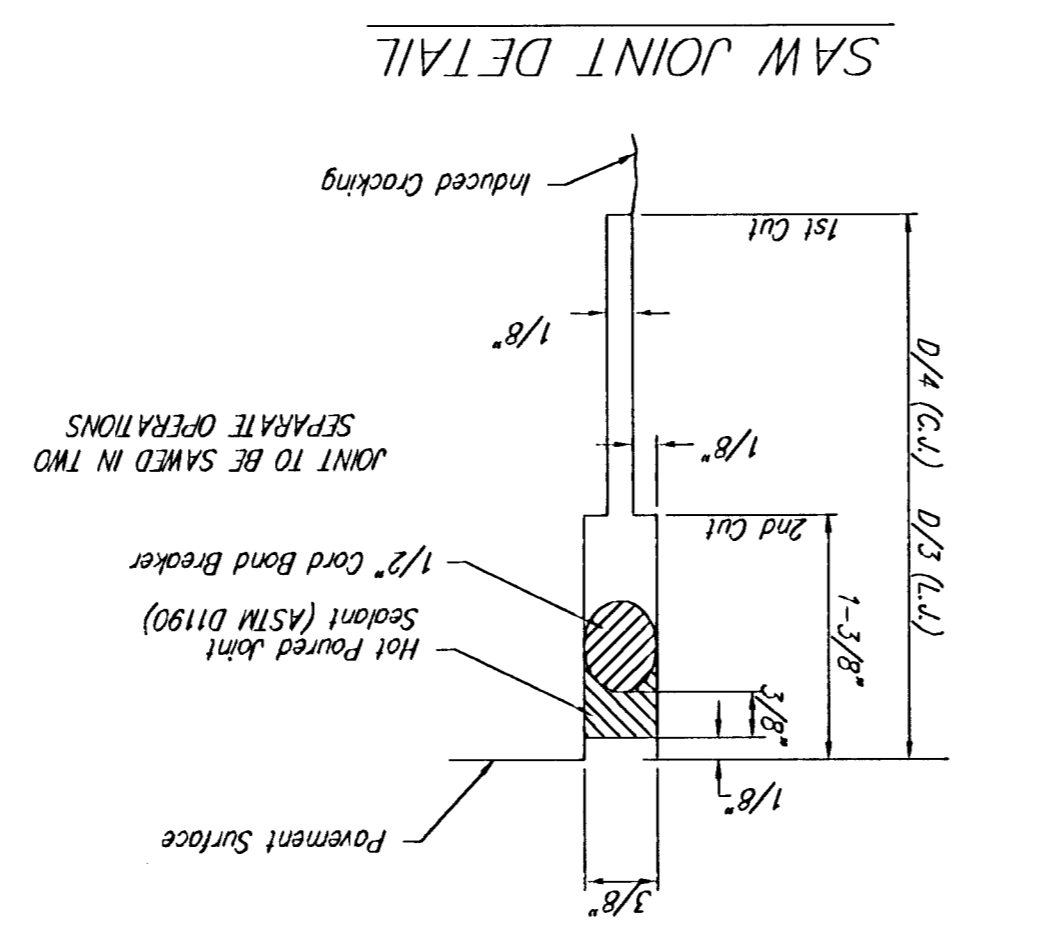
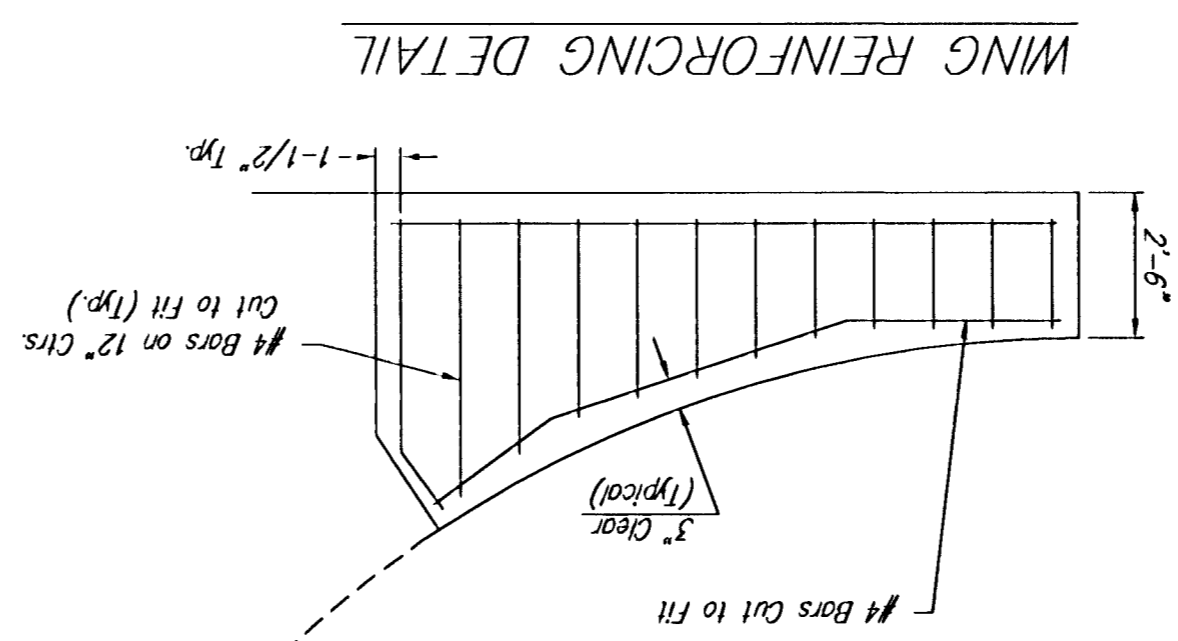
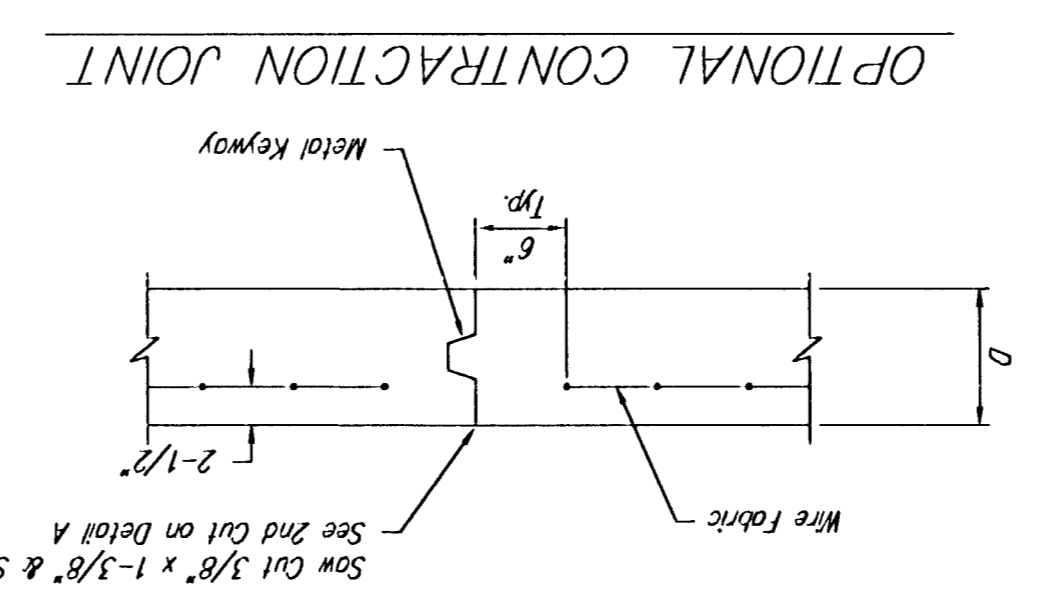
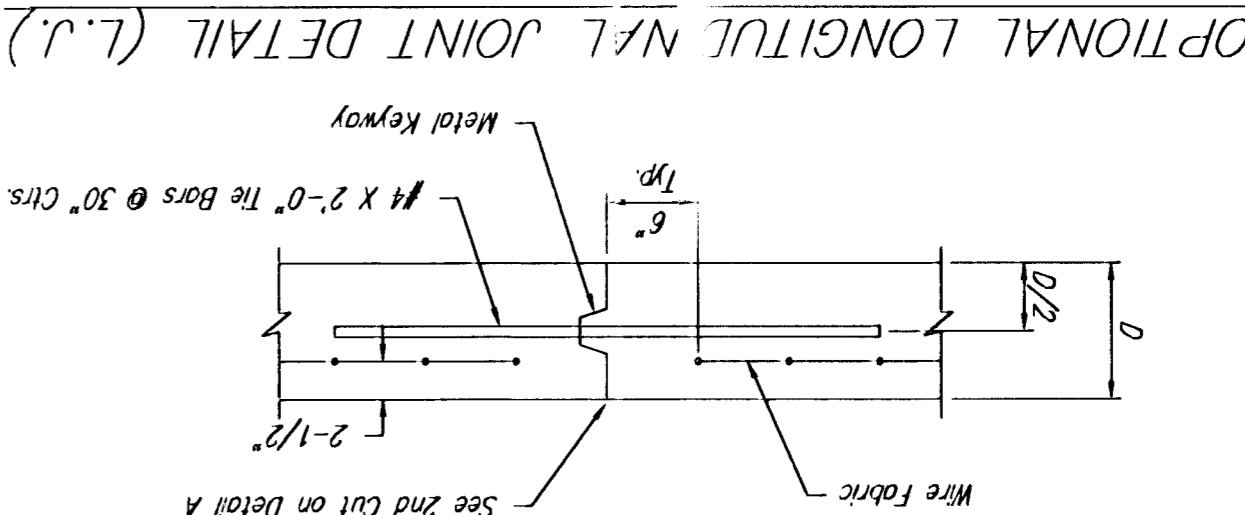
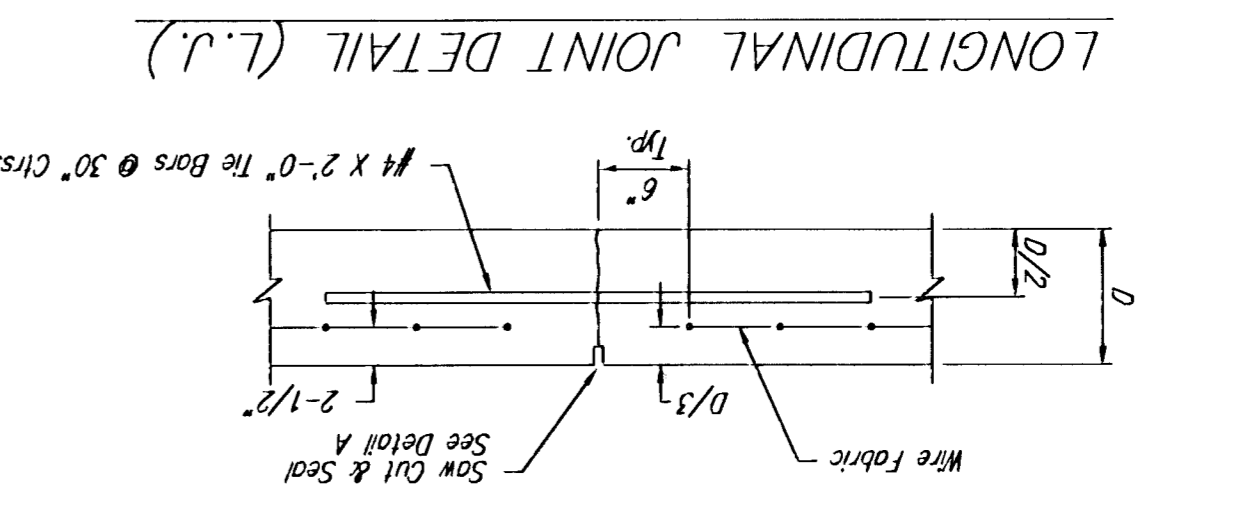
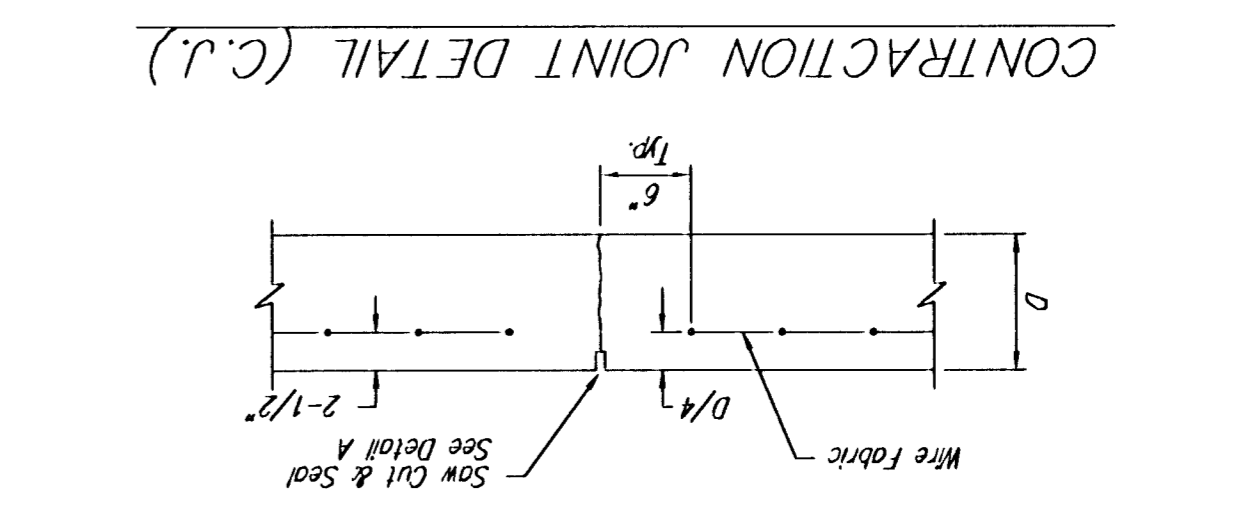
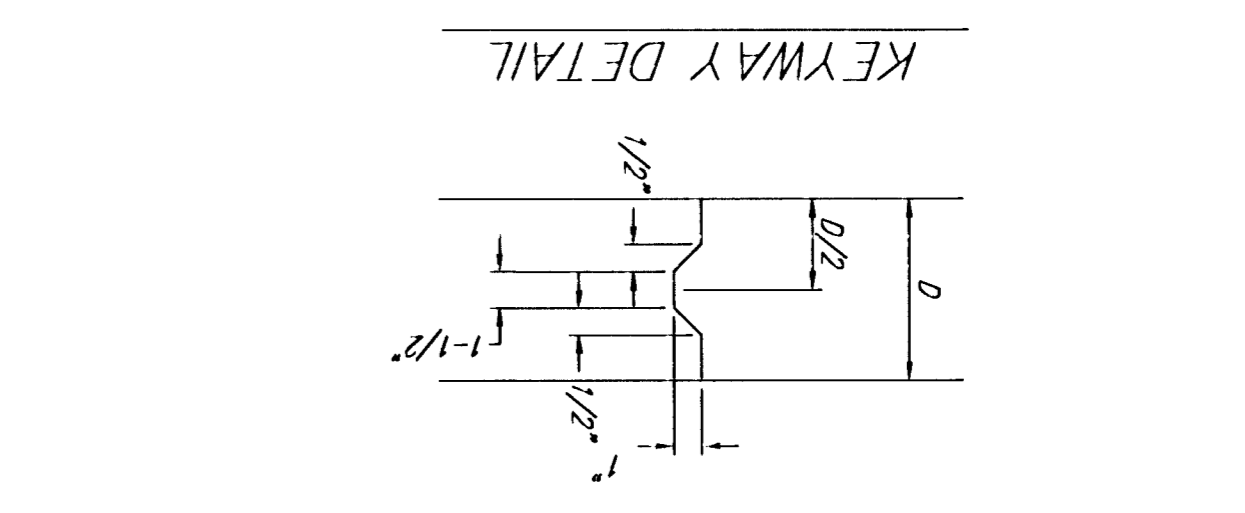
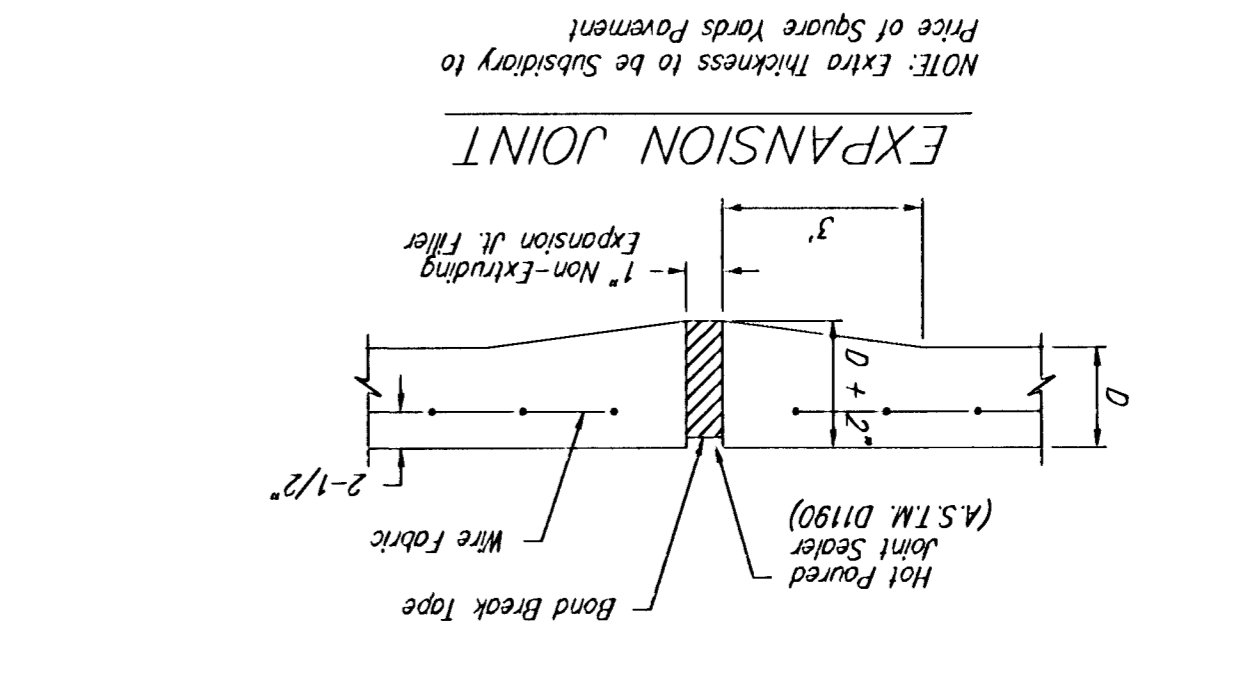
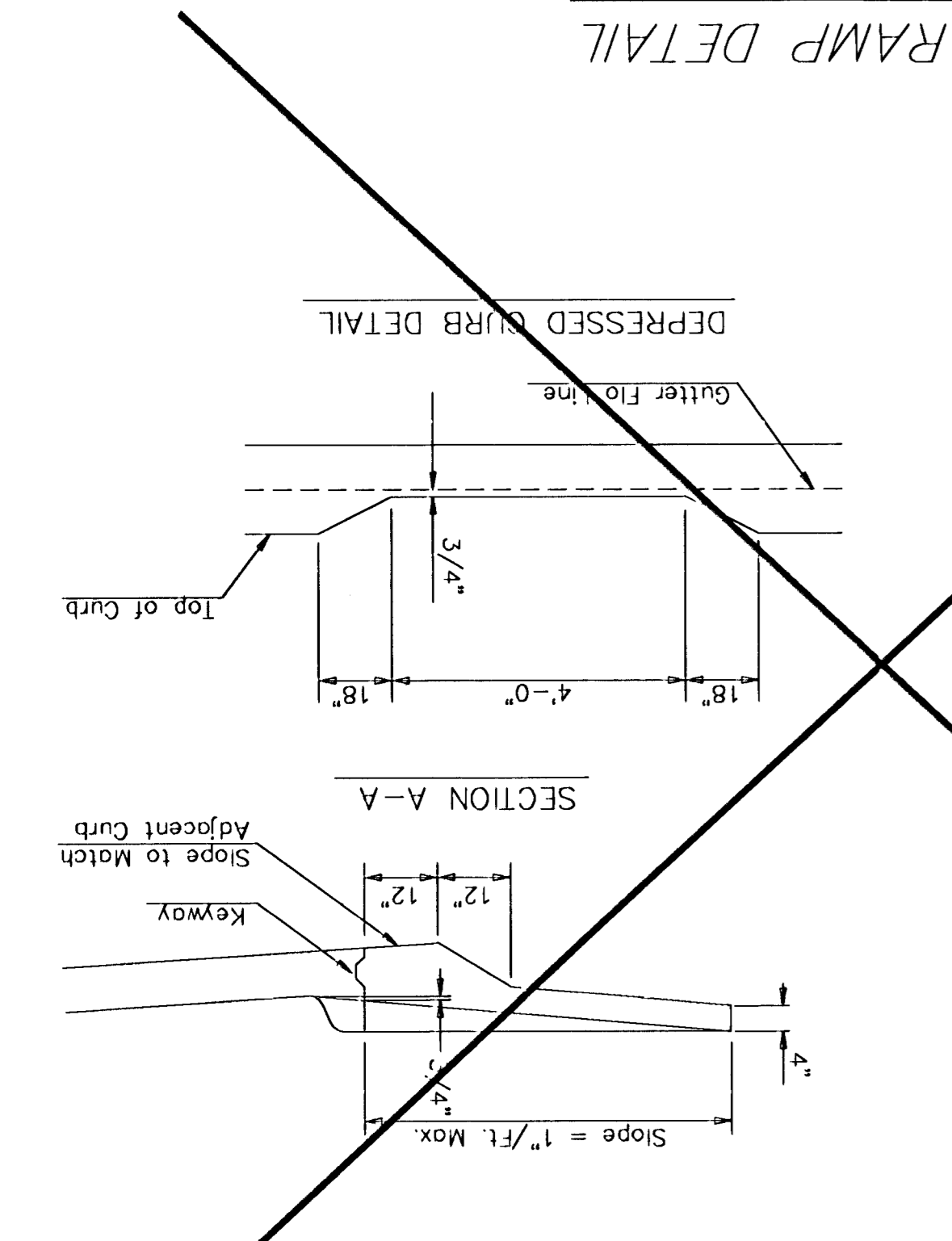
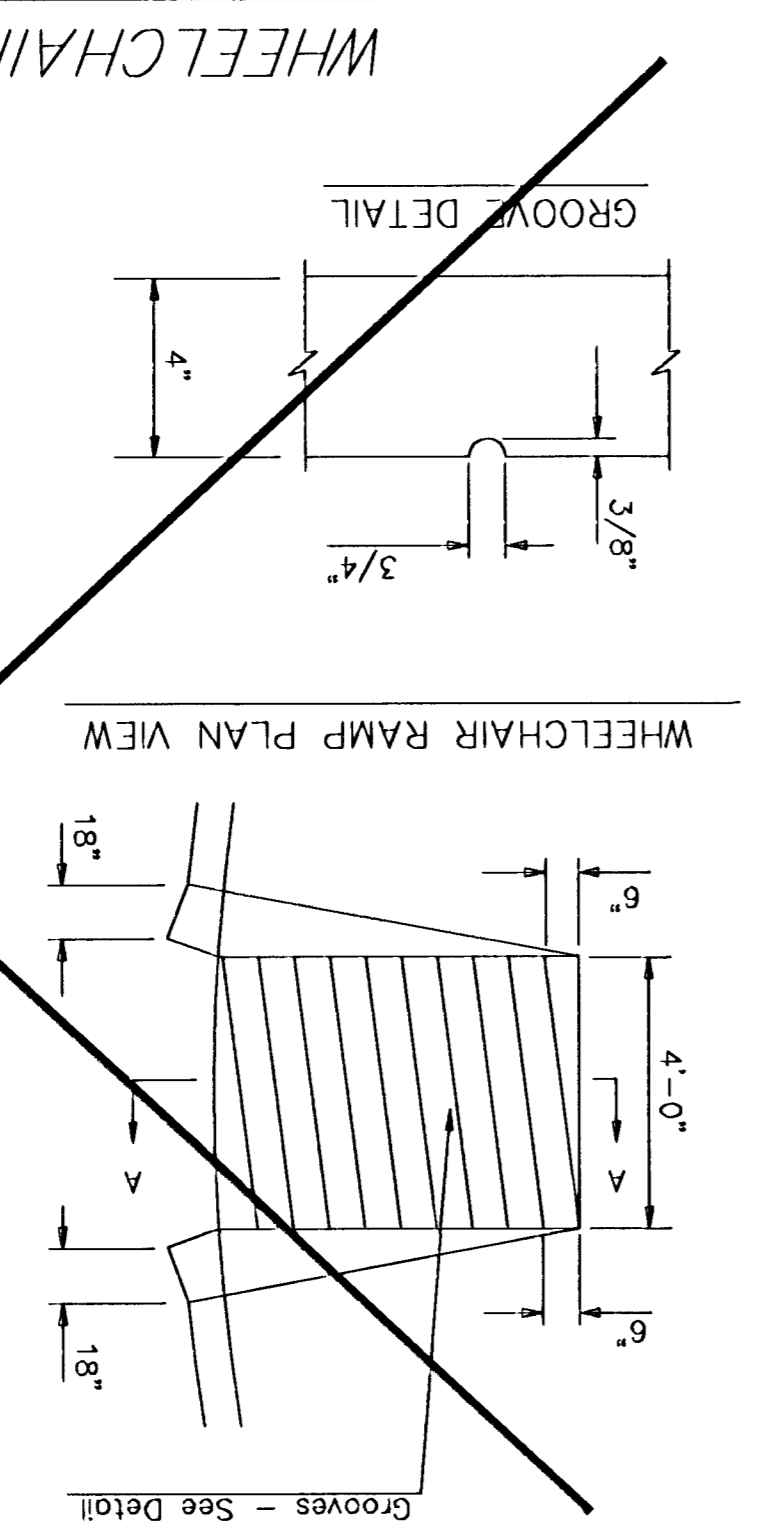


17-0603(55)20003(1)-06 (Rev. 11/2001) WCH11A-573 VALLEY GUTTER DWG 09/17/01 11:26:28 AM CDT



REINFORCED VALLEY GUTTER DETAIL



WHEELCHAIR RAMP DETAIL



WHEELCHAIR RAMP DETAILS
 VALLEY GUTTER DETAILS

M. E. LINDBERK P.E. - CITY ENGINEER
 PROJECT NUMBER
 WDEK CODE

MAR 96
 SHEET 12 OF 82