

NOTE: Contractor shall have the option of constructing 200mm brick masonry walls between the concrete inlet base and top on this inlet when W=1.90m and H=2.10m or less.

Additional curb and gutter construction necessary to connect set-back inlet to pavement will be paid for at the unit price bid for each inlet hookup.

Inlet invert shall be shaped with 8 sack sand mix concrete to create flow channels and to increase hydraulic efficiency such that the inlet will be self-cleaning between all inlet and/or outlet pipes.

The ends of all pipes installed in inlets shall be cut off flush with the inside face of the inlet wall.

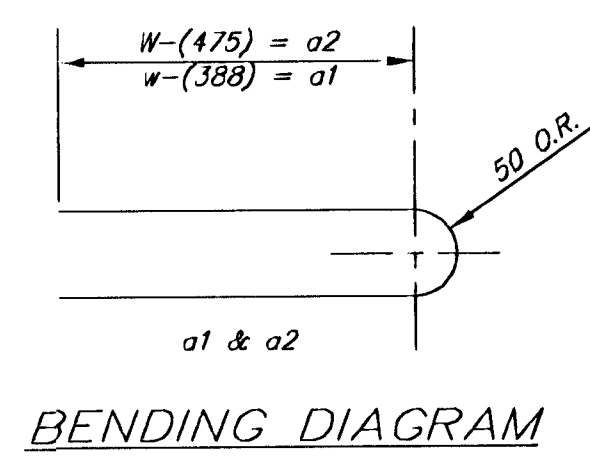
PRECAST SLAB AND FLOOR REINFORCING

MARK	SIZE	W = 1 300		W = 1 600		W = 1 900		W = 2 200		W = 2 500	
		NO.	LENGTH	NO.	LENGTH	NO.	LENGTH	NO.	LENGTH	NO.	LENGTH
* a1	#4	6	1 975	6	2 575	6	3 175	6	3 775	6	4 375
a2	#4	4	1 800	4	2 400	4	3 000	4	3 600	4	4 200
a3	#4	13	1 225	13	1 525	13	1 825	13	2 125	13	2 425
b1	#4	1	1 425	1	1 425	1	1 425	1	1 425	1	1 425
* b2	#4	23	1 825	29	1 825	35	1 825	41	1 825	47	1 825
x1	#4	8	1 150	8	1 250	8	1 350	8	1 450	8	1 550

WALL REINFORCING

MARK	SIZE	W = 1 300		W = 1 600		W = 1 900		W = 2 200		W = 2 500	
		NO.	LENGTH	NO.	LENGTH	NO.	LENGTH	NO.	LENGTH	NO.	LENGTH
w1	#4	①	1 825	①	1 825	①	1 825	①	1 825	①	1 825
w2	#4	①	1 225	①	1 525	①	1 825	①	2 125	①	2 425
w3	#4	32	36	36	40	44	48	48	48	48	

* Field Bend or Cut Reinforcing as Required for Clearance.
 (H) (H - 300) (H - 525) Rounded down to nearest 150 mm
 (H) - 75mm



STANDARD CURB INLET PRECAST TOPS

W	PRE-CAST TOP SIZE	PIPE SIZE	CU. YD. CONC.
4'-4"	3'-8" x 6'-4" x 7 1/2"	21" & SMALLER	0.38±
5'-4"	4'-8" x 6'-4" x 7 1/2"	24" & 30"	0.51±
6'-4"	5'-8" x 6'-4" x 7 1/2"	36" & 42"	0.64±
7'-4"	6'-8" x 6'-4" x 7 1/2"	48" & 54"	0.77±
8'-4"	7'-8" x 6'-4" x 7 1/2"	60" & 66"	0.90±

THE CITY OF WICHITA

STANDARD TYPE 1-A CURB INLET

OPENING = 150 x 1 500

M. E. LINDEBAK P.E. - CITY ENGINEER

CITY ENGINEER'S OFFICE
 CITY HALL - SEVENTH FLOOR
 455 NORTH MAIN STREET
 WICHITA, KANSAS 67202
 (316) 268-4551
 (316) 268-4114 FAX

PROJECT NUMBER: _____ INDEX CODE: _____

DATE: MAR 96 SHEET 15 OF 82