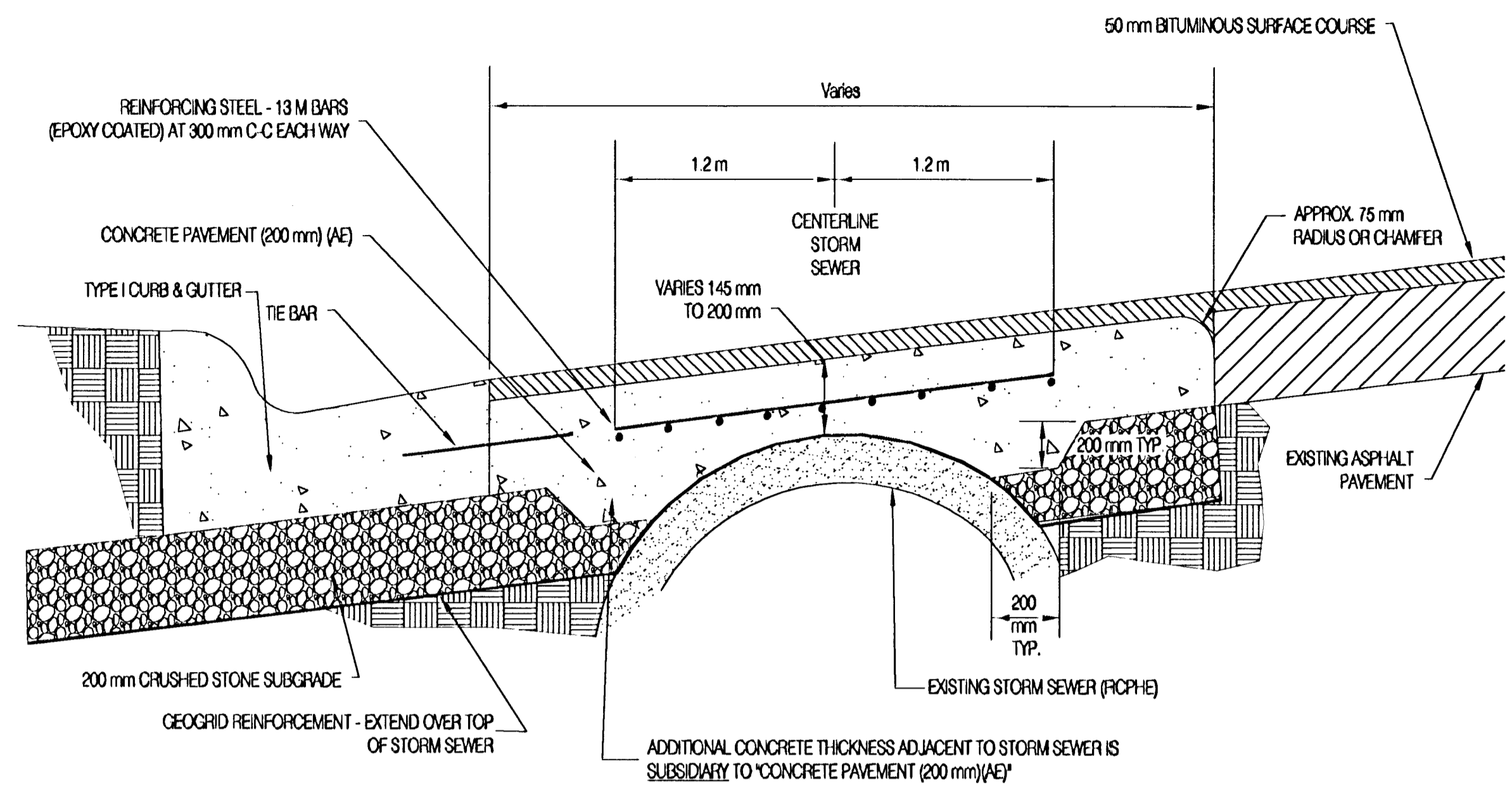
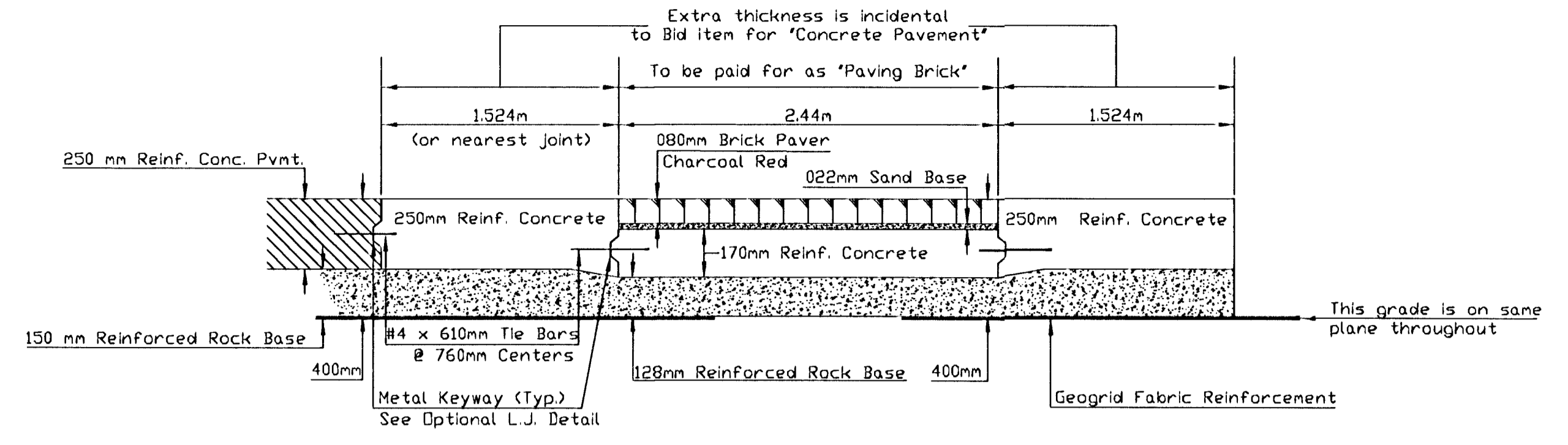
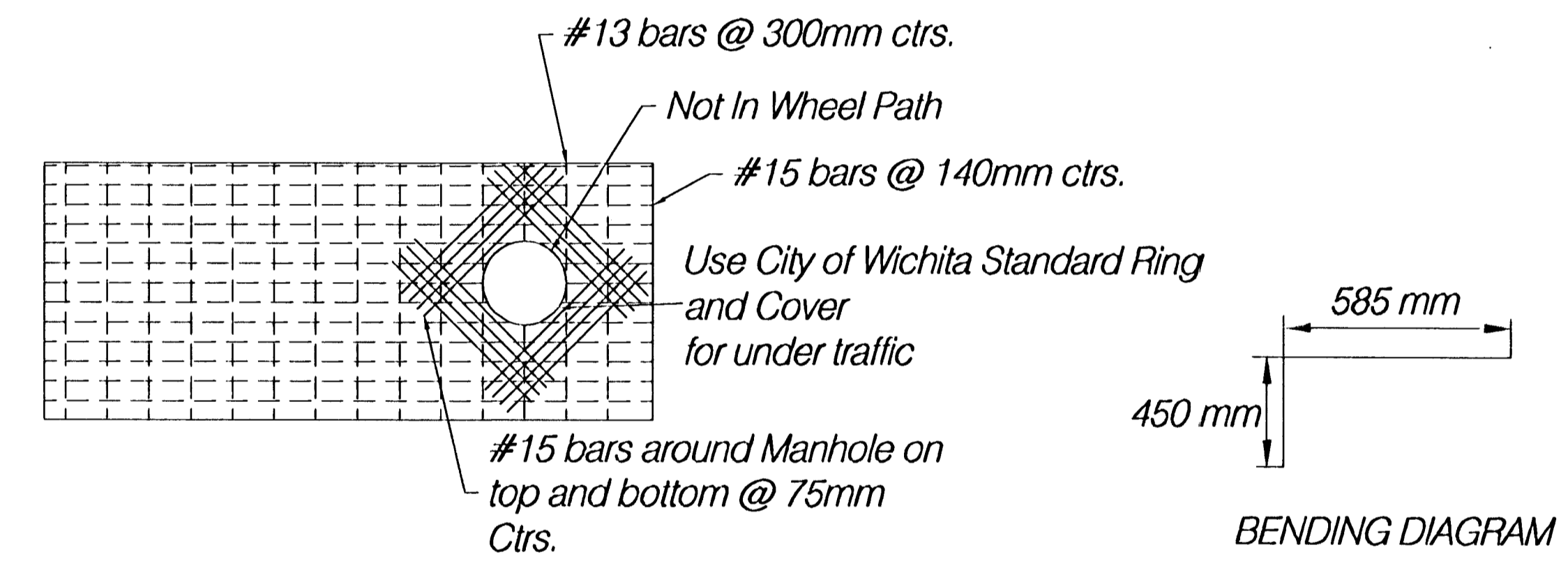


FHWA REG. NO.	STATE	PROJECT NO.	YEAR	SHEET NO.	TOTAL SHEETS
7	KANSAS	87 N-0198-01	2001	20	82

FED. AID NO. -

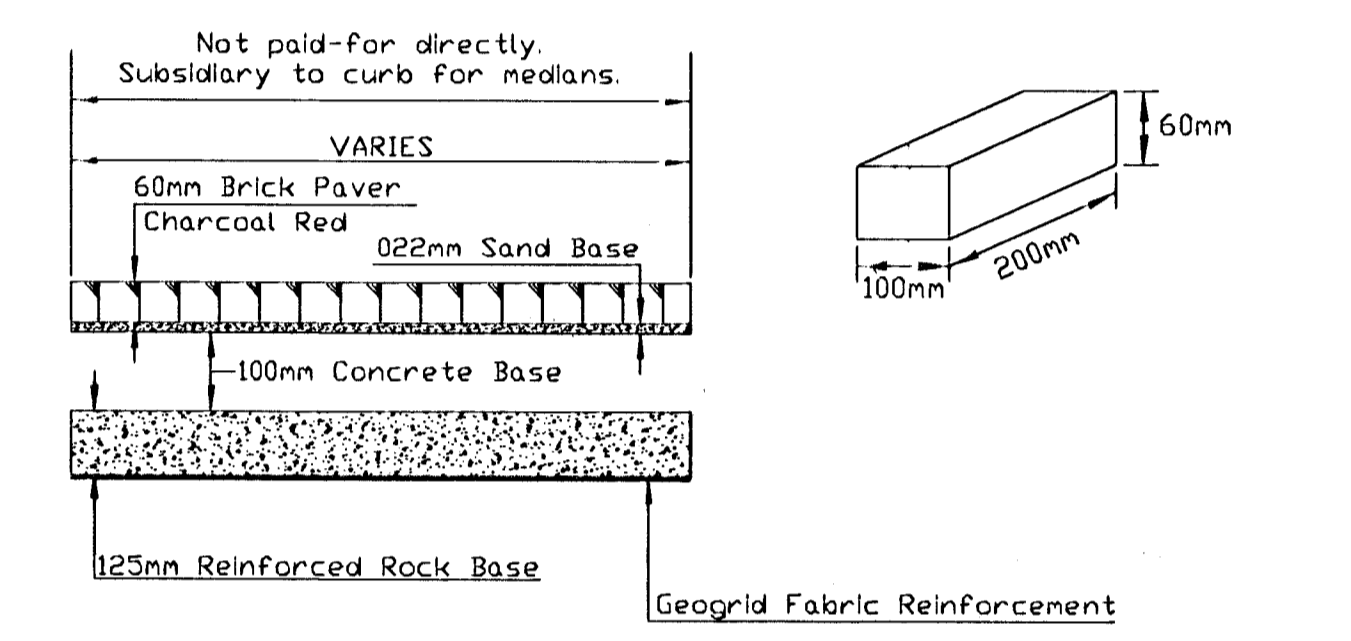
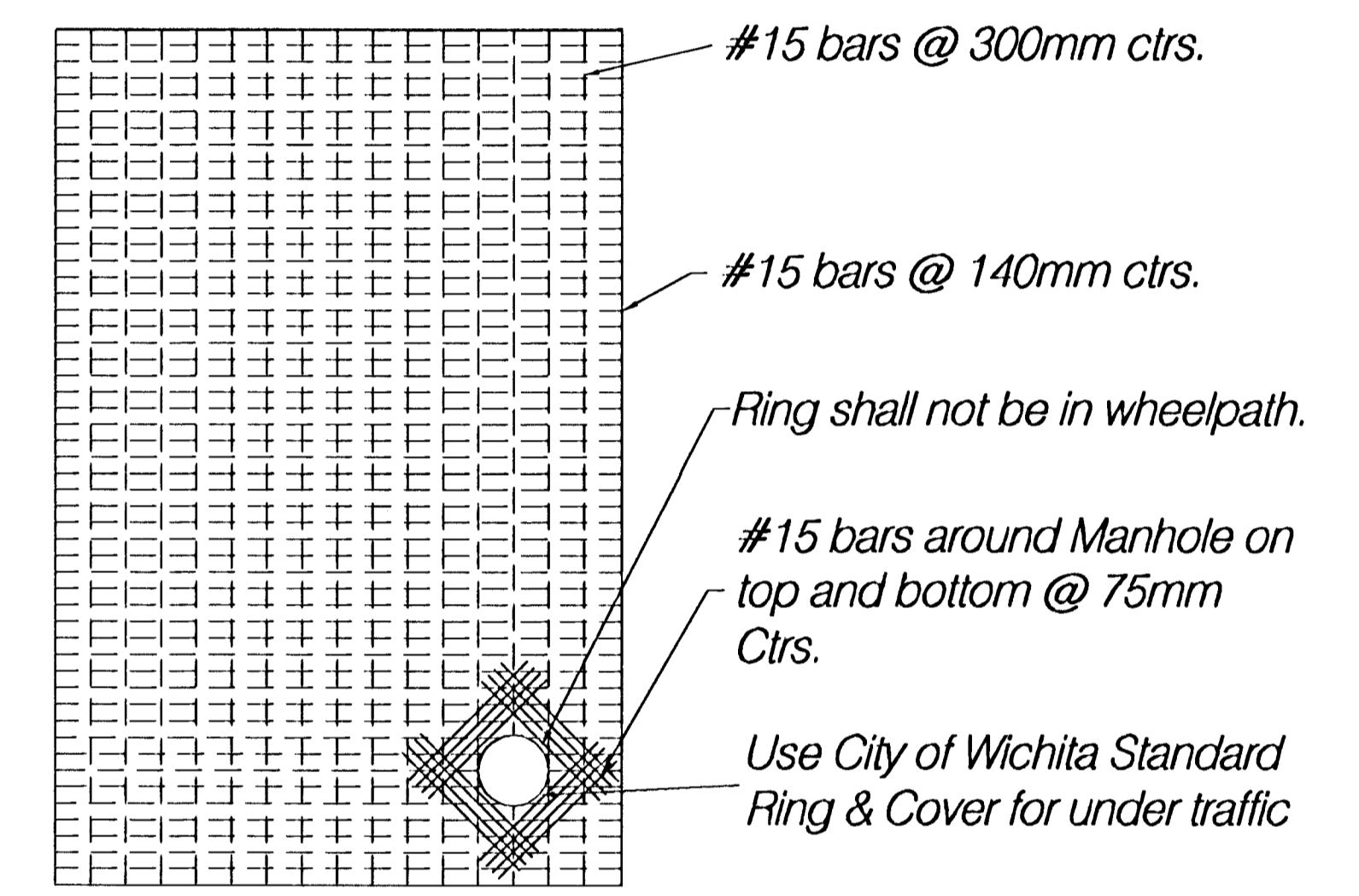
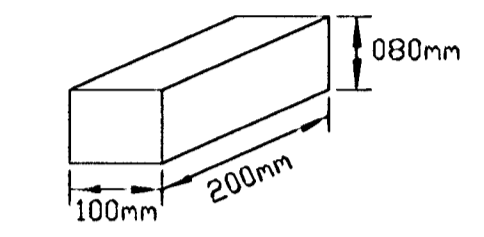


Sta. 3+123 to 3+172



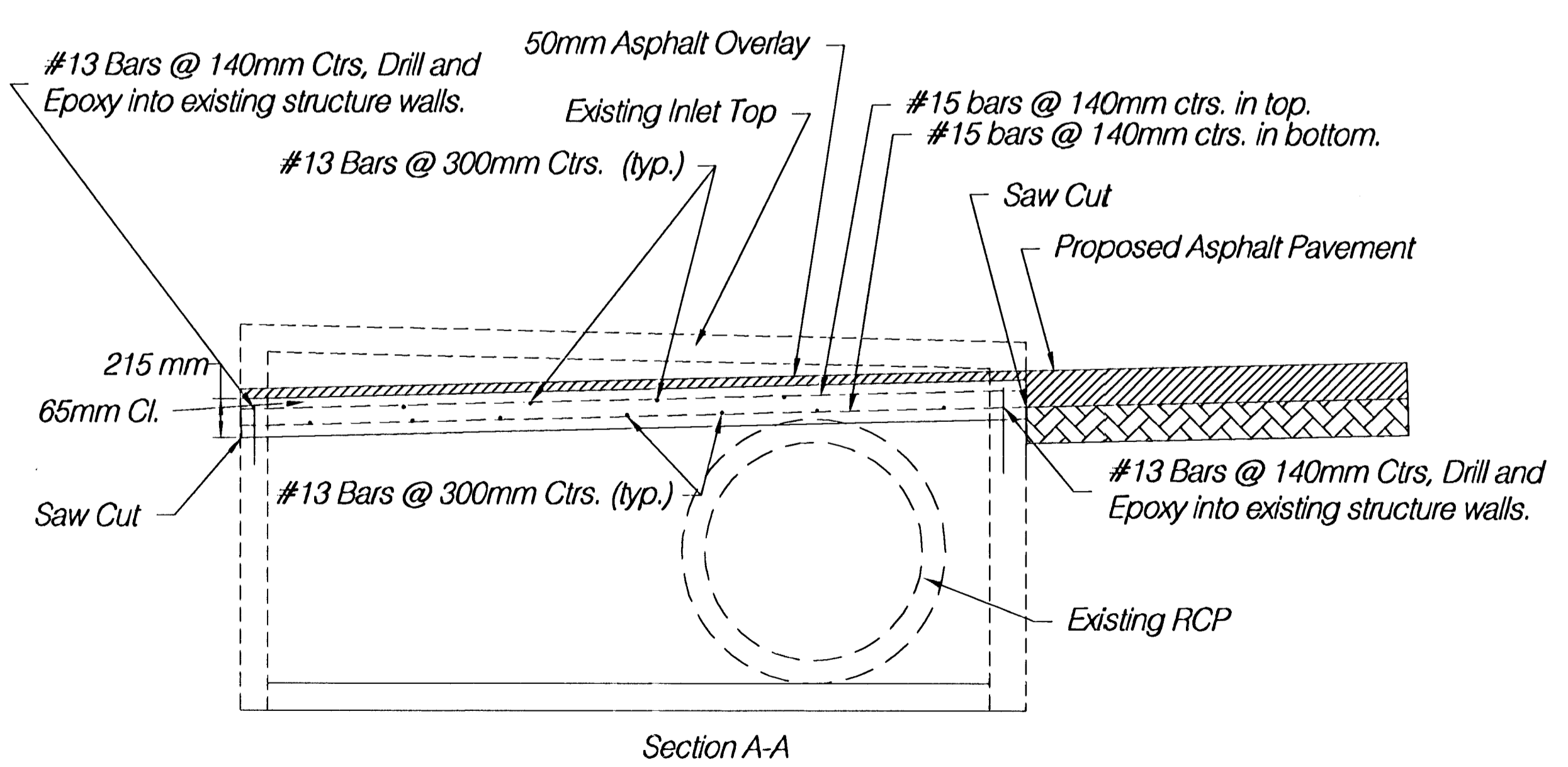
CROSSWALK BRICK PAVER SURFACE DETAIL

NOTE: Construction of the interlocking precast concrete paving stones shall conform to KDOT special provisions 90P-3956

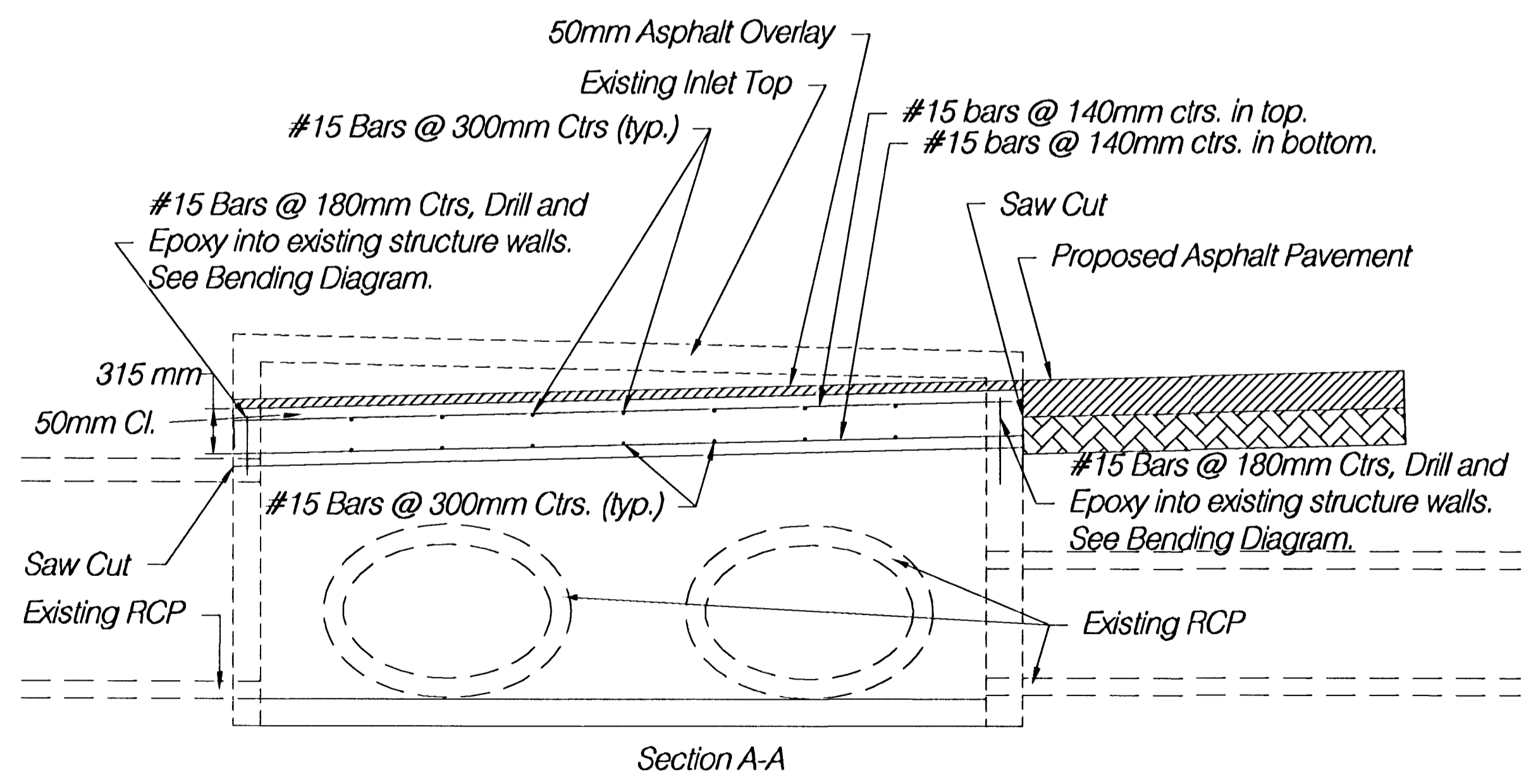


MEDIAN BRICK PAVER SURFACE DETAIL

NOTE: Construction of the interlocking precast concrete paving stones shall conform to KDOT special provisions 90P-3956



**Sta. 3+171.8
NO SCALE**



**Sta. 3+219.4
NO SCALE**

ROCK ROAD
MISCELLANEOUS DETAILS

HWS Consulting Group Inc.
Manhattan Office
3206 Kimball Avenue
Manhattan, KS 66503
Phone: (785) 539-2202
Fax: (785) 539-2393

Designed By: JH	Checked By: JDM
Drawn By: JH	Date: Job No. 55-70-2003