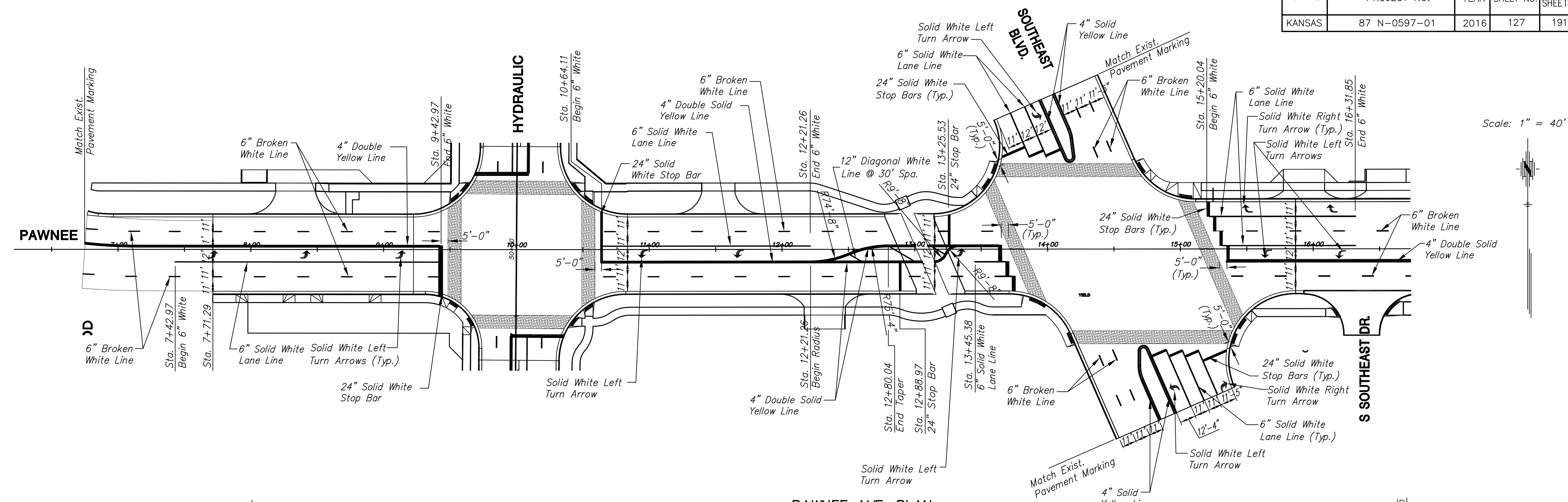
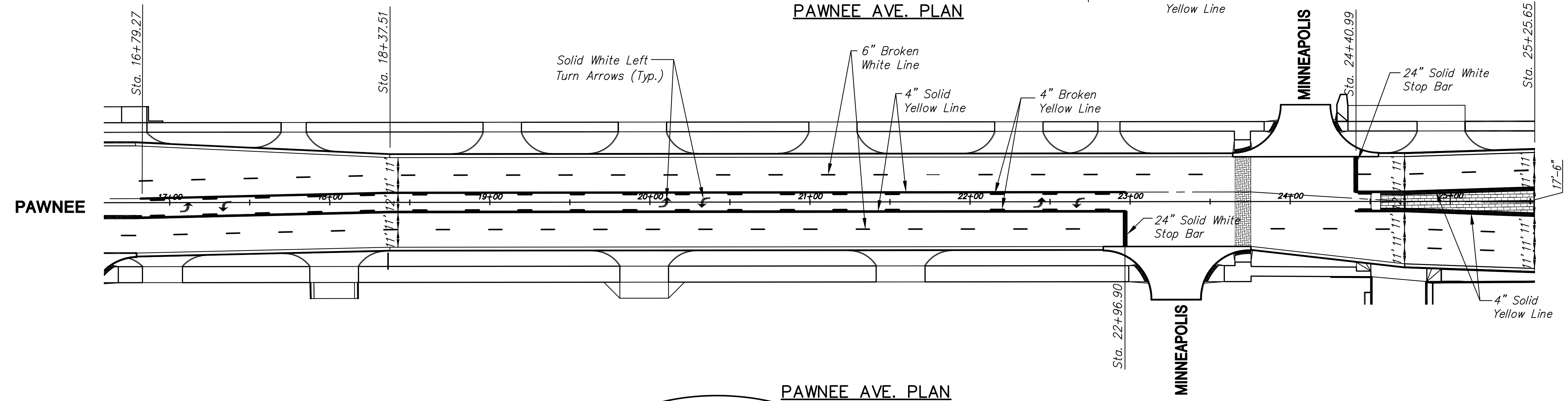


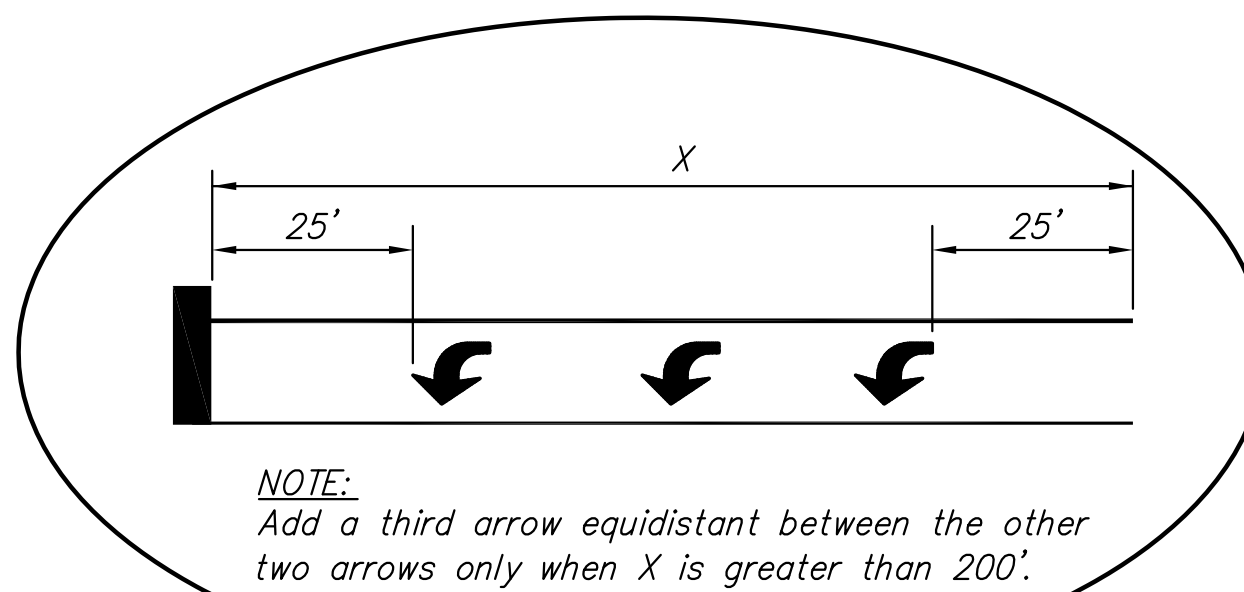
STATE	PROJECT NO.	YEAR	SHEET NO.	TOTAL SHEETS
KANSAS	87 N-0597-01	2016	127	191



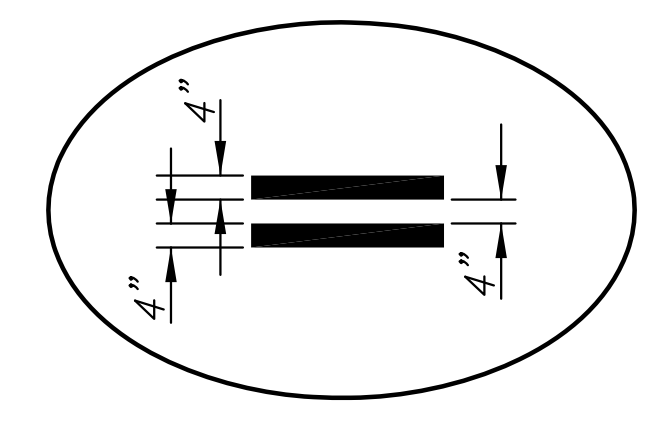
Scale: 1" = 40'



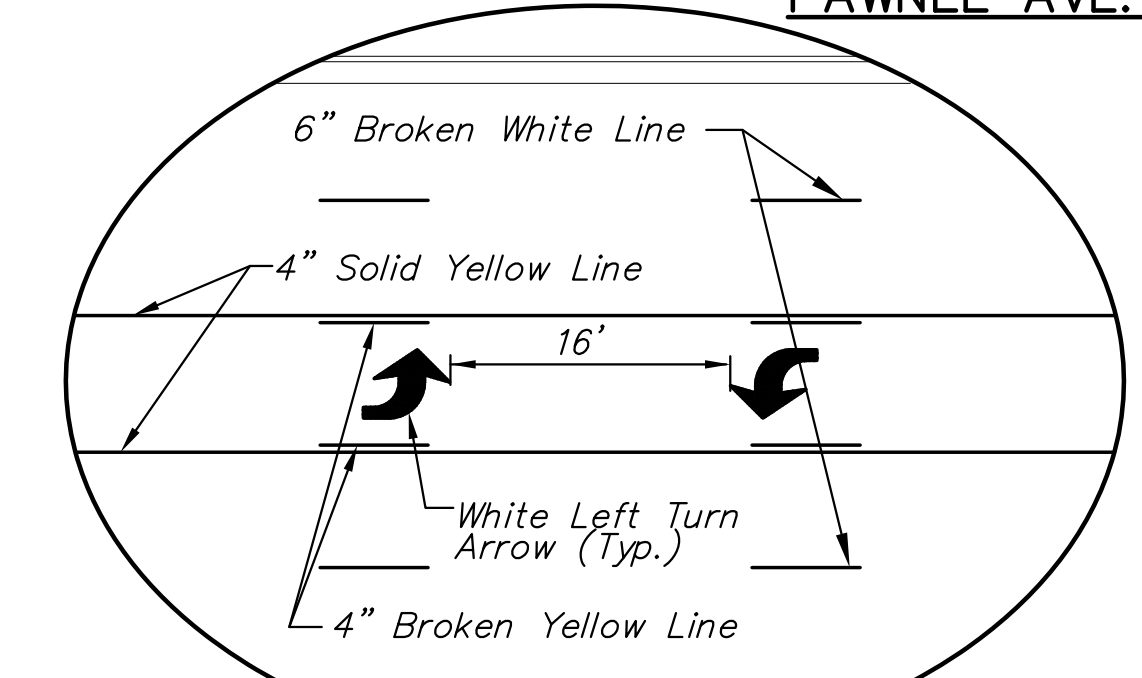
Scale: 1" = 40'



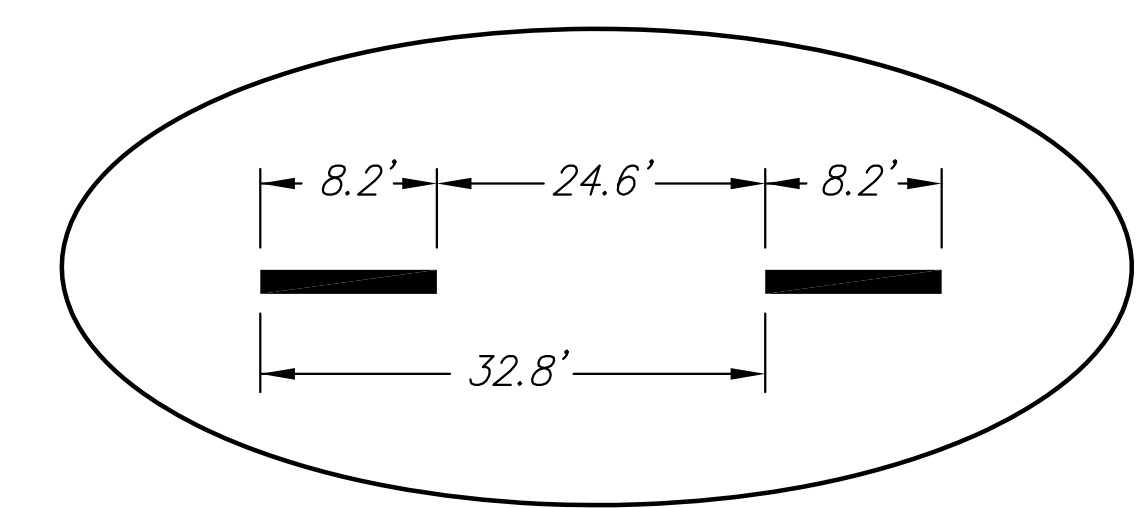
ARROW SPACING DETAIL



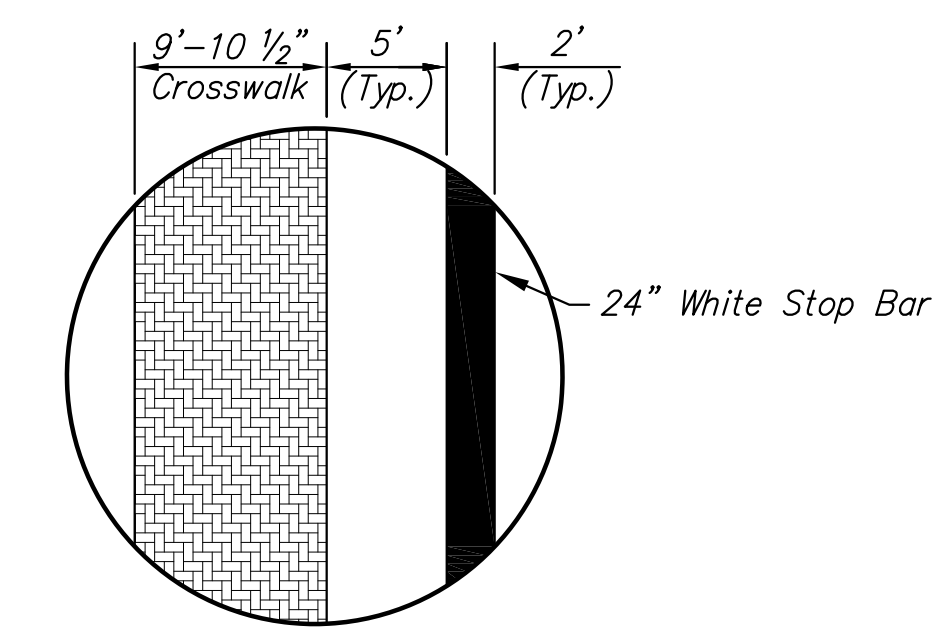
TYPICAL SPACING FOR 4" DOUBLE YELLOW LINE



TWO WAY LEFT TURN DETAIL



TYPICAL SPACING FOR 6" BROKEN WHITE LANE LINES AND 4" BROKEN YELLOW LINES



TYPICAL STOP BAR DETAIL

STREET IMPROVEMENTS FOR:
PAWNEE AVENUE
FROM HYDRAULIC TO POPLAR
WICHITA, KANSAS

©2013 MKEC Engineering All Rights Reserved www.mkec.com
These drawings and their contents, including, but not limited to, all concepts, designs, & ideas are the exclusive property of MKEC Engineering (MKEC), and may not be used or reproduced in any way without the express consent of MKEC.

PAWNEE AVE. PAVEMENT MARKING PLAN

PROJECT NO.	87 N-0597-01	
DATE	DATE	
SCALE	1"=40'	
DESIGNED	DRAWN	CHECKED
JRA	JSB	JRA
NO.	REVISION	DATE

PLOTFILE: M:\87\87N0597\PAV.MRK\05745.PMD.DWG