

STATE	PROJECT NO.	YEAR	SHEET NO.	TOTAL SHEETS
KANSAS	87 N-0597-01	2016		191

GENERAL NOTES

Design conforms with ASHTO "Standard Specifications for Structural Supports for Signs, Luminaires, and Traffic Signals 2002". Foundation design conforms with "Design Procedure Compared to Full-Scale Tests of Drilled Shaft Footings", Texas Transportation Institute, February 1970.

The post sleeve shall be formed from steel sheet which was produced to meet the requirements of ASTM A653M and zinc coated to meet the requirements of coating designation A123. It is permissible to close the bottom of the sleeve with a metal plate. Basis of acceptance shall be visual inspection of the finished sleeve and determination of zinc thickness by magnetic gage.

All sign mounting holes in the wood posts shall be drilled prior to treating.

Breakaway holes and field cuts shall be treated in accordance with the preservative treatment specifications.

Prior to sealing the opening between the wood post and the top of the concrete footing, place two hardwood wedges into the opening on two adjacent sides of post and force down to within ... of top of footing.

NOTE TO THE ENGINEER:

The intent of the "Roadside Design Guide" and these plans is to have a 4" or less projection above the ground line after impact.

All dimensions in inches unless otherwise noted.

3					
2					
1					
NO.	DATE	REVISIONS	BY	APP'D	

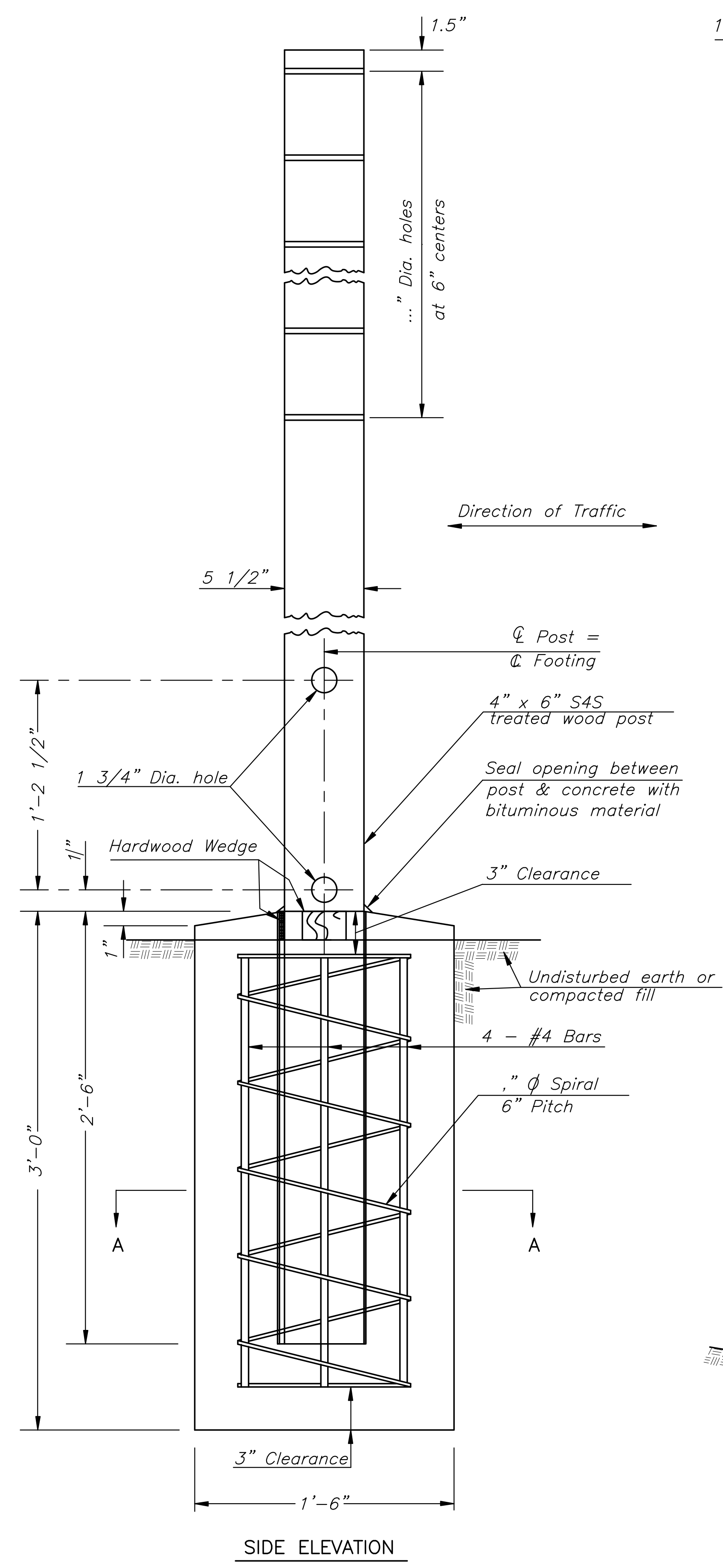
KANSAS DEPARTMENT OF TRANSPORTATION

DETAILS FOR WOOD POSTS

TE-460-07-01-03 135

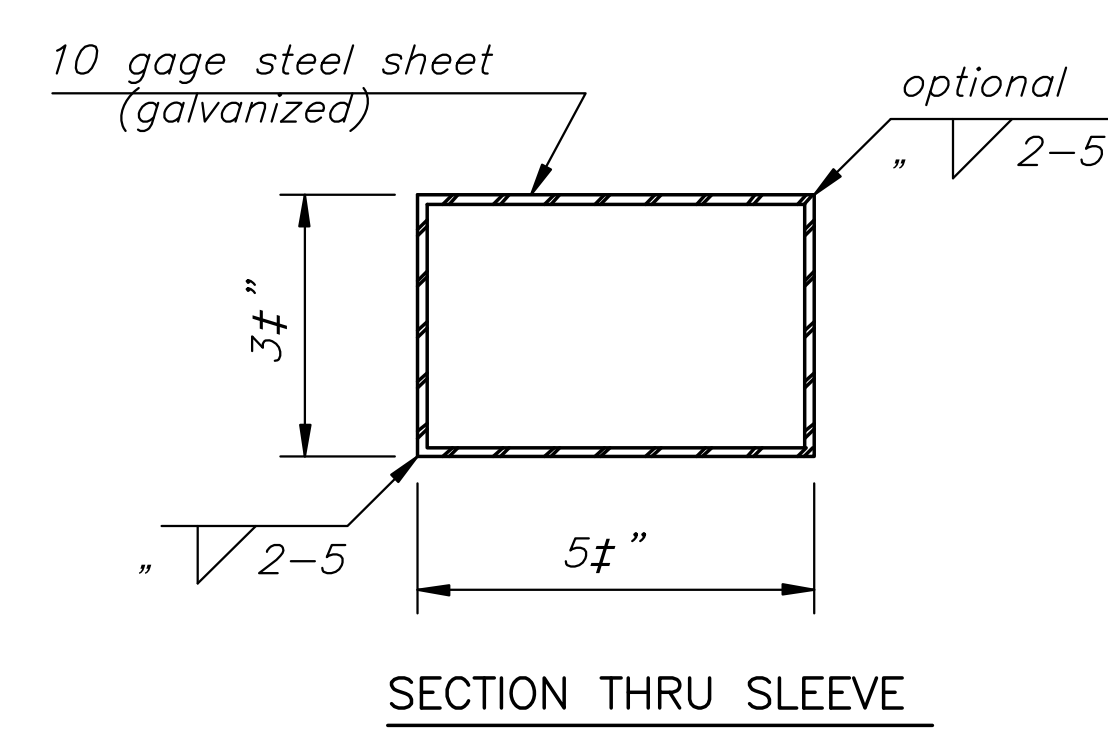
FHWA APPROVAL	07-22-2003	APP'D	Steven A. Buckley
DESIGNED	DDG	DETAILED	AAD
DESIGN CK.	SAB	DETAIL CK.	DDG
		QUANTITIES	TRACED
		QUAN. CK.	TRACE CK.

PLOTTED: Monday, May 09, 2016 @ 02:02PM J:\CML\05450\WG\TRAFFIC\05745 TE460.DWG

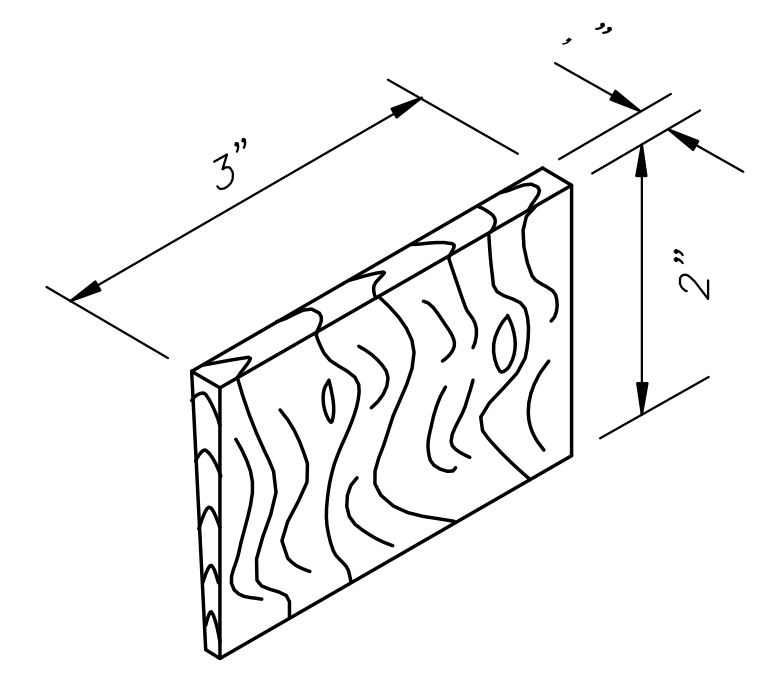


SIDE ELEVATION

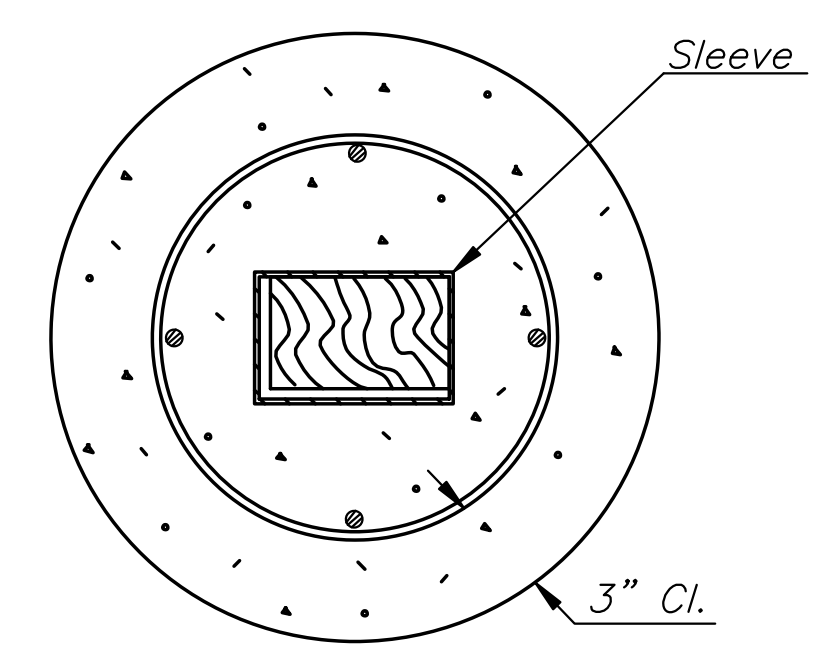
WOOD POST IN CONCRETE FOOTING



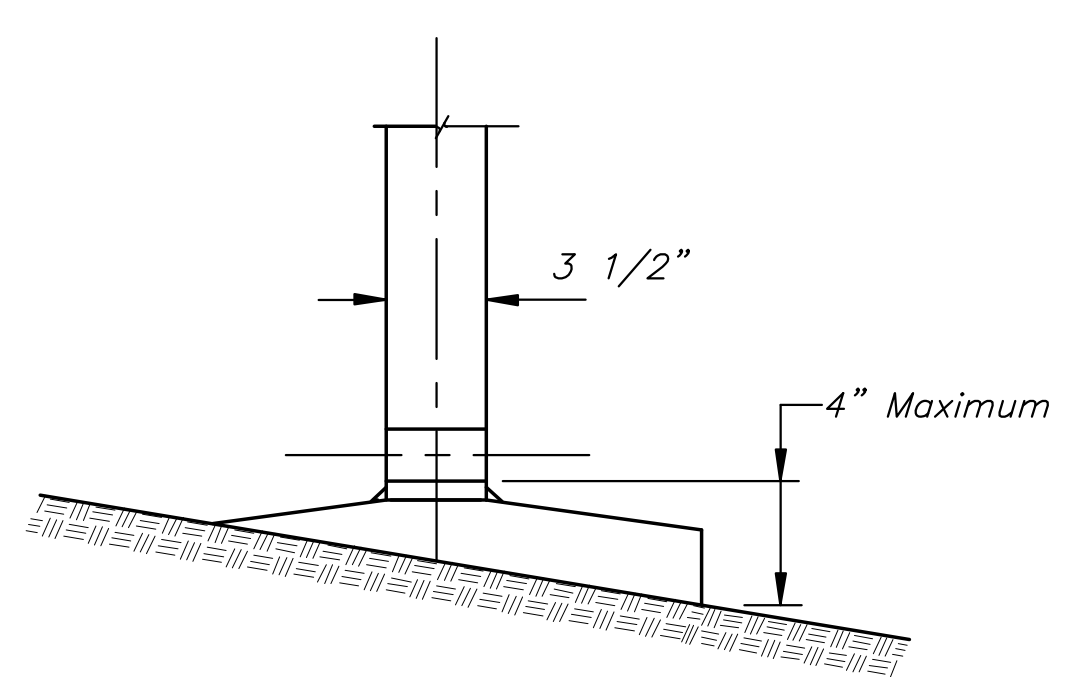
SECTION THRU SLEEVE



HARDWOOD WEDGE

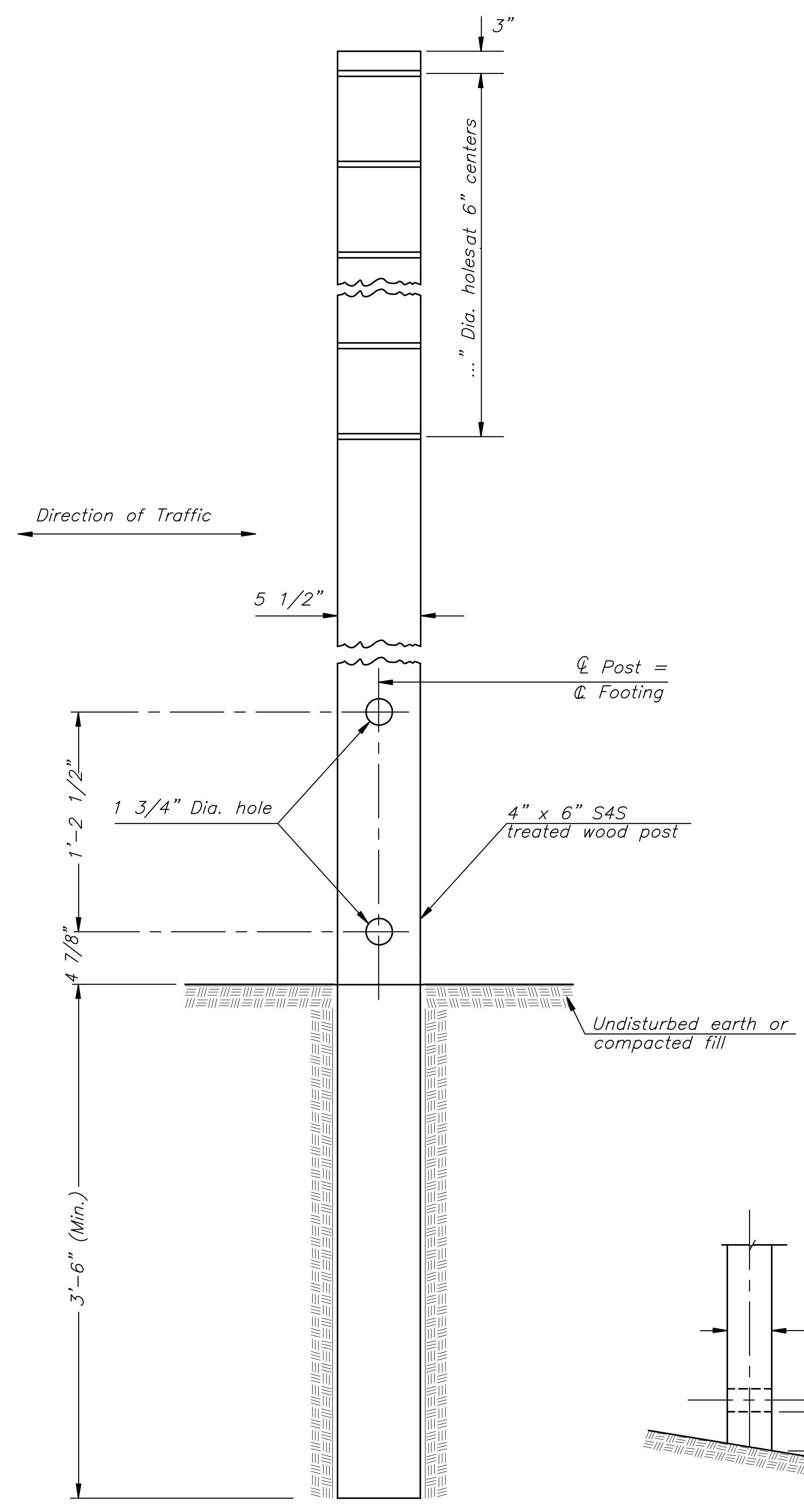


SECTION A-A



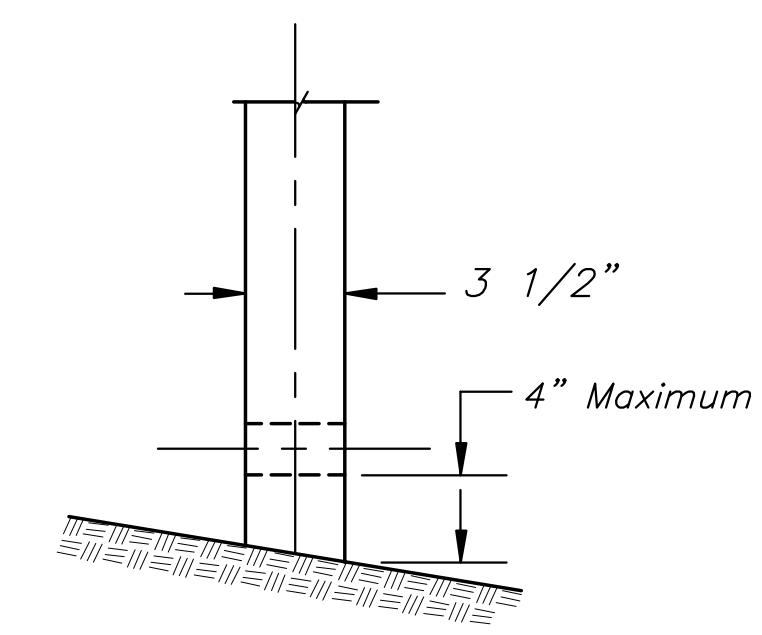
FRONT ELEVATION

NOTE:
Commercial Grade concrete may be substituted for Grade 25 concrete for sign support footings.



SIDE ELEVATION

WOOD POST IN SOIL



FRONT ELEVATION