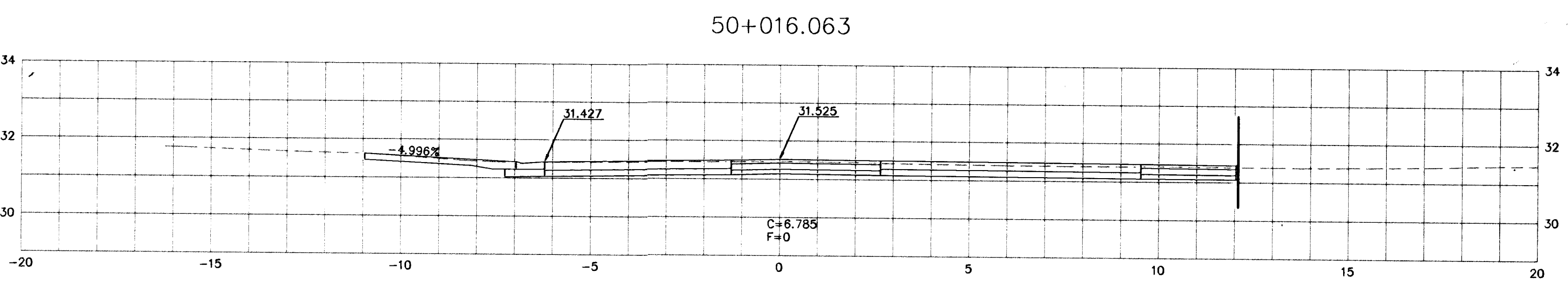
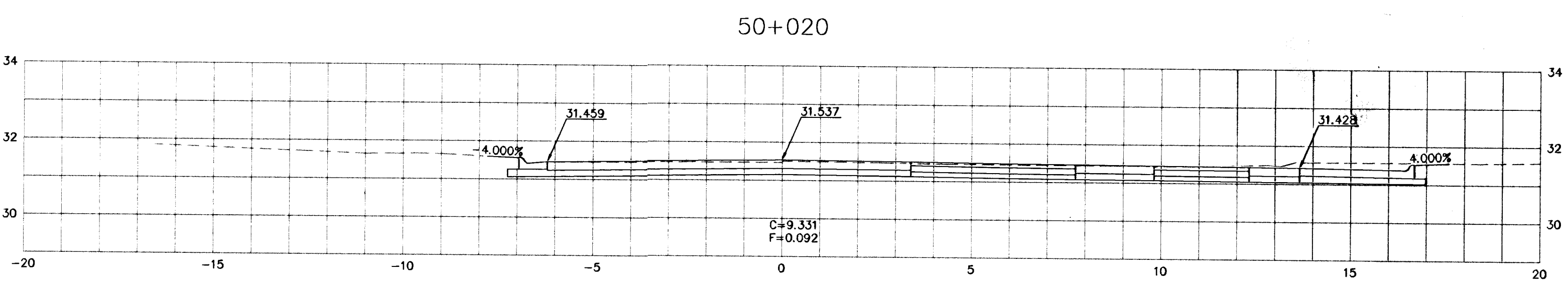
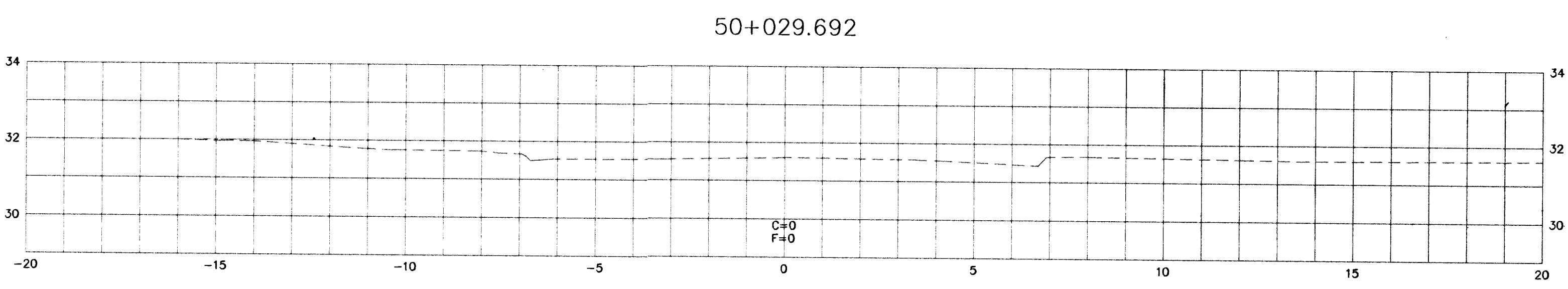
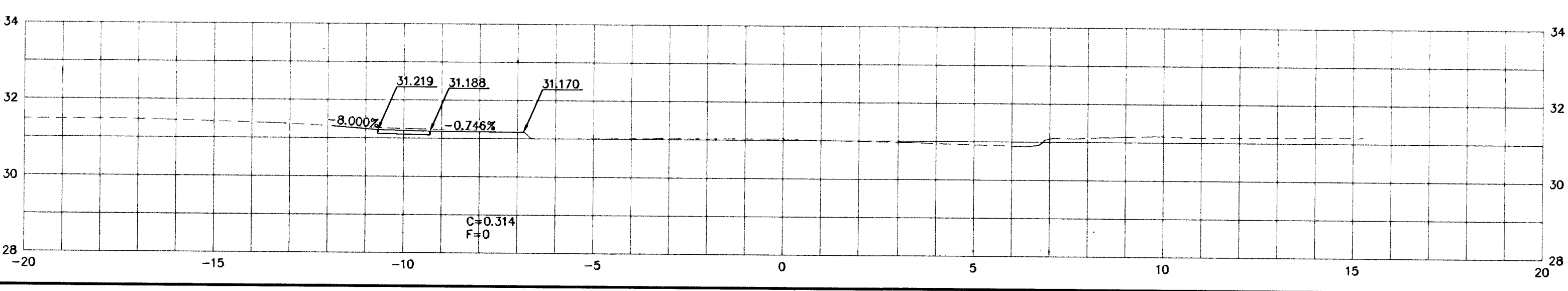
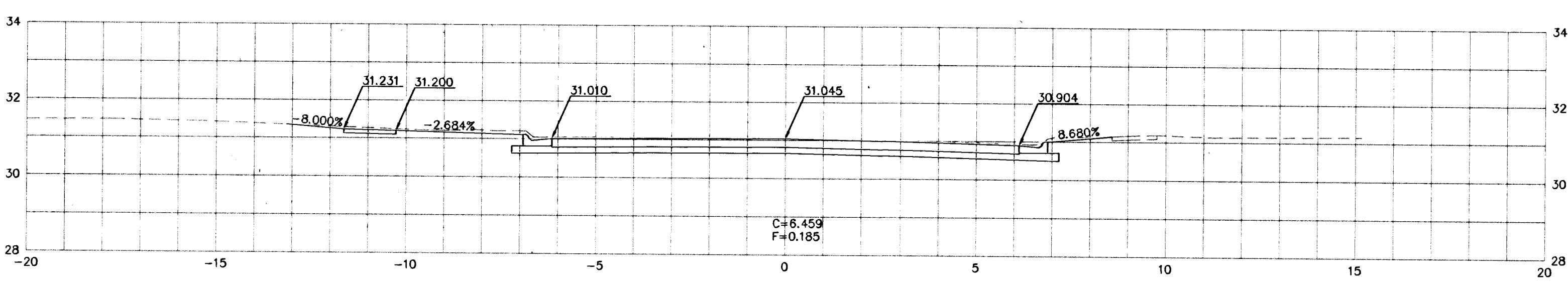
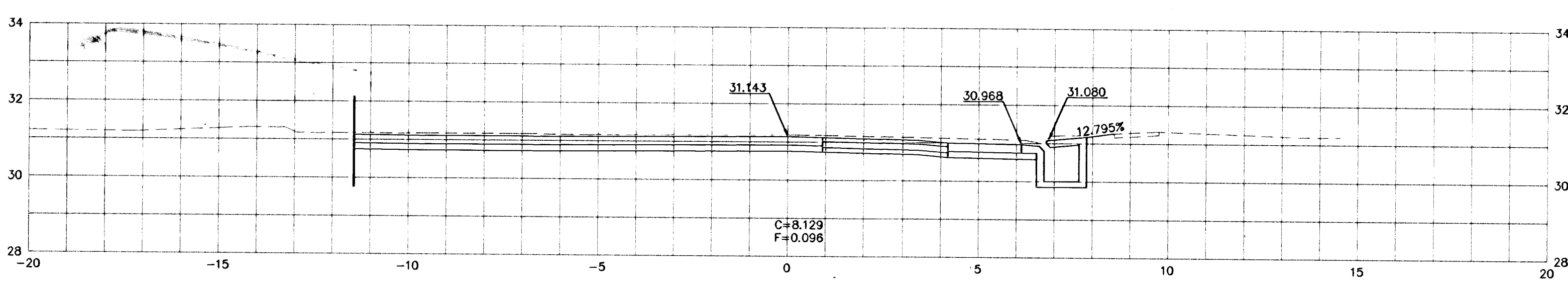
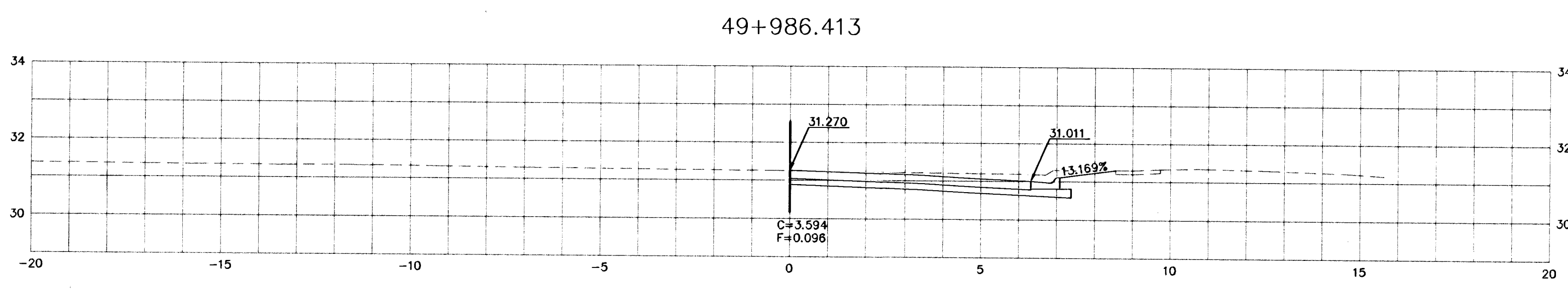
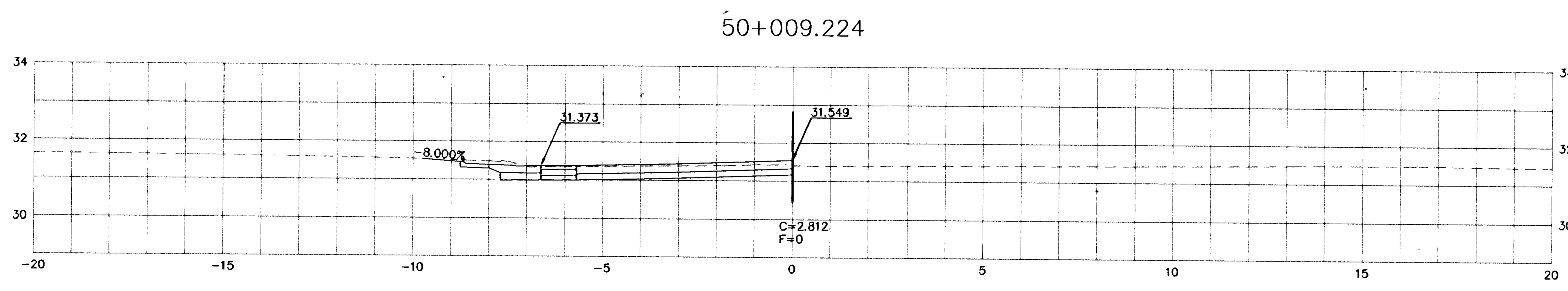
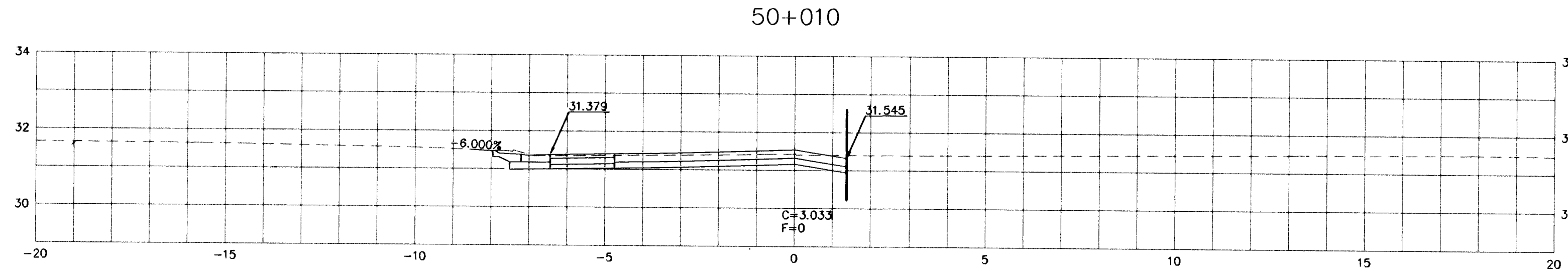



FHWA REGION NO.	STATE	PROJECT NO.	YEAR	SHEET NO.	TOTAL SHEETS
7	KANSAS	87 N-0212-01	2002	59	59

Plotted By : J. TRUMPP
 Plot File : 2232GWB
 Plot Date : 4-25-02
 Std. Base File :
 Server File :
 Server :
 View =



**MOUNT VERNON ROAD
CROSS SECTIONS**



KAW VALLEY ENGINEERING
 ENGINEERS AND LAND SURVEYORS
 2319 NORTH JACKSON
 P.O. BOX 1304
 JUNCTION CITY, KANSAS 66441
 (785)762-5040 FAX (785)762-7744
 E-MAIL jc@kveng.com

PROJ. NO.	A02232
DATE	4-25-02
DESIGNER	CDM
DRAWN BY	JT
CHECKED BY	CFN
SHEET	2232XSEC
OF	59

SCALE: 1:100 HORIZ. & VERT.