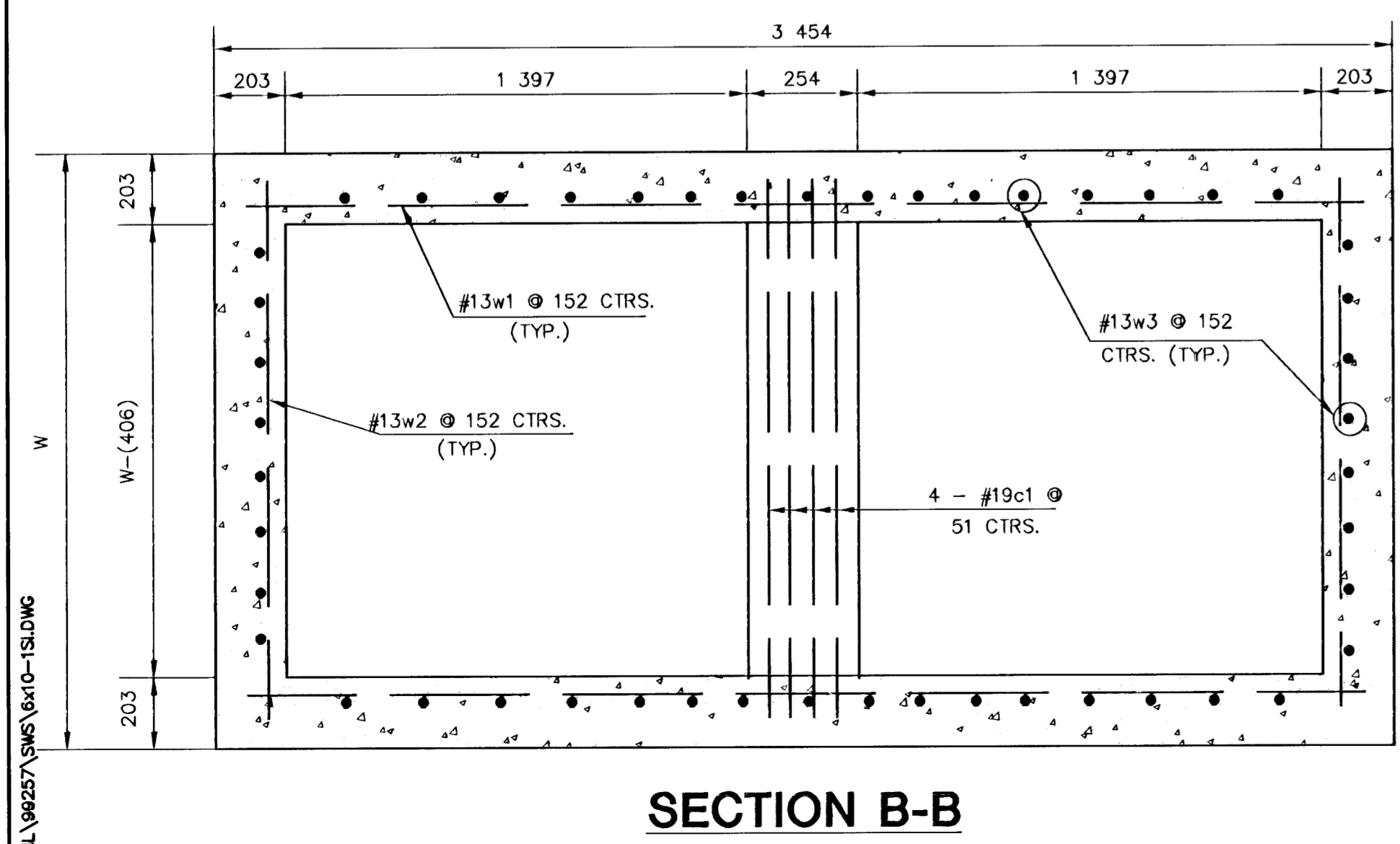
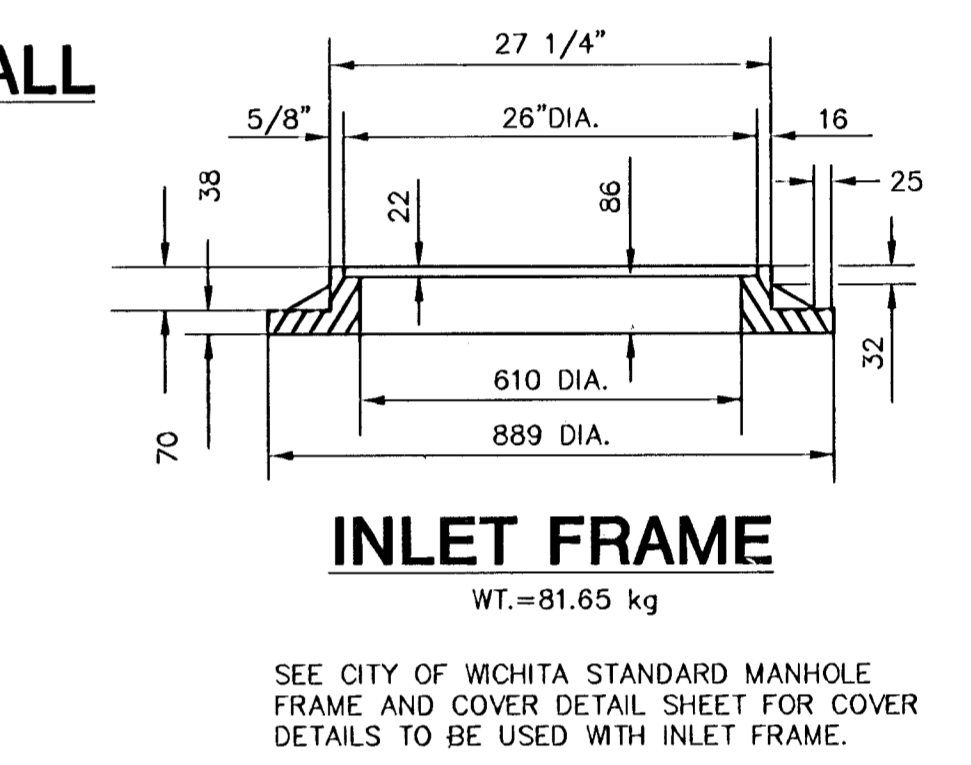
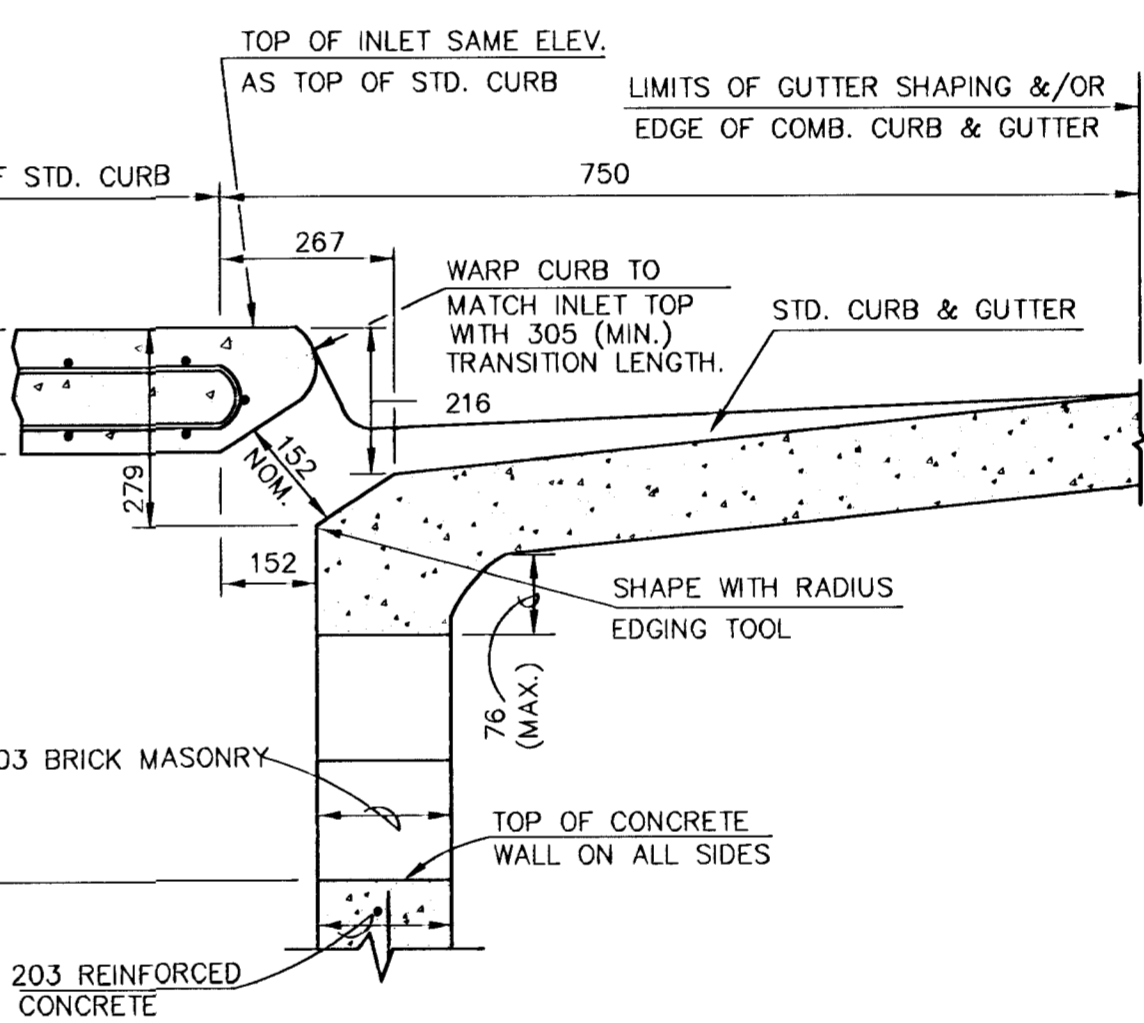
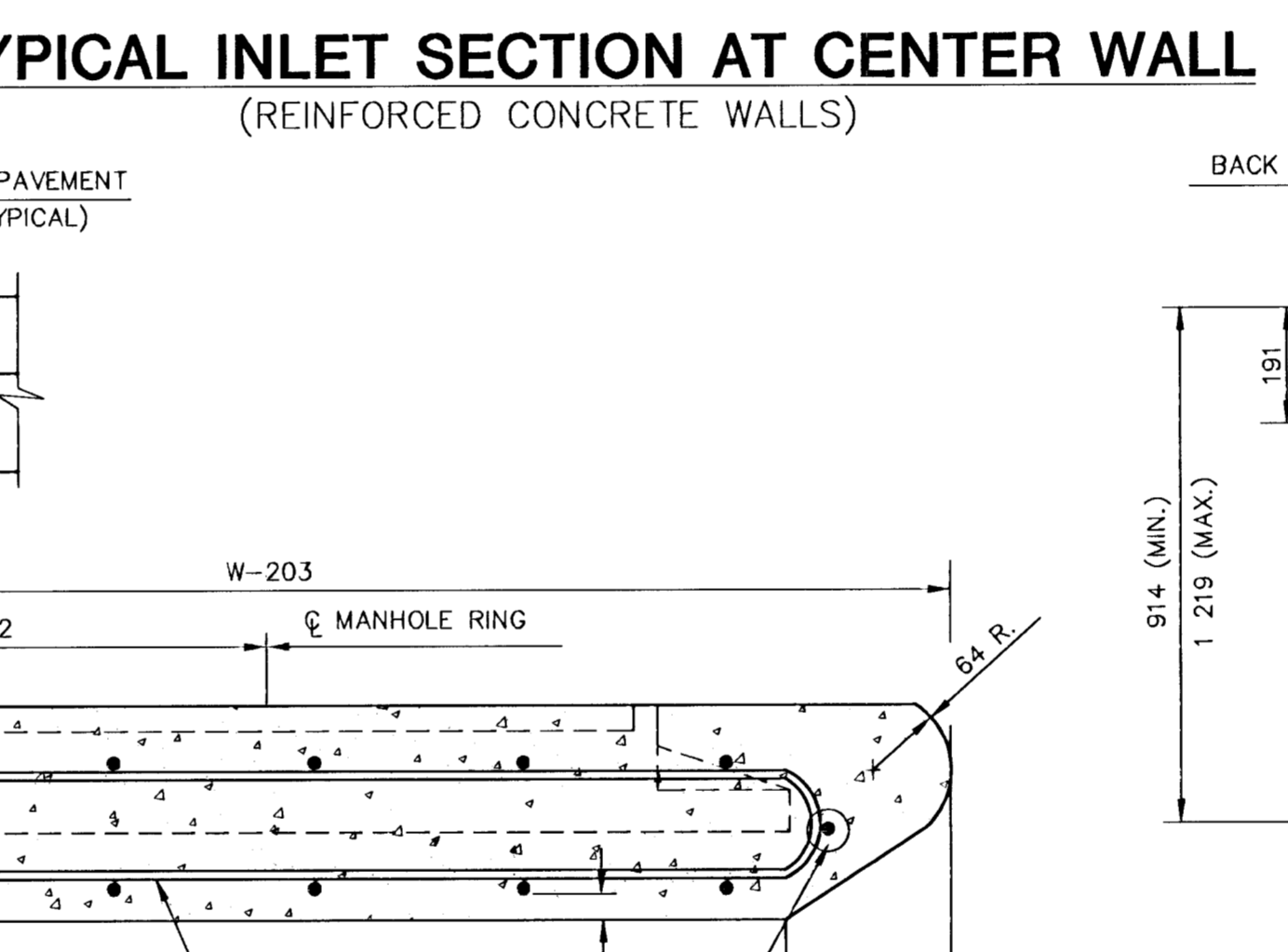
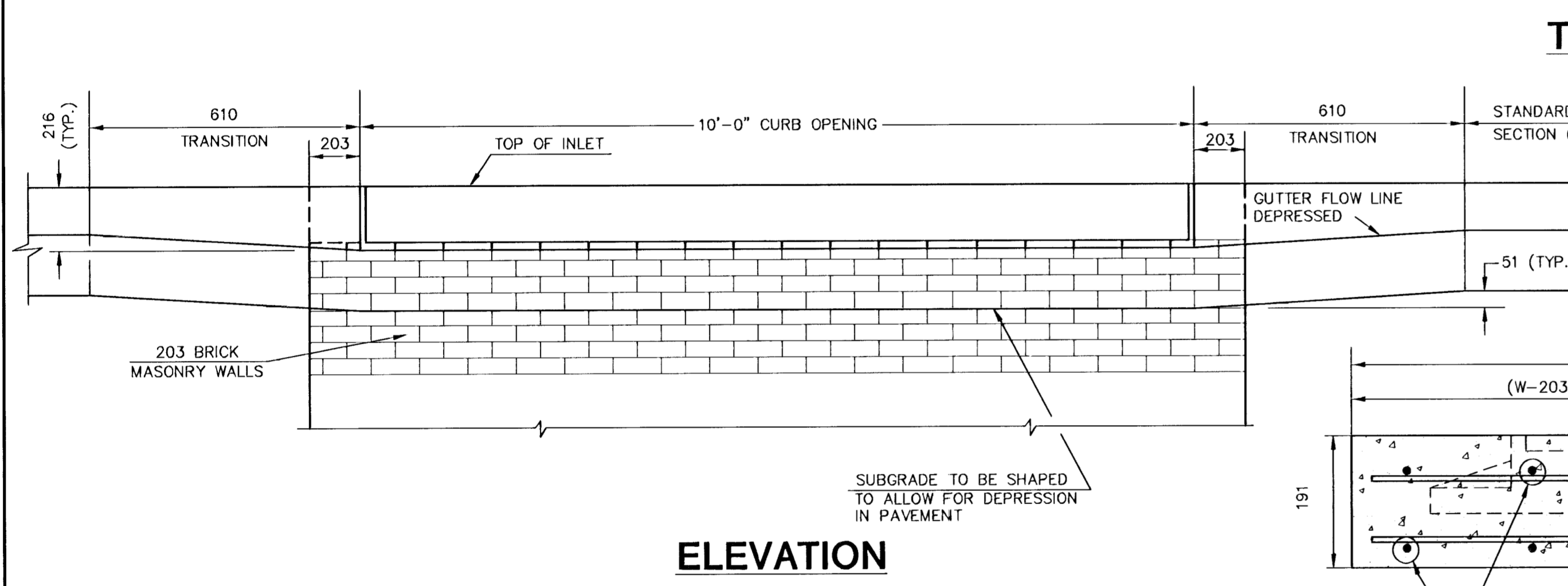
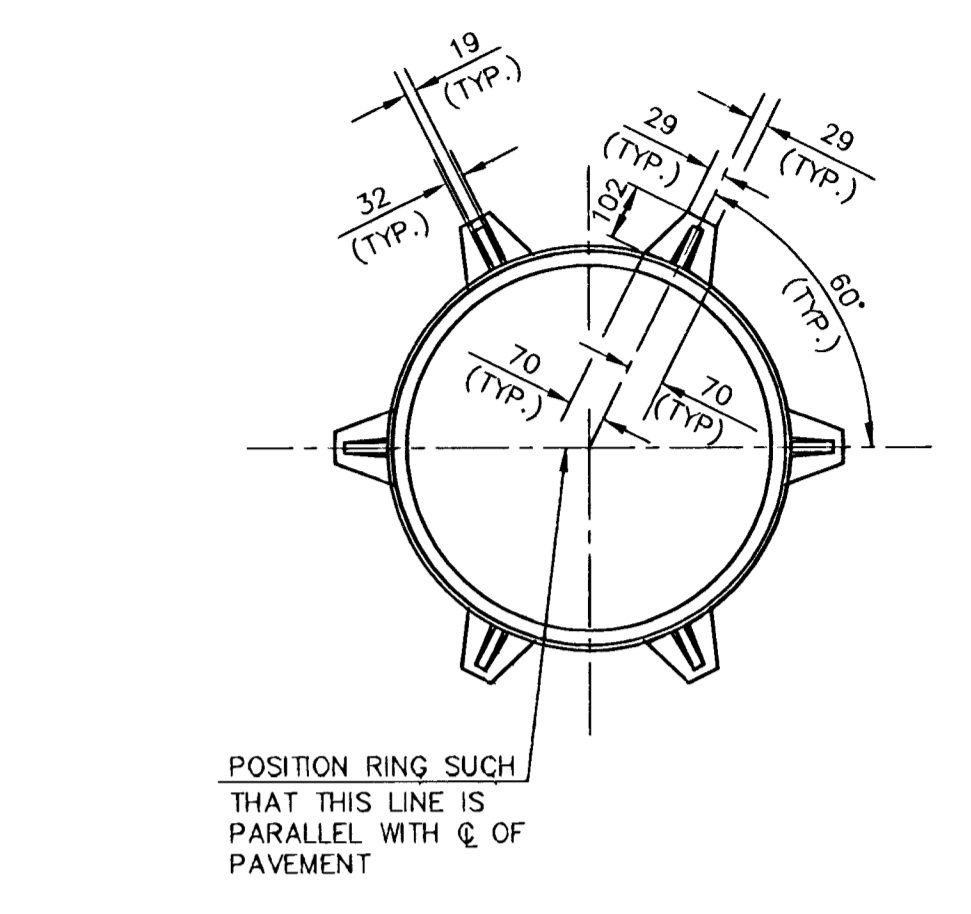
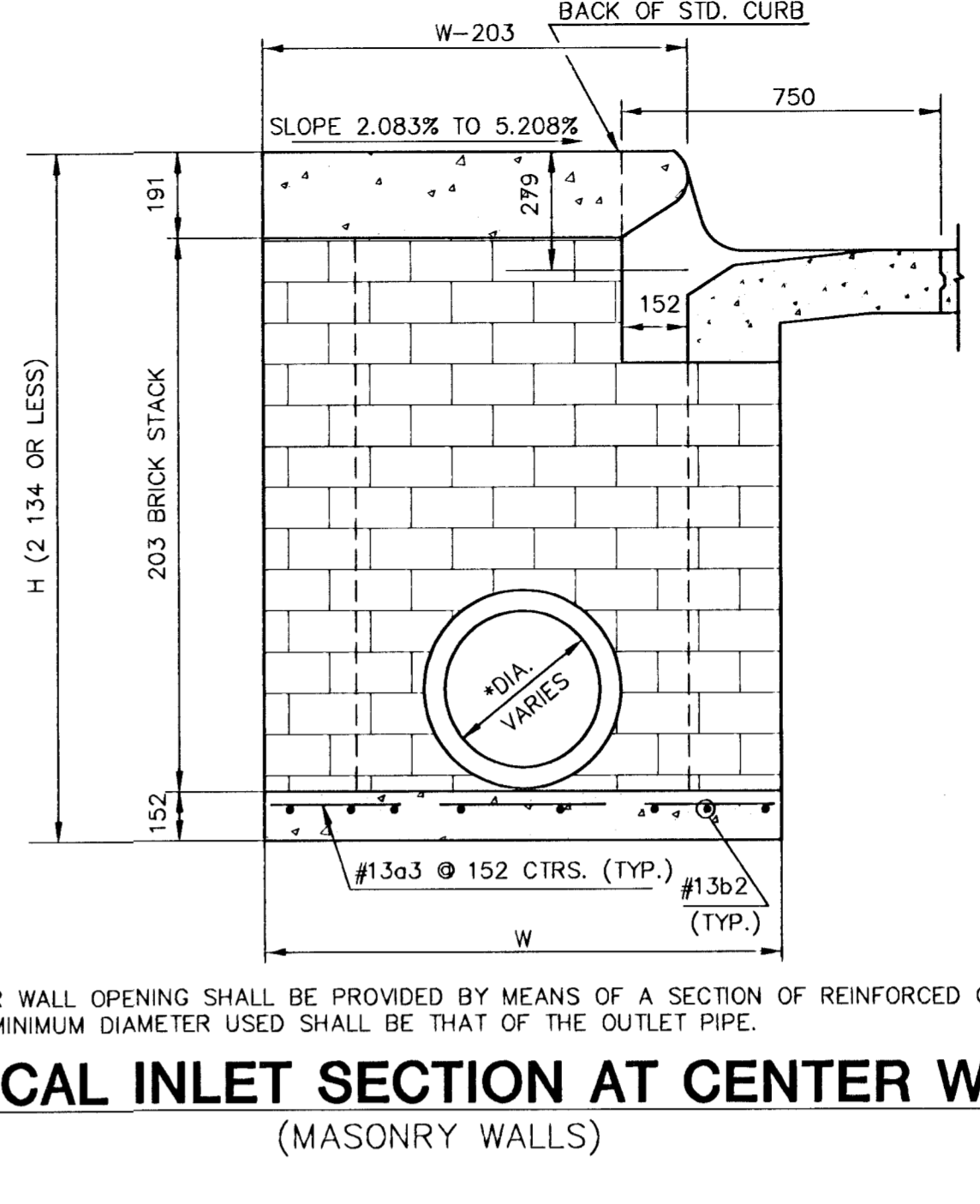
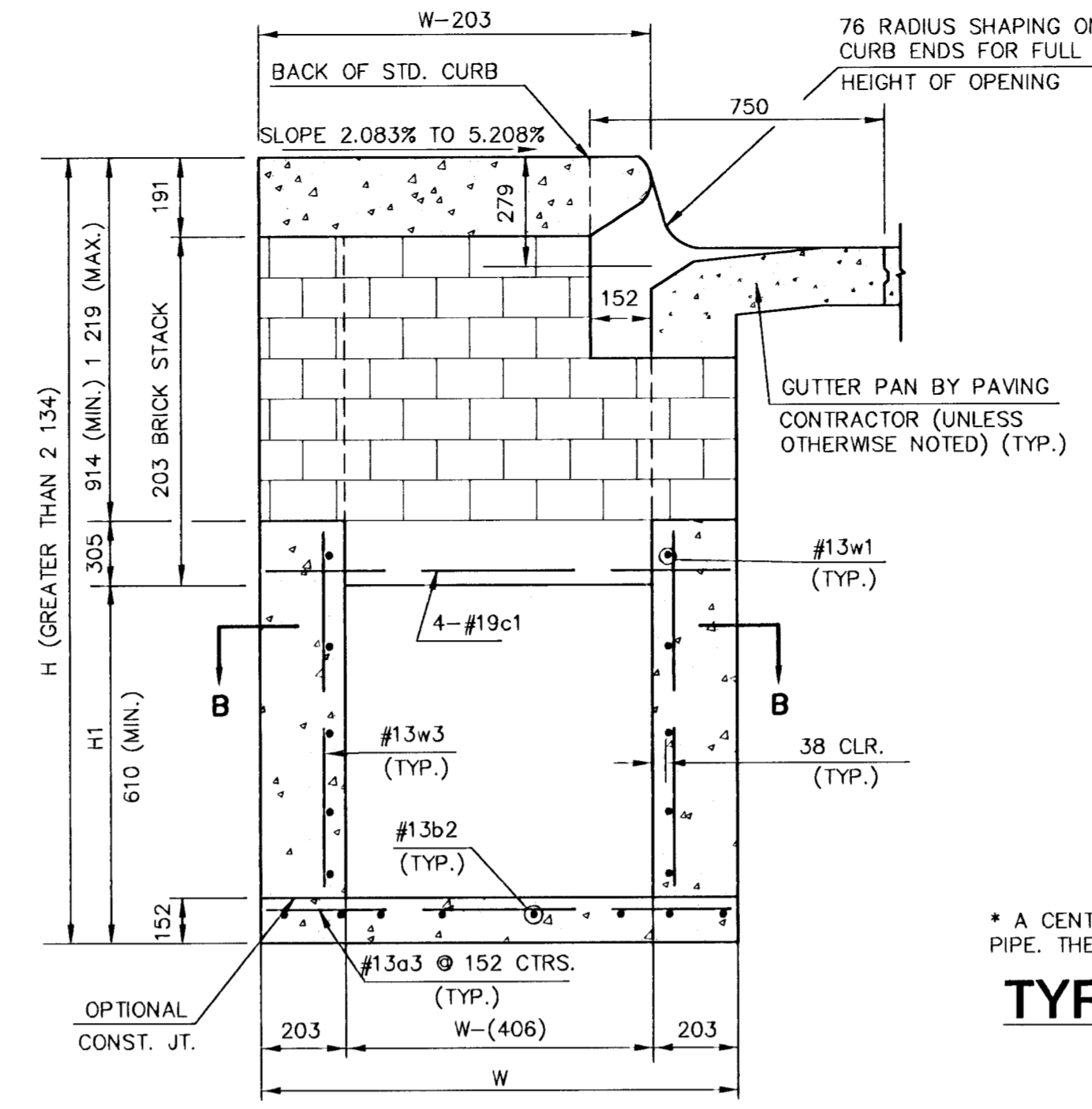
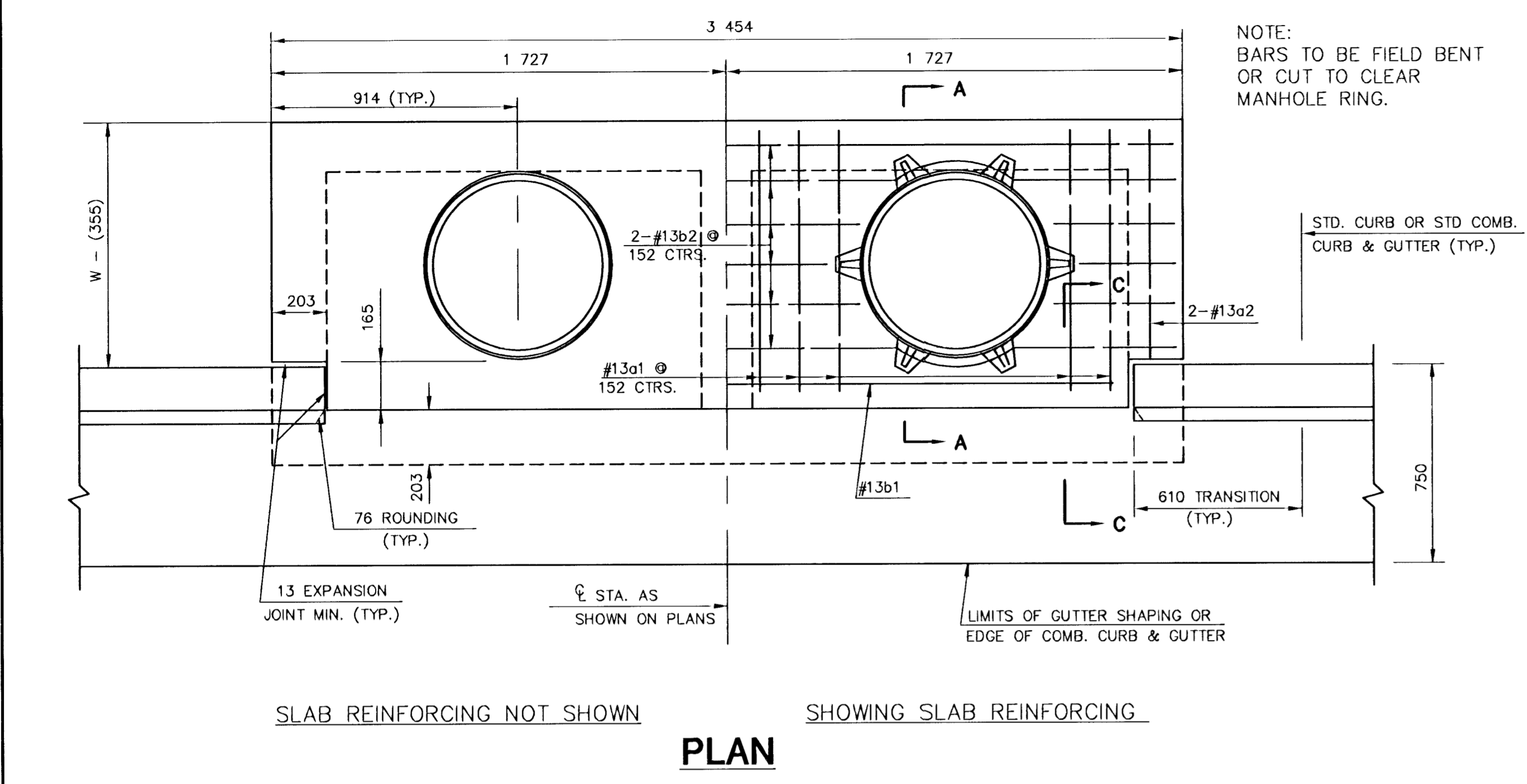


FHWA REG NO.	STATE	PROJECT NO.	YEAR	SHEET NO.	TOTAL SHEETS
7	KANSAS	87N-0200-01	2001	17	78



NOTE: CONCRETE TOP TO BE INSTALLED ON THIN MORTAR CUSHION TO INSURE FULL SUPPORT ALONG WALLS.

SECTION A-A

SLAB AND FLOOR REINFORCING											
MARK	SIZE	W=1 321		W=1 626		W=1 930		W=2 235		W=2 540	
		NO.	LENGTH	NO.	LENGTH	NO.	LENGTH	NO.	LENGTH	NO.	LENGTH
a1	#13	13	2 013	13	2 623	13	3 232	13	3 842	13	4 451
a2	#13	2	1 829	2	2 438	2	3 048	2	3 658	2	4 267
a3	#13	20	1 245	20	1 549	20	1 854	20	2 159	20	2 464
b1	#13	1	2 946	1	2 946	1	2 946	1	2 946	1	2 946
**b2	#13	18	3 378	24	3 378	30	3 378	36	3 378	42	3 378

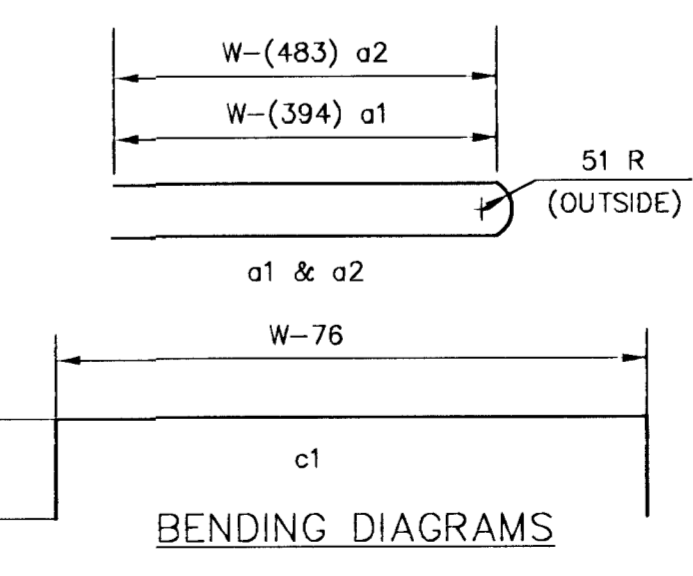
WALL REINFORCING											
MARK	SIZE	W=1 321		W=1 626		W=1 930		W=2 235		W=2 540	
		NO.	LENGTH	NO.	LENGTH	NO.	LENGTH	NO.	LENGTH	NO.	LENGTH
c1	#19	4	1 854	4	2 159	4	2 464	4	2 769	4	3 073
w1	#13	①	3 378	①	3 378	①	3 378	①	3 378	①	3 378
w2	#13	①	1 245	①	1 549	①	1 854	①	2 159	①	2 464
w3	#13	②		③		③		③		③	

** FIELD BEND OR CUT REINFORCING AS REQUIRED FOR CLEARANCE
 ① H1-152
 ② 40+4(W-305)
 ③ H1-(229)

SECTION C-C

GENERAL NOTES

- CONCRETE SHALL BE C.O.W. STANDARD PAVING MIX. ALL EXPOSED EDGES SHALL BE FINISHED WITH AN EDGING TOOL. REINFORCING BARS SHALL BE FIELD BENT OR CUT TO CLEAR PIPES. ALL BARS ARE #13 BARS AT 152 mm SPACING AND SHALL HAVE A MINIMUM CLEARANCE OF 38 mm UNLESS OTHERWISE NOTED. FLOORS OF INLET SHALL BE SHAPED WITH 8 SACK SAND MIX CONCRETE TO INCREASE HYDRAULIC EFFICIENCY SUCH THAT THE INLET WILL BE SELF CLEANING BETWEEN ALL INLET AND/OR OUTFALL PIPE(S). THE CONTRACTOR WILL BE REQUIRED TO CONSTRUCT 203 mm BRICK MASONRY WALLS BETWEEN THE CONCRETE INLET BASE AND TOP ON THIS INLET WHEN H= 2 134 mm OR LESS AND W= 1 930 mm OR LESS.
- THE ENDS OF ALL PIPES INSTALLED IN INLETS SHALL BE CUT OFF FLUSH WITH THE INSIDE FACE OF THE INLET WALL.



STANDARD CURB INLET PRECAST TOPS			
W	PRE-CAST TOP SIZE	PIPE SIZE	m³ CONC.
1 321	1 118 x 3 454 x 191	530 & SMALLER	± 0.63
1 626	1 422 x 3 454 x 191	600 & 750	± 0.83
1 930	1 727 x 3 454 x 191	900 & 1 050	± 1.03
2 235	2 032 x 3 454 x 191	1 200 & 1 350	± 1.23
2 540	2 337 x 3 454 x 191	1 500 & 1 675	± 1.43

REVISED: 12-21-1984

STANDARD TYPE 1 CURB INLET
 INLET OPENING=152 x 3 048

OCTOBER, 1984
 CITY OF WICHITA, KANSAS

Design BER	Checked by	Checked by	
KJS	MWB		
Drawn by	Date	Date	Job No.