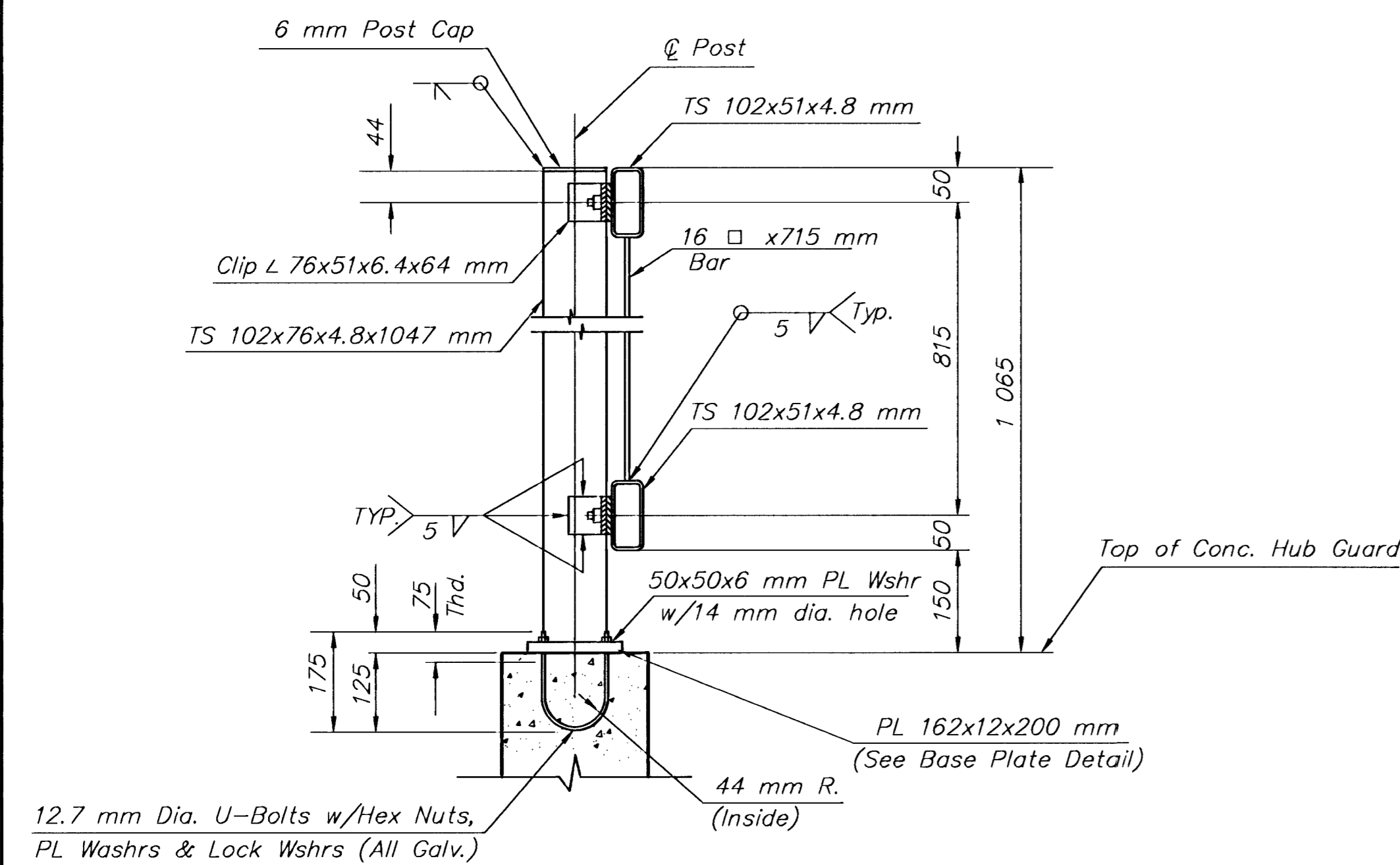


FHWA REG NO.	STATE	PROJECT NO.	YEAR	SHEET NO.	SHEETS
7	KANSAS	87-N-0200-01	2001	26	78

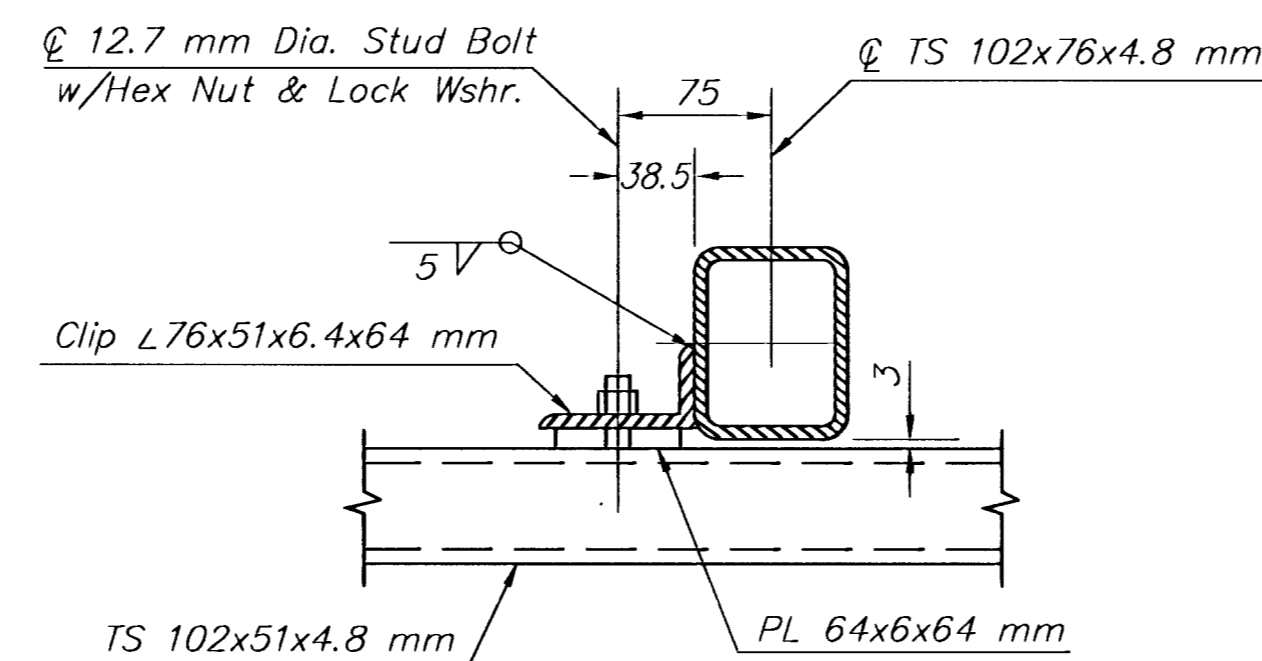
**HANDRAIL NOTES**

1. The rail members shall conform to ASTM A36M or equivalent.
2. A 150 mm maximum distance shall be maintained between the ends of the wingwall handrails and the hubguard handrail. Posts shall be set vertical. Shims may be used between concrete and base plates of posts.
3. All parts of Handrail shall be painted. The primer coat shall conform to the inorganic Zinc System. Surface preparation shall be in accordance with that for structural steel. The finish coat shall be in water-borne acrylic finish coat. All materials, equipment and labor necessary for the installation of the Handrail shall be subsidiary to the bid item "Bridge Handrail (Metal)".
4. The Contractor shall submit color chart for approval by the City.

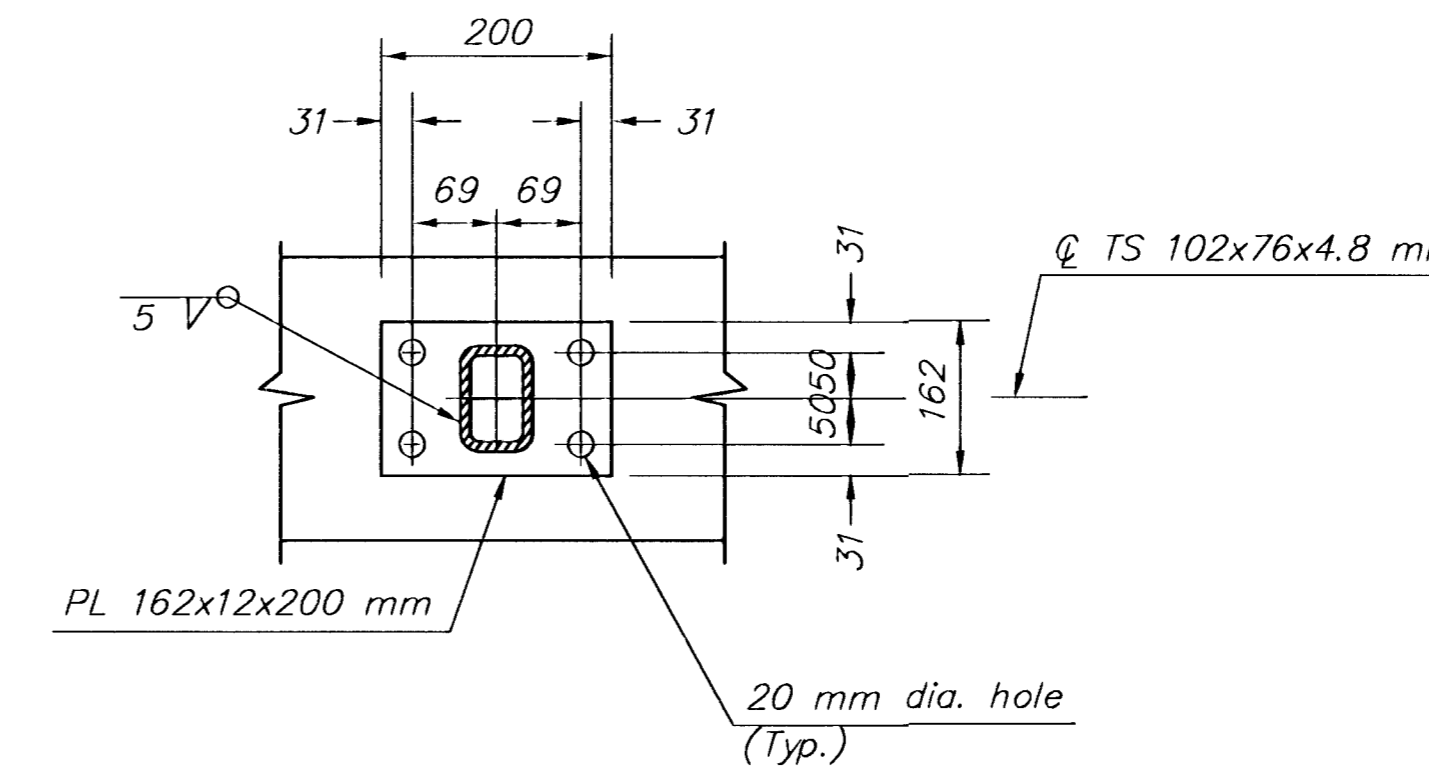


**TYPICAL RAIL SECTION**

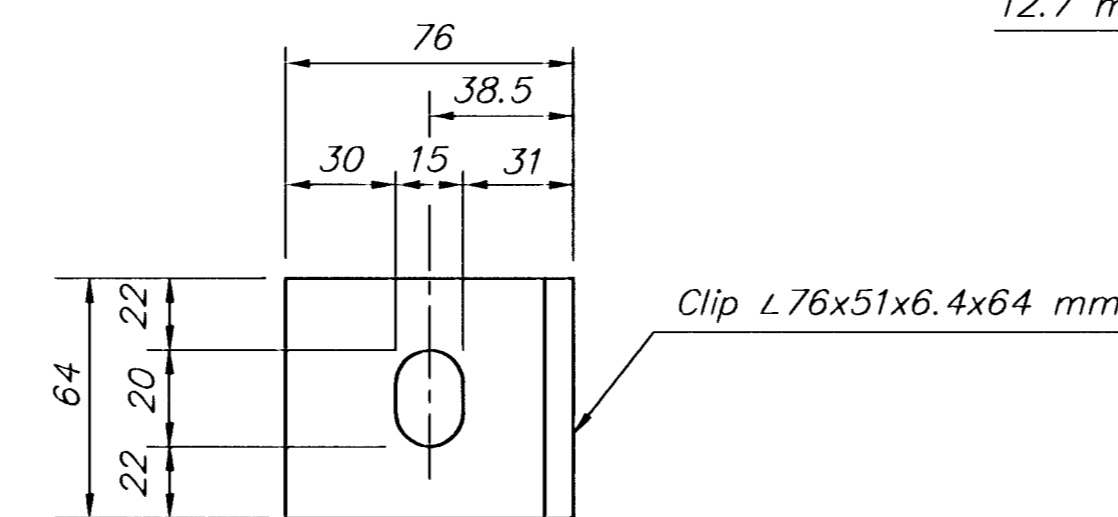
12.7 mm Dia. U-Bolts w/Hex Nuts, PL Washrs & Lock Washrs (All Galv.)



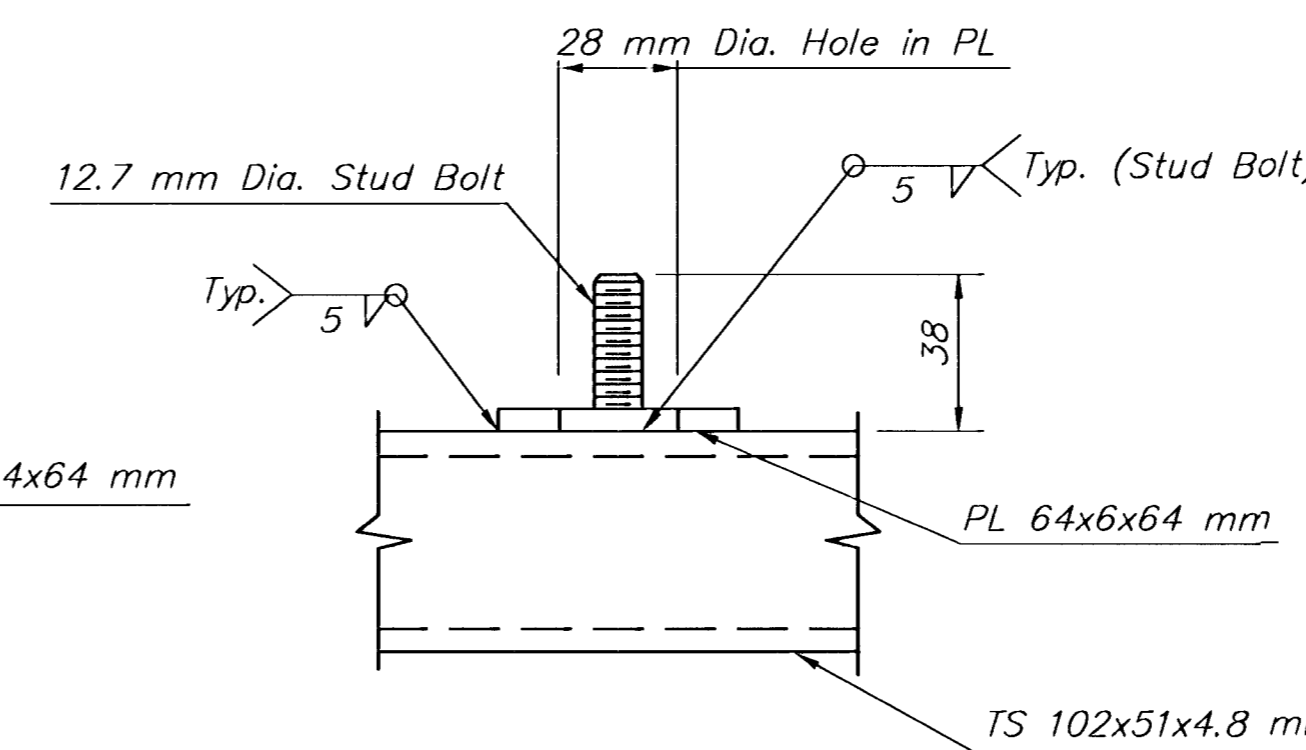
**RAIL CONNECTION DETAIL**



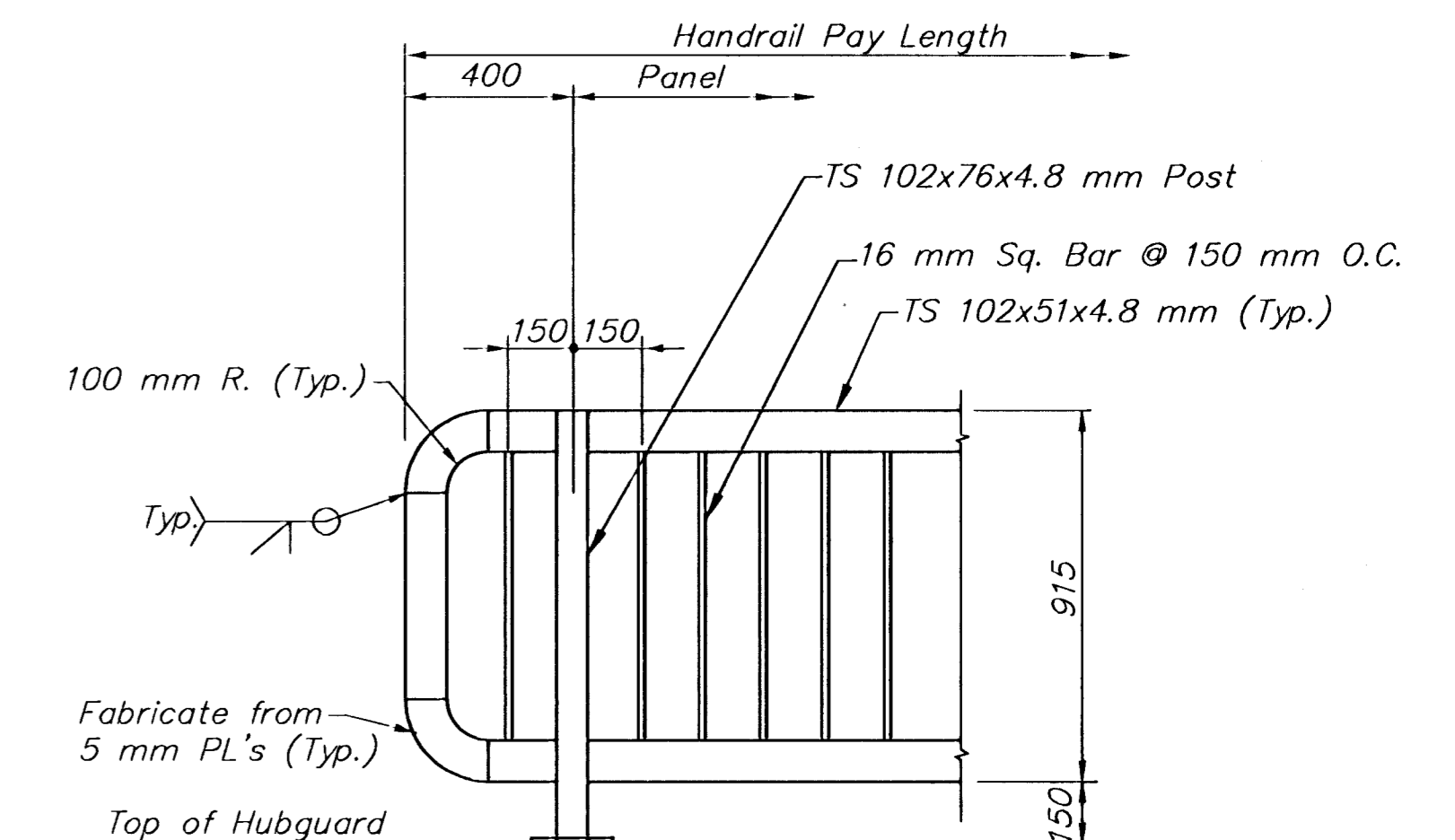
**BASE PLATE DETAIL**



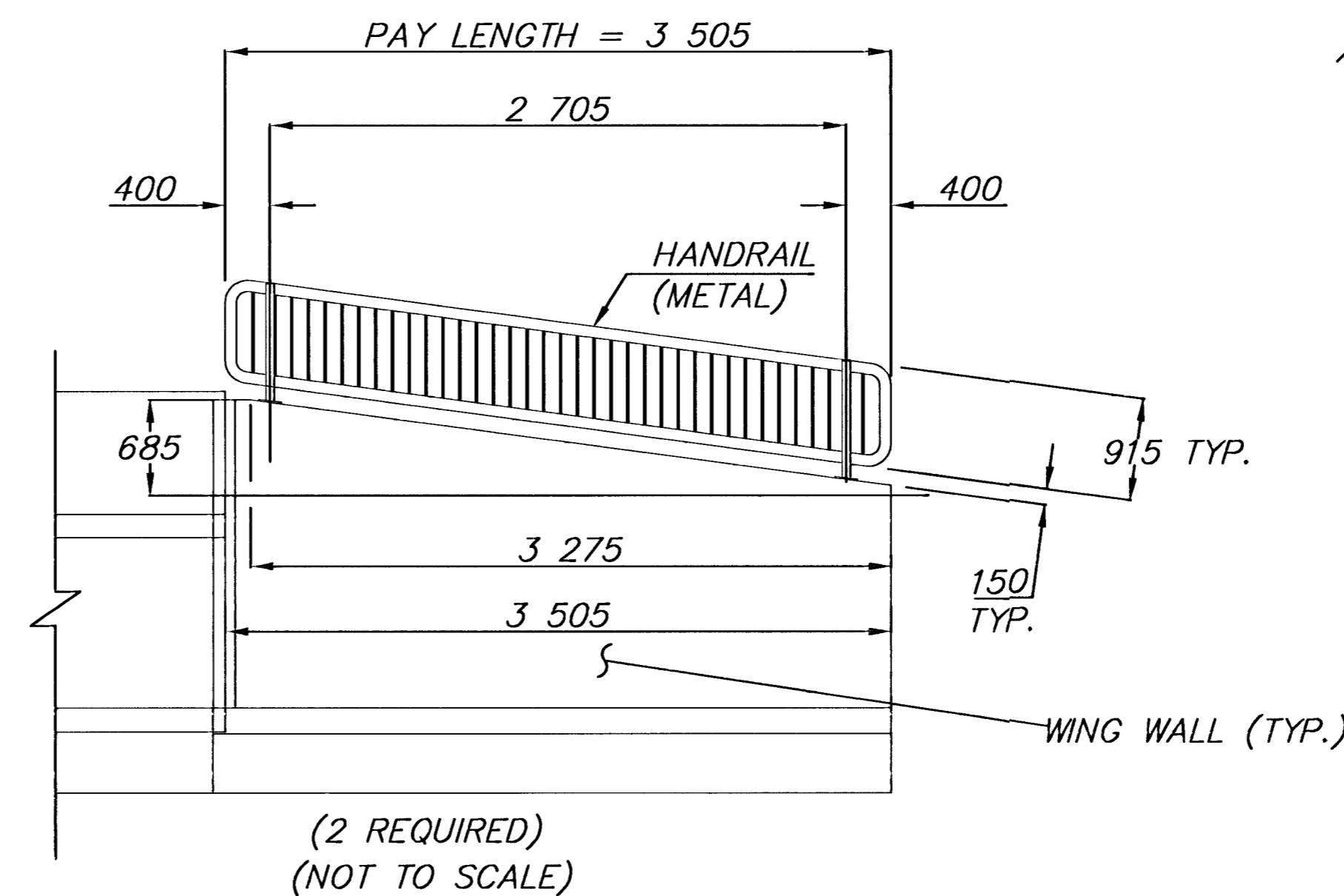
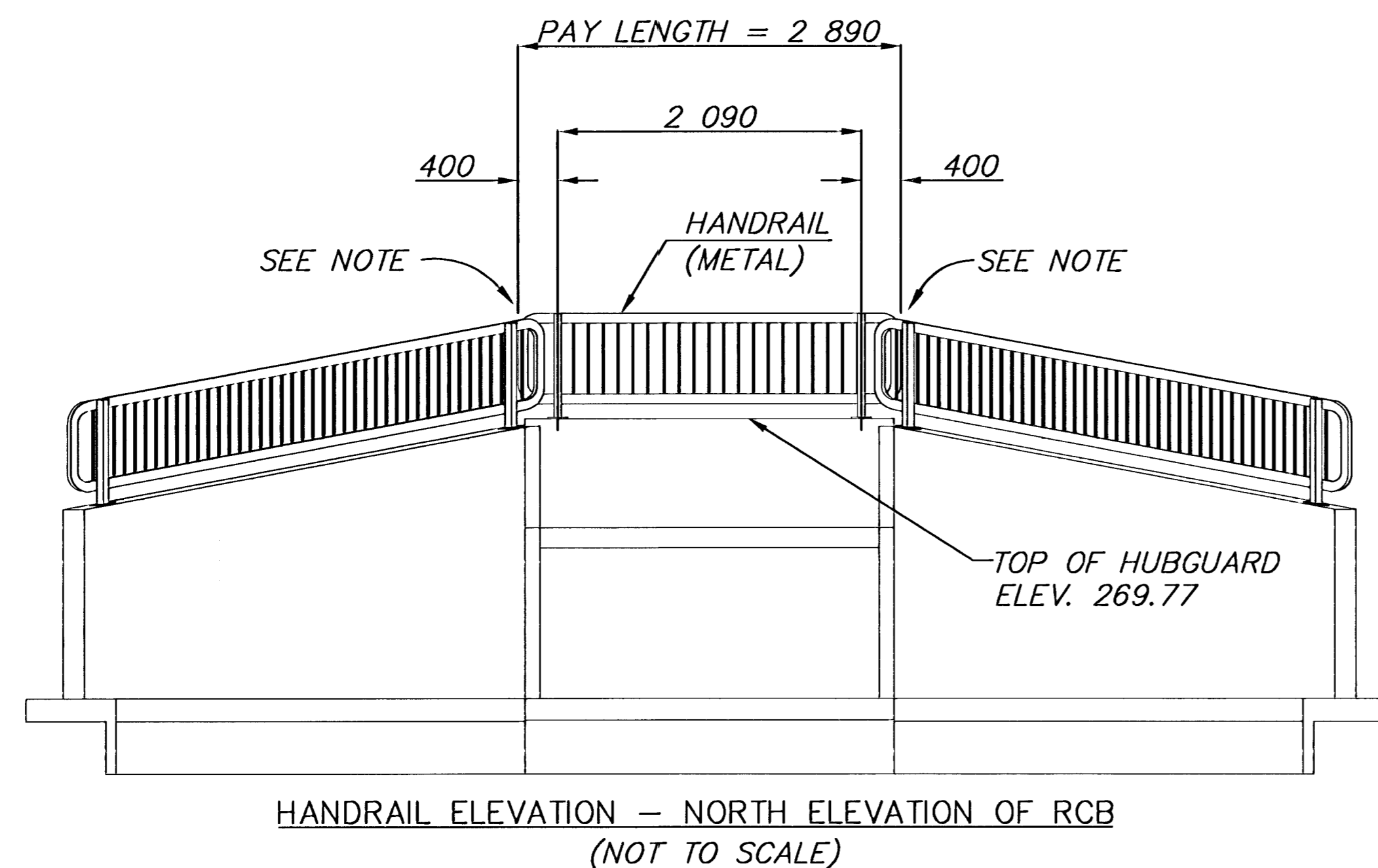
**CLIP DETAIL**



**STUD BOLT DETAIL**



**RAIL DETAIL**



C:\CIVIL\99257\DWG\SWS\RAILDWG

KANSAS DEPARTMENT OF TRANSPORTATION			
<b>HANDRAIL DETAILS</b>			
PROJECT NO.			
MID-KANSAS ENGINEERING CONSULTANTS, INC. WICHITA, KANSAS			
DESIGNED BY:	DFL	CHECKED BY:	GJA
DRAWN BY:	DAG	DATE:	JUNE 2001 78