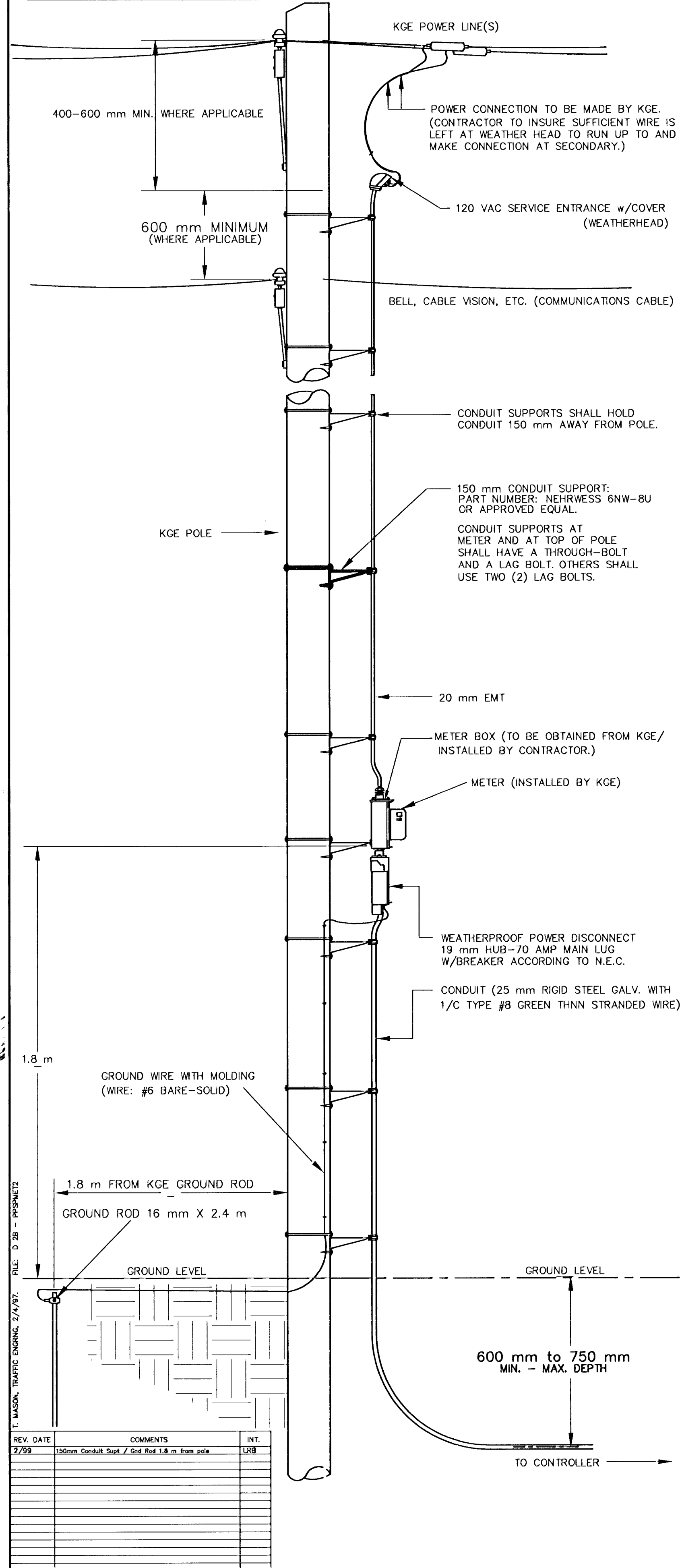
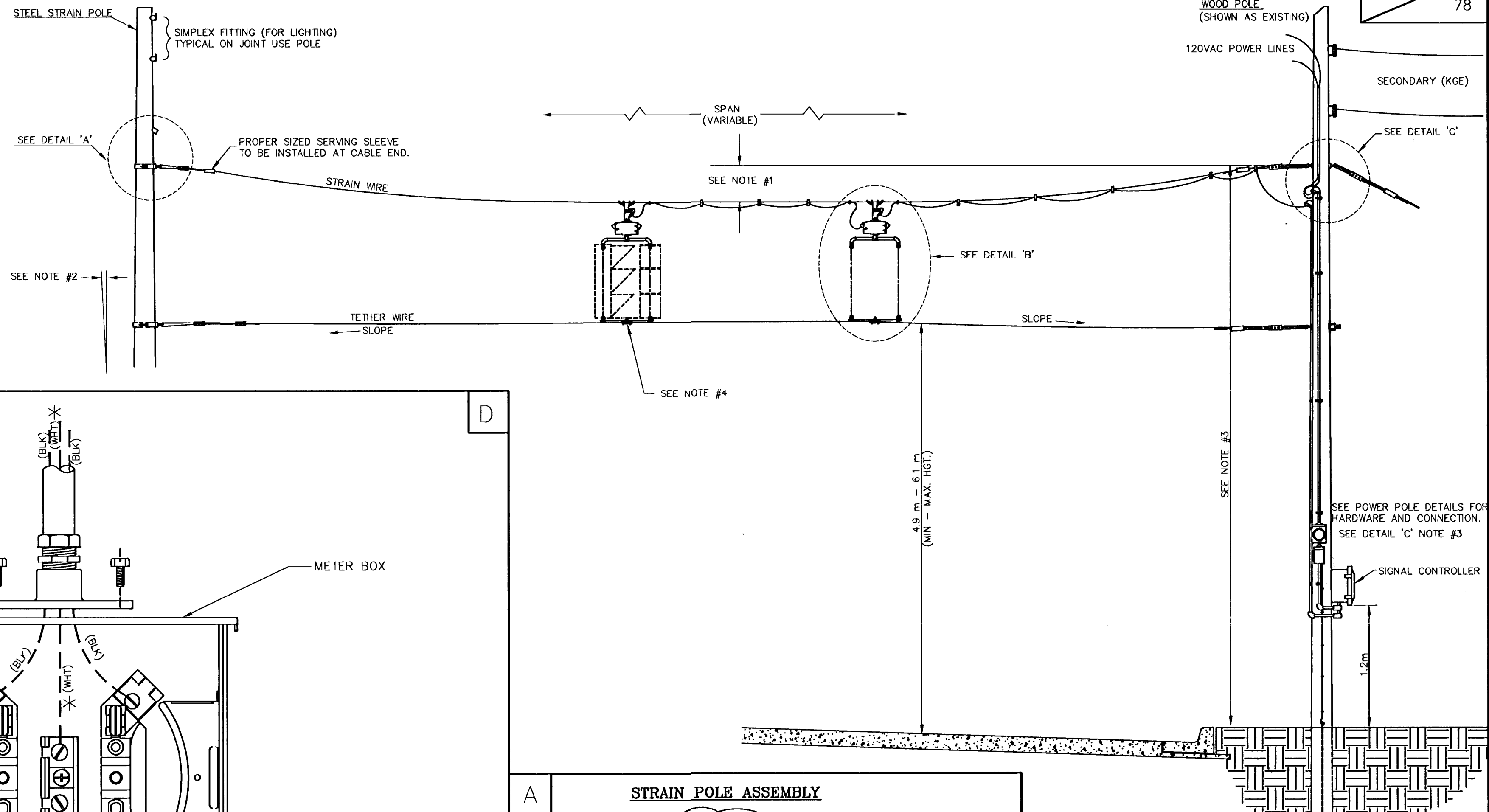


POWER POLE DETAILS

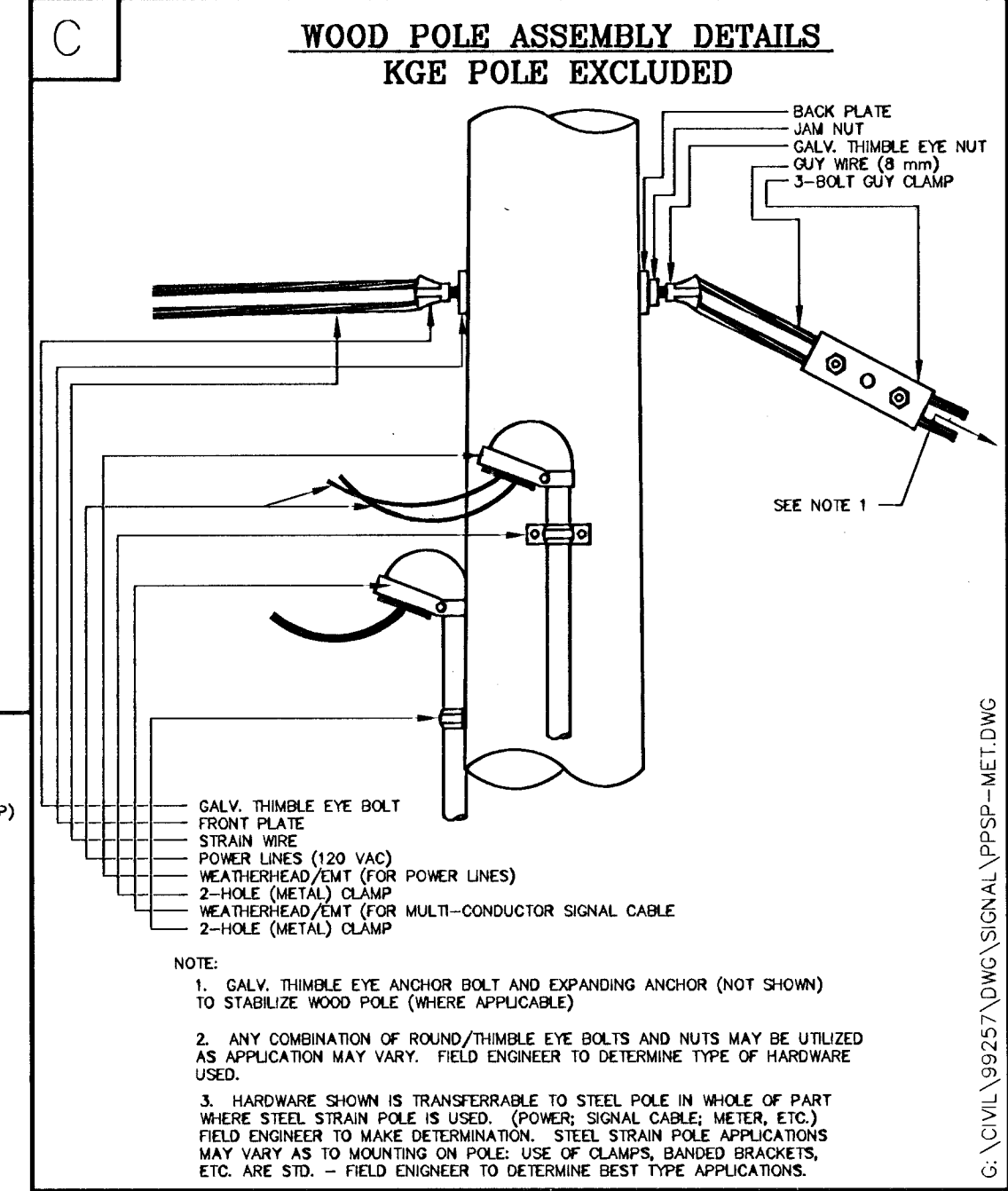
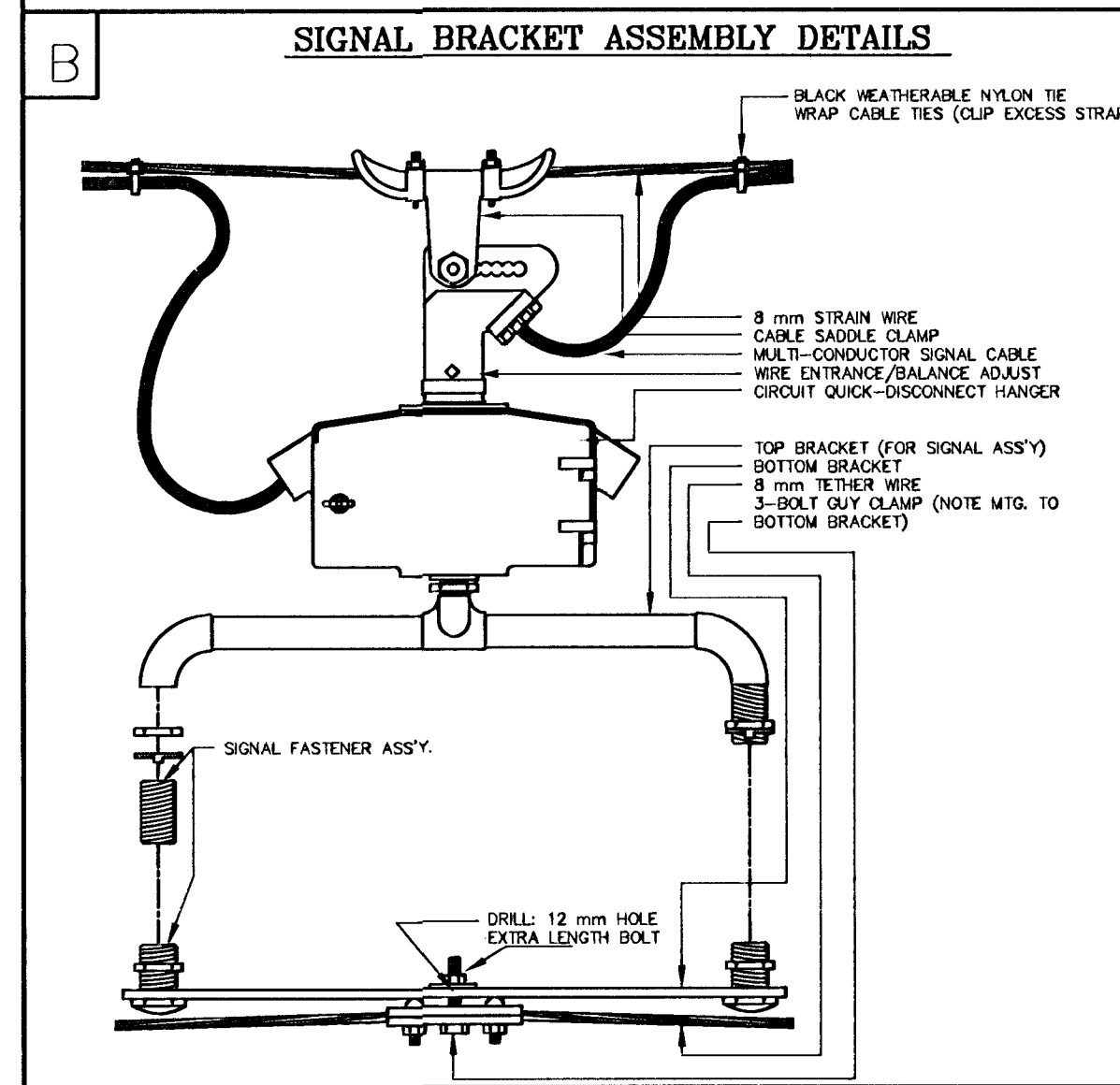
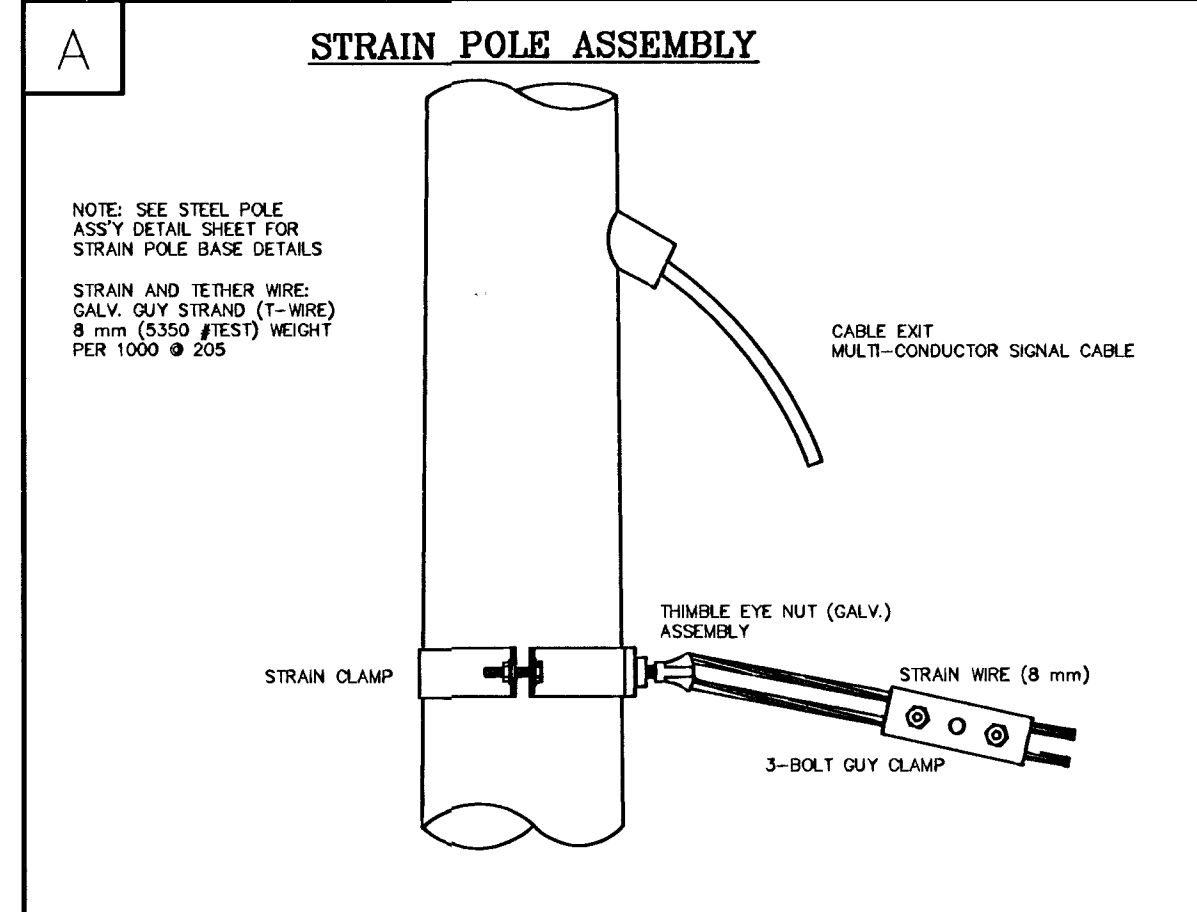
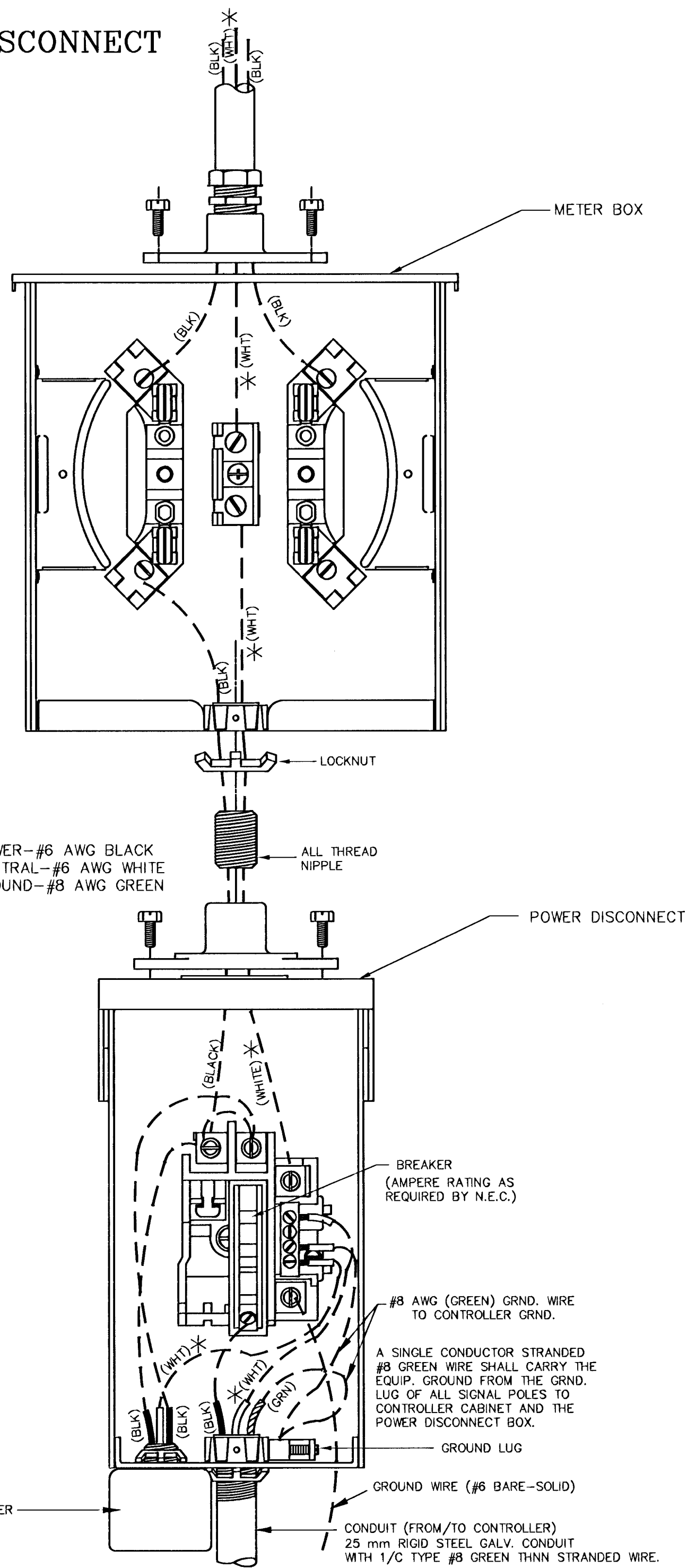


SPANWIRE ASSEMBLY DETAILS

1. MAX. SAG = 5% OF SPAN.
2. STANDARD BACKRAKE = 1.5'
3. HEIGHT OF STRAIN WIRE HOOK-UP TO BE DETERMINED BY FIELD ENGINEER. TRAFFIC SIGNAL CABLE TO BE SECURED TO STRAIN (SPAN) WIRE WEATHERABLE NYLON CABLE HANGERS (300 mm CTR.) DETAIL 'B'
4. TETHER CLAMP TO BE DESIGNED TO RELEASE UNDER 'HIGH WIND LOAD' TO PERMIT SIGNAL 'FREE SWING'.



METER BOX & POWER DISCONNECT DETAILS



PROJECT DESCRIPTION		
POWER POLE AND SPAN POLE ASSEMBLY DETAILS		
STANDARD APPLICATIONS		
PROJECT NUMBER		
DRAWN BY: TM	APPROVED BY	REVISED: LRB
DATE: Feb. 96		DATE: 2/26/99
CITY OF WICHITA DEPARTMENT OF PUBLIC WORKS		
TRAFFIC ENGINEERING DIVISION		
RANDALL W. HOSKINS, P.E., TRAFFIC ENGINEER		SCALE
		NO SCALE