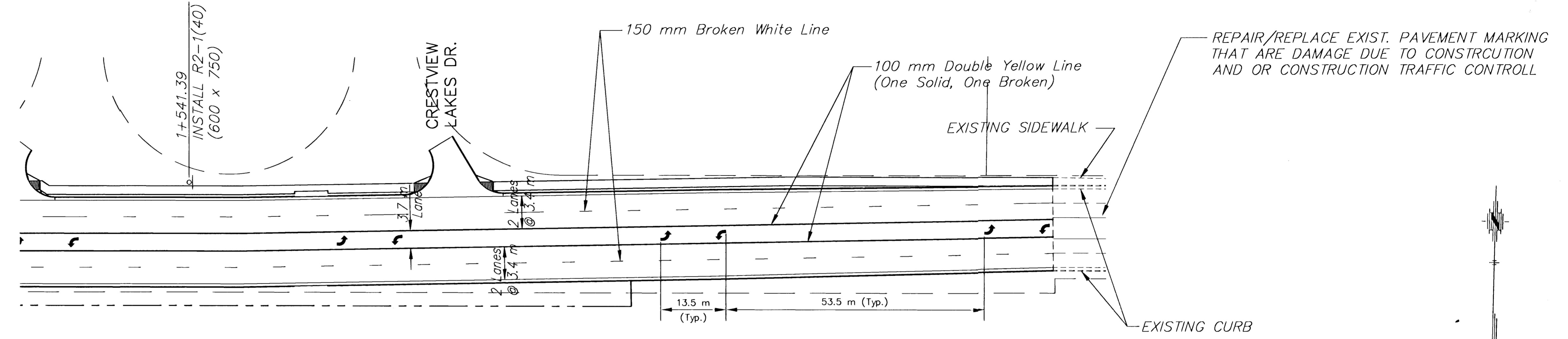


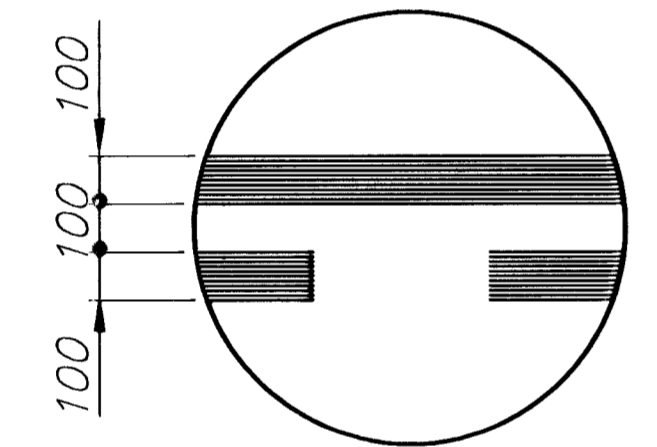
FHWA REG NO.	STATE	PROJECT NO.	YEAR	SHEET NO	TOTAL SHEETS
7	KANSAS	87-N-0200-01	2001	53	72

BY	DATE
REFERENCES NOTED	
REFERENCES CHECKED	

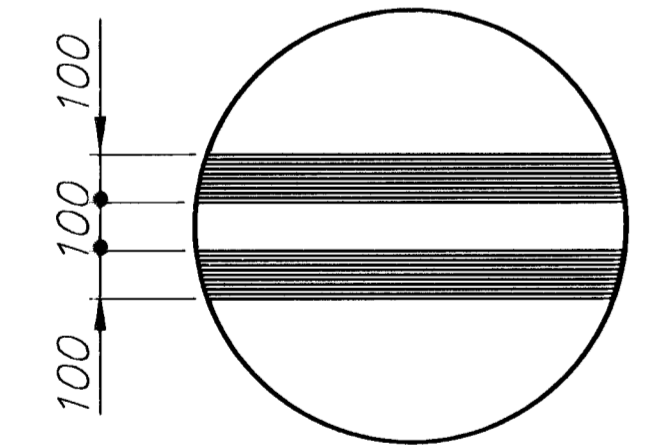


21ST MARKING & SIGNING PLAN

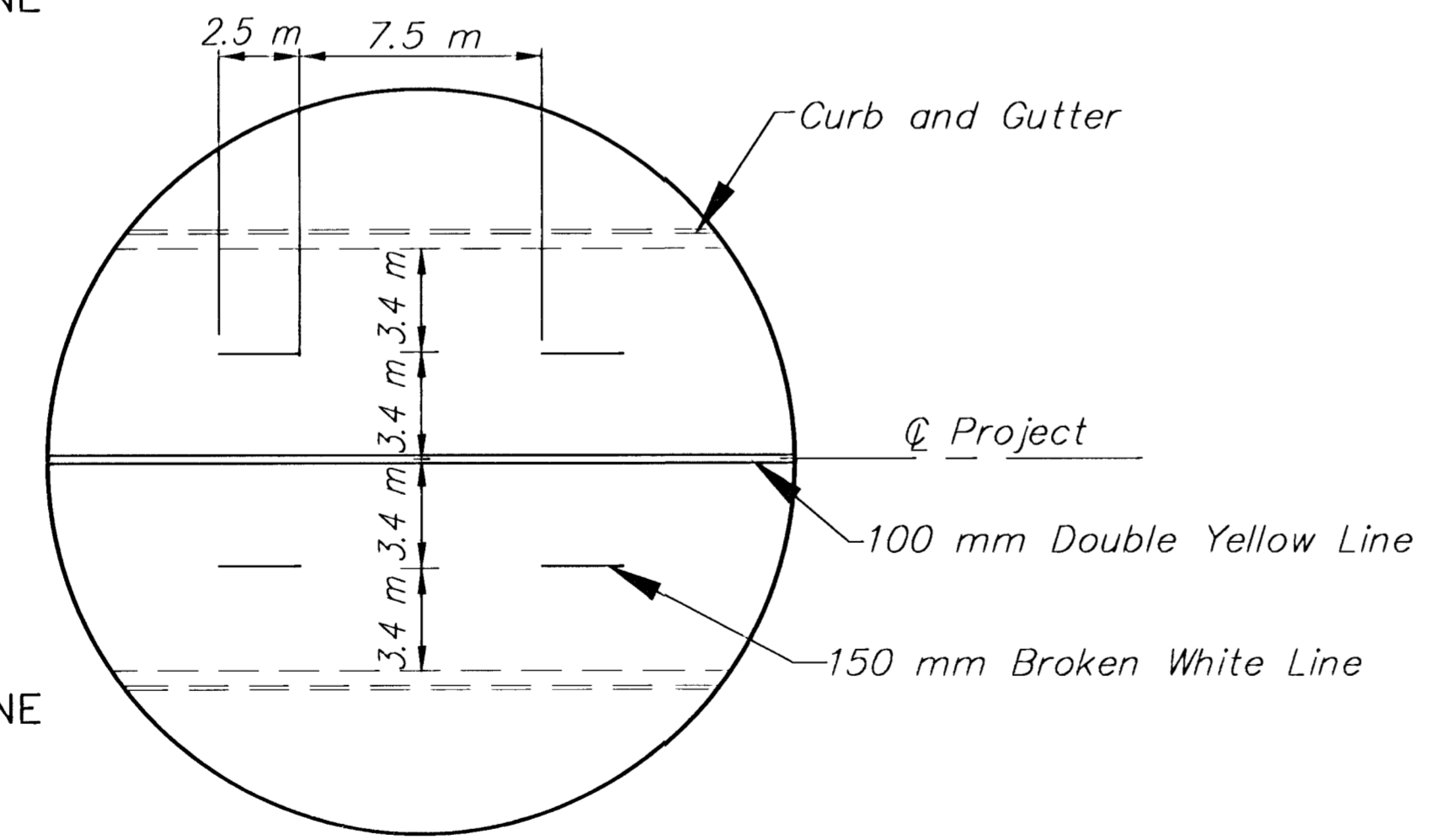
SCALE= 1:500



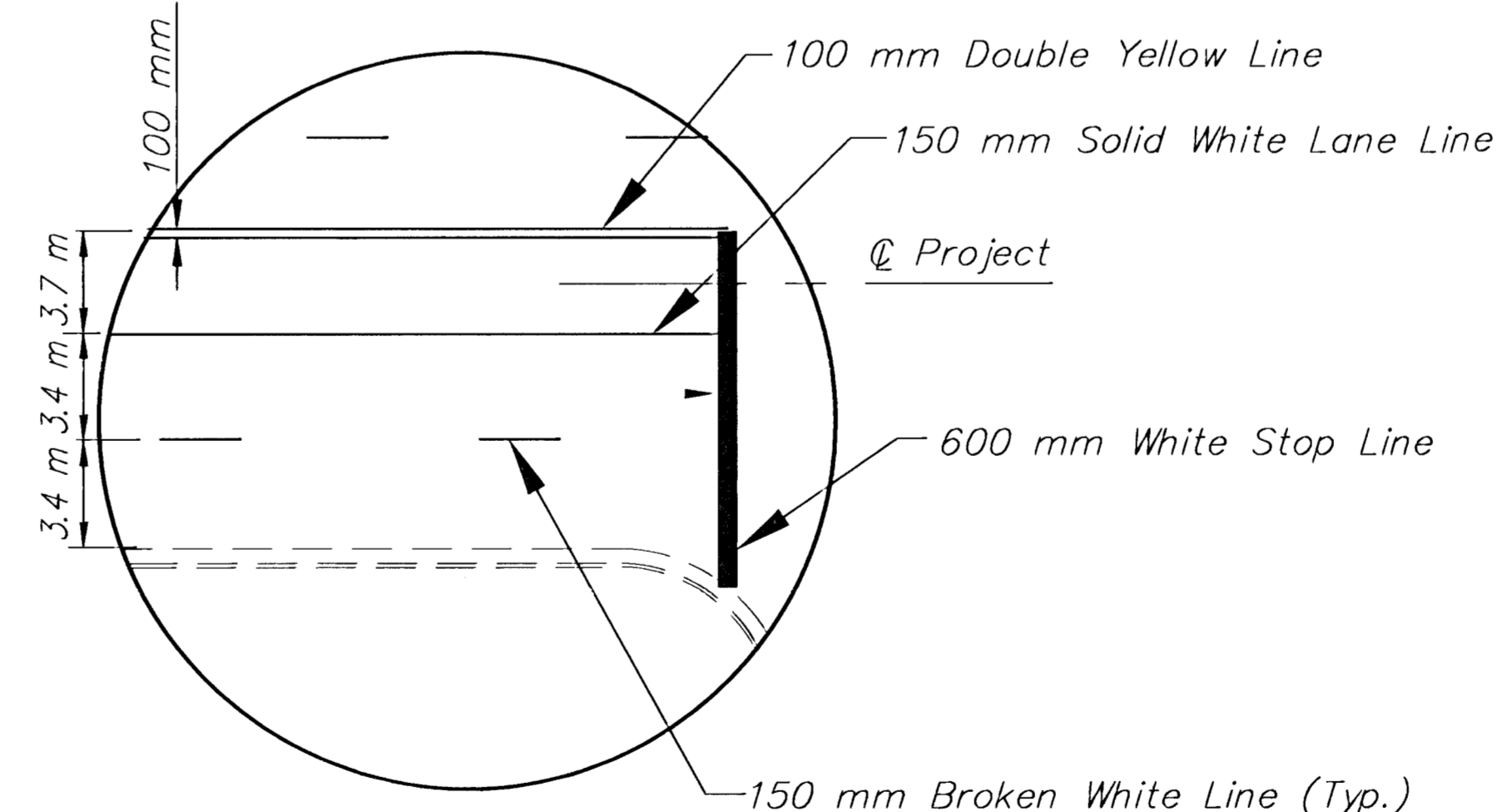
TYPICAL 100 mm DOUBLE YELLOW LINE (ONE SOLID, ONE BROKEN)



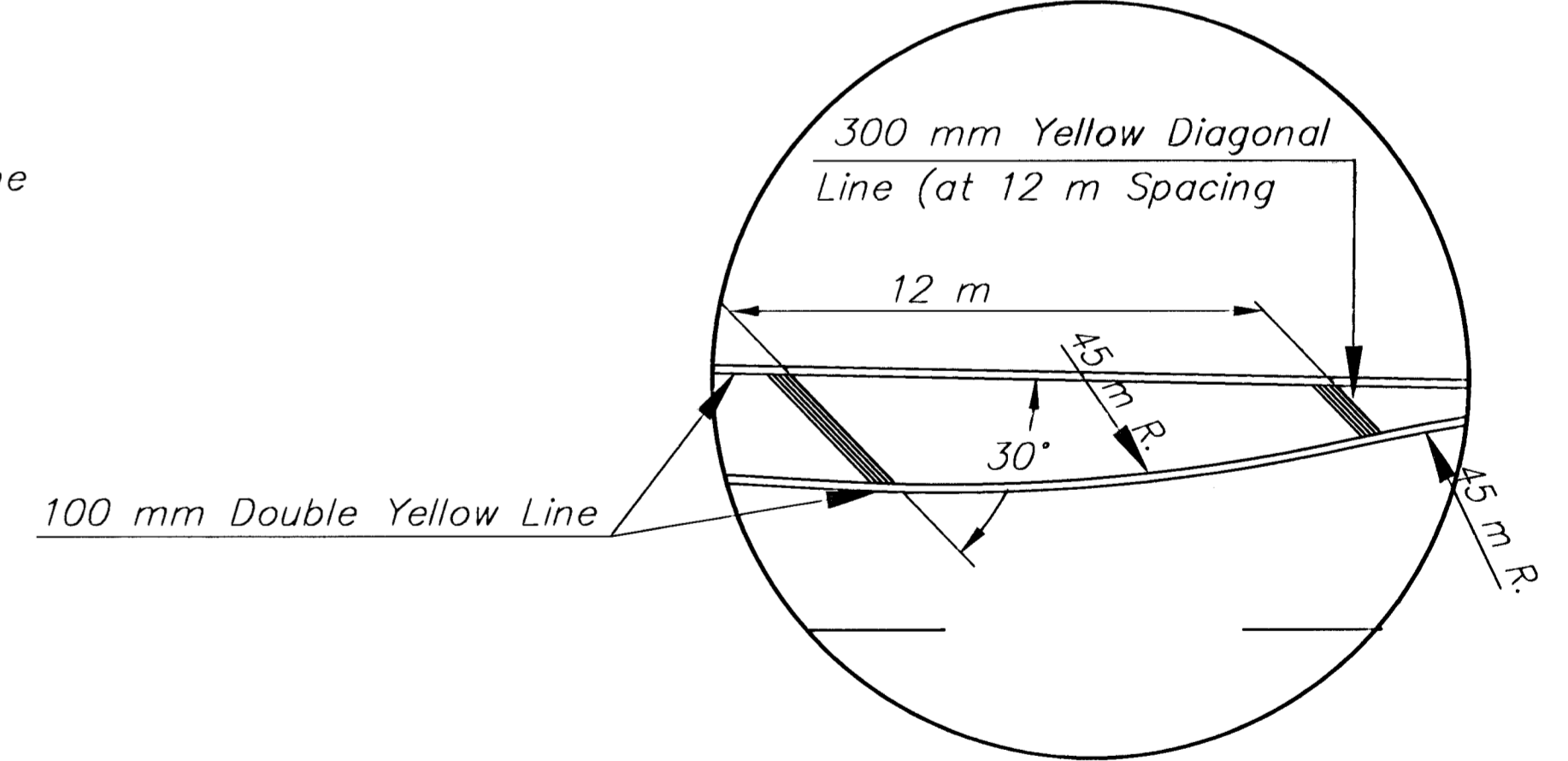
TYPICAL 100 mm DOUBLE YELLOW LINE



TYPICAL LANE DETAIL



TYPICAL LEFT TURN BAY



TYPICAL TRANSITION BAY

RECAPITULATION OF QUANTITIES		
ITEMS	TOTAL	UNITS
150mm Broken White Line	474	LIN. M.
100mm Solid Yellow Line	2100	LIN. M.
100mm Broken Yellow Line	155	LIN. M.
300mm Diagonal Yellow Line	19	LIN. M.
150mm Solid White Line	81	LIN. M.
600mm Solid Stop Bar Line	39	LIN. M.
Turn Arrows	11	EACH

NOTE: Pavement Markings Are Bid Lump Sum

NO.	DATE	REVISIONS	BY	APP'D

KANSAS DEPARTMENT OF TRANSPORTATION
PAVEMENT MARKING & SIGNING PLAN
21ST STREET NORTH
 PROJ. NO. 87-N-0200-01
MKEC ENGINEERING CONSULTANTS, INC.
 WICHITA, KANSAS

DESIGNED BY: DFL CHECKED BY: GJA
 DRAWN BY: GJR DATE: JUNE 2001 SHEET 53 OF 78