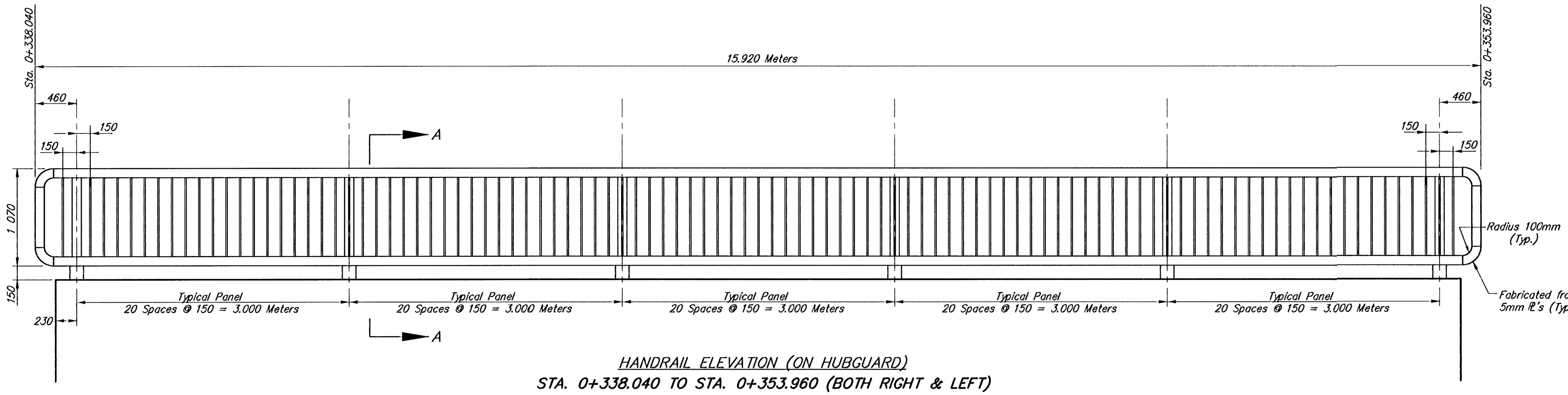


FHWA REGION NO.	STATE	PROJECT NUMBER	FISCAL YEAR	SHEET NUMBER	TOTAL SHEETS
7	KANSAS	87N-0078-01	1996	14	33

DATE	
BY	
REFERENCES NOTED	
REFERENCES CHECKED	



BRIDGE HANDRAIL NOTES:

The rail members shall conform to ASTM Designation A36 or equivalent.

Rail shall be fabricated in lengths to include a minimum of two and a maximum of five panels. Posts shall be set vertical. Shimms may be used between concrete and base plates of posts.

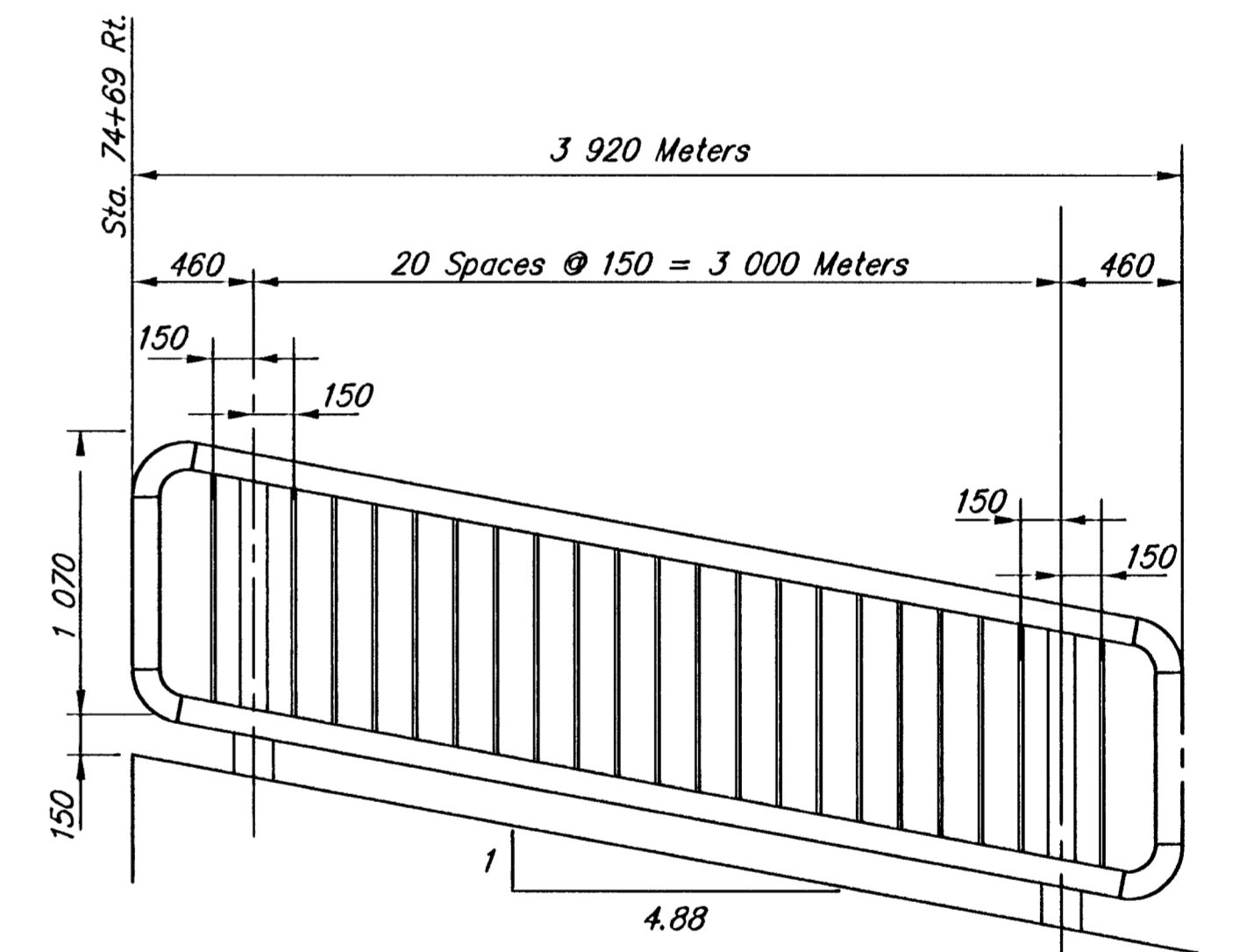
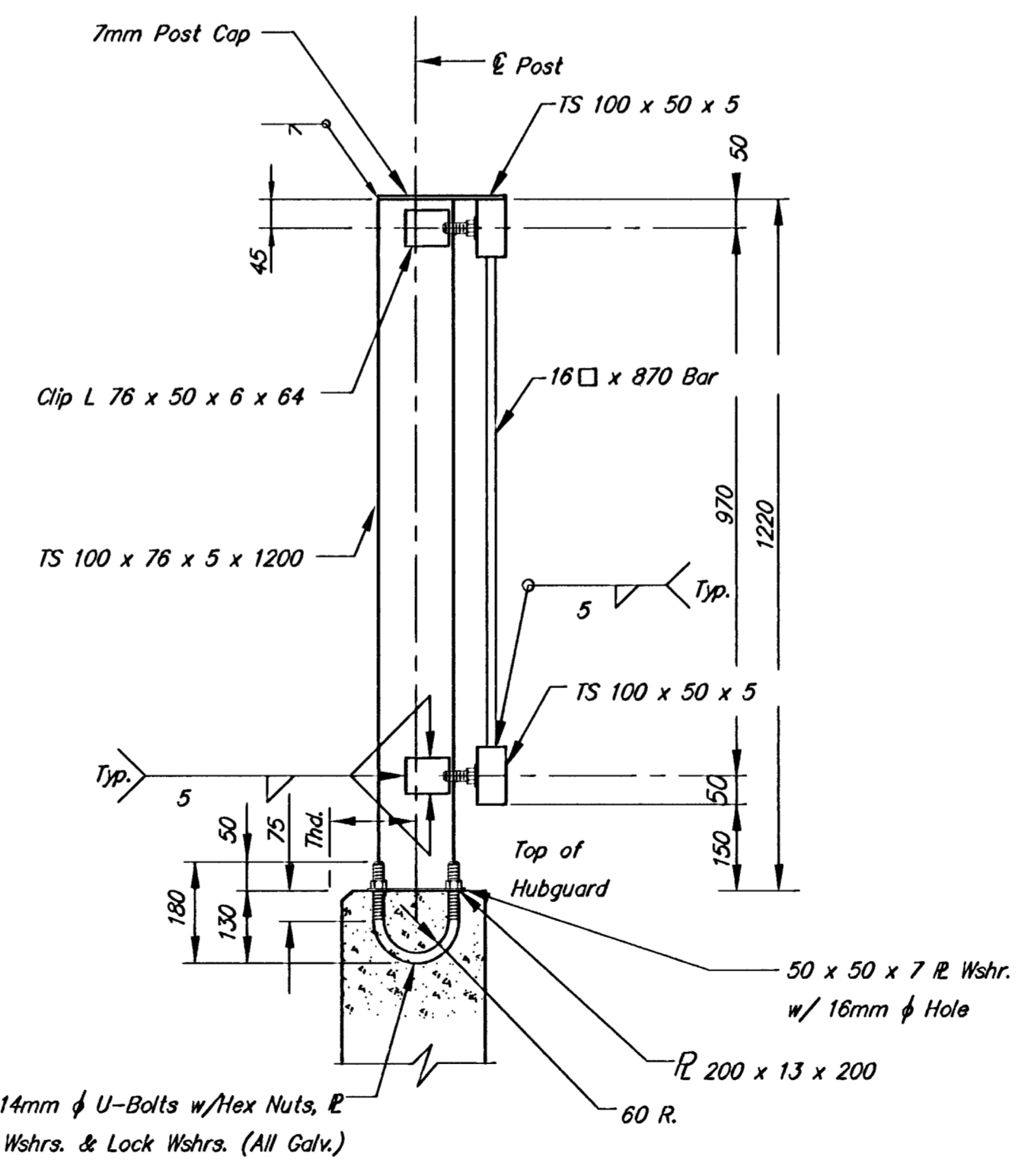
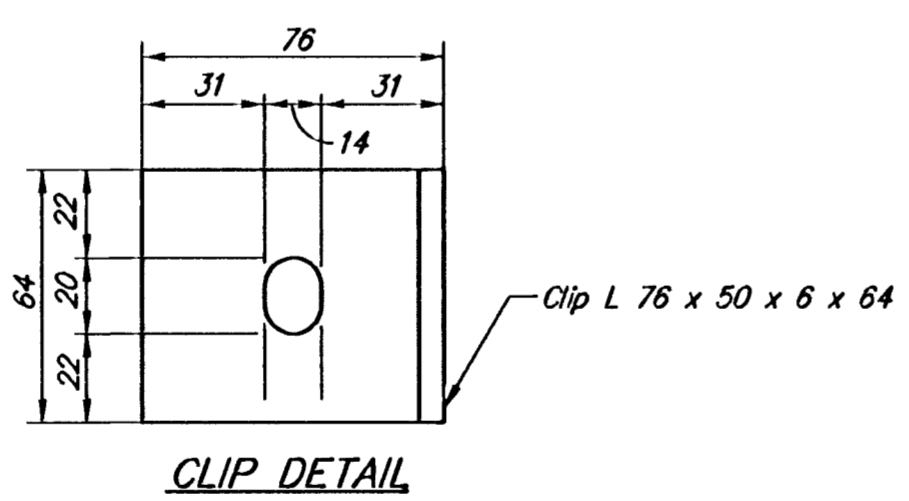
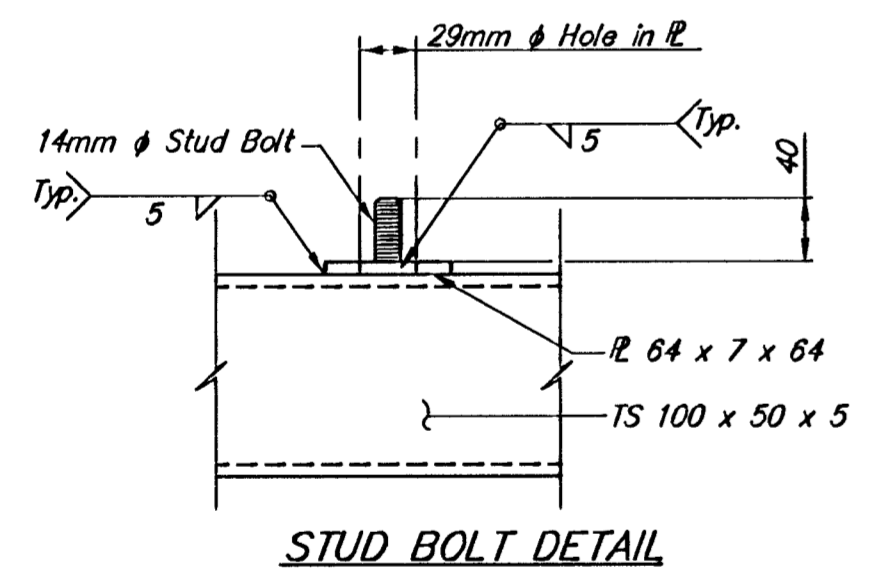
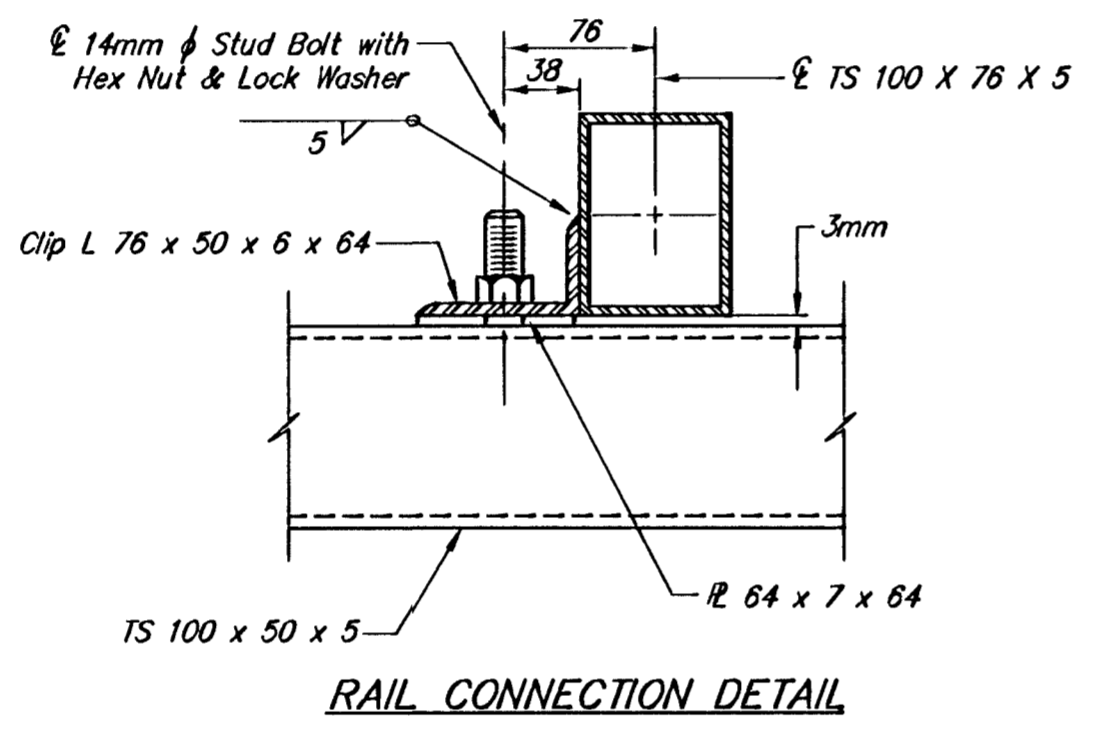
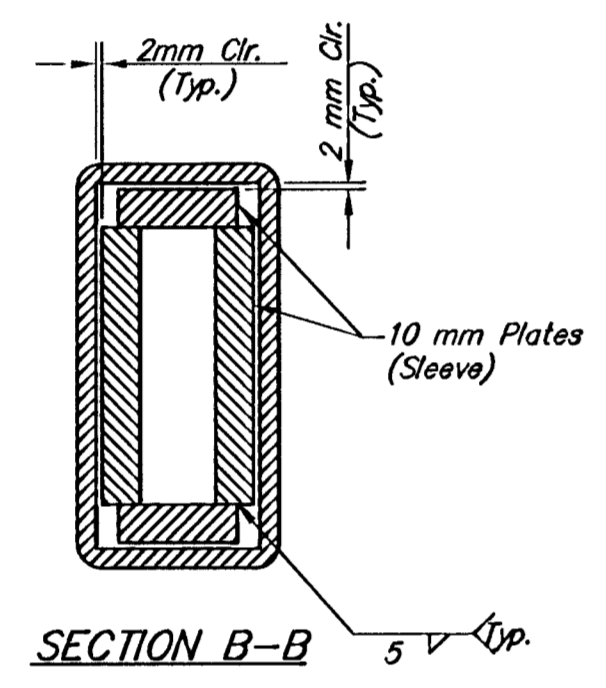
All parts of the Bridge Handrail shall be painted. The primer coat shall be inorganic Zinc per the Standard Specifications for State Road and Bridge Construction, 1990 Edition, Kansas Department of Transportation.

The finish coat shall be "HIGH BUILD POLYURETHANE FINISH COAT" per section 1800 of the Special Provision to the Standard Specifications Edition of 1990, Kansas Department of Transportation.

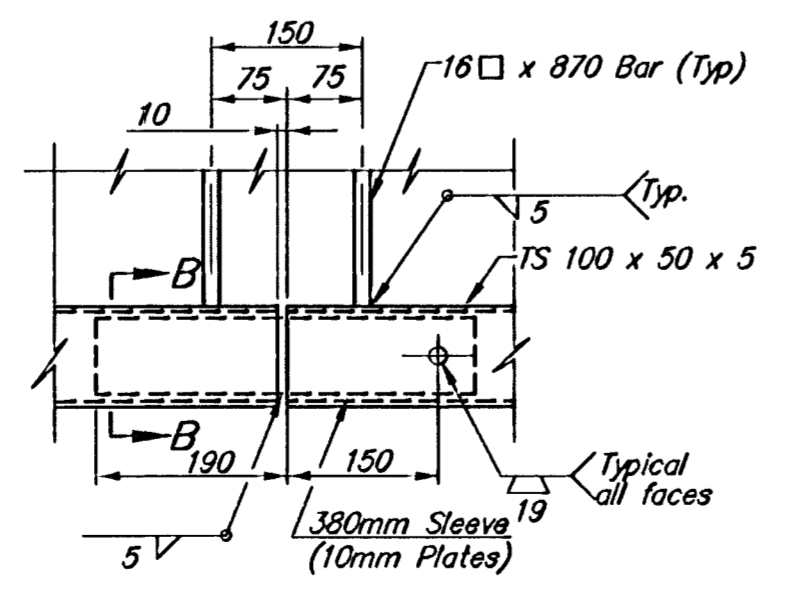
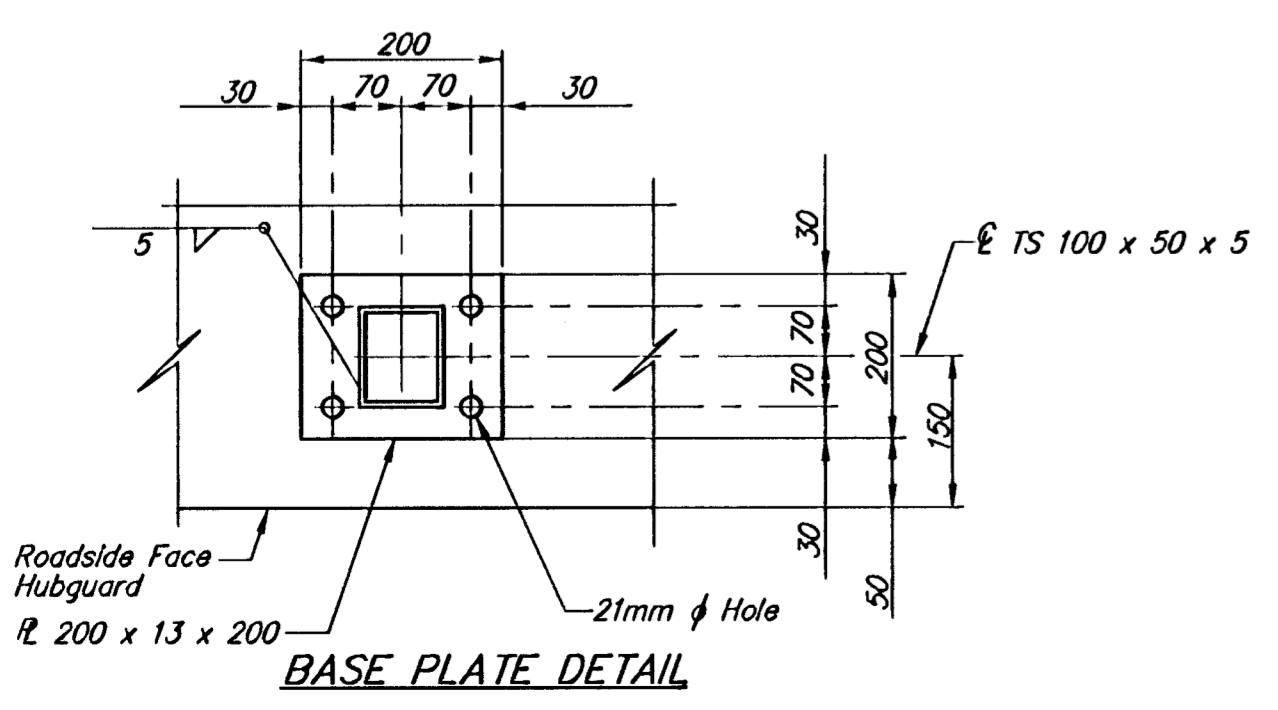
All materials, equipment and labor necessary for the installation of the Handrail on the bridge shall be subsidiary to the bid item "Bridge Handrail (Metal)".

The finish coat shall be olive green in color. Contractor to submit color chart to Engineer for approval. Touch Up: All bolts, nuts and studs and other small areas of damaged paint (1 sq. m. or less) requiring touch up will be prepared and painted w/approved aluminum epoxy mastic primer.

**HANDRAIL ELEVATION (ON HUBGUARD)
STA. 0+338.040 TO STA. 0+353.960 (BOTH RIGHT & LEFT)**



**HANDRAIL ELEVATION
FOR RCB WINGWALLS
STA. 0+338.267 LT. & RT.
STA. 0+353.733 LT. & RT.**



**SLEEVE DETAIL
29th STREET BRIDGE
HANDRAIL DETAILS**

STA. TO STA.	RAIL LENGTH
0+338.040 TO 0+353.960 (Left Hubguard)	15 920 m
0+338.040 TO 0+353.960 (Right Hubguard)	15 920 m
0+338.267 (Left Wingwall)	3 920 m
0+338.267 (Right Wingwall)	3 920 m
0+353.733 (Left Wingwall)	3 920 m
0+353.733 (Right Wingwall)	3 920 m
Total	47 520 m

**HANDRAIL (METAL) DETAIL
29TH STREET BRIDGE**

SRB 924 NORTH MAIN 316-264-8008
WICHITA KANSAS 67203 FAX 284-4821

SAVOY, RUGGLES & BOHM, P. A.
ENGINEERING & SURVEYING

PROJECT NUMBER
472-82414

DRAWN: CMB DESIGN: CMB REVIEW: TCR DATE: 4-98 UTILITY: SRB JOB: 95E SHEET: 14 TOTAL: 33