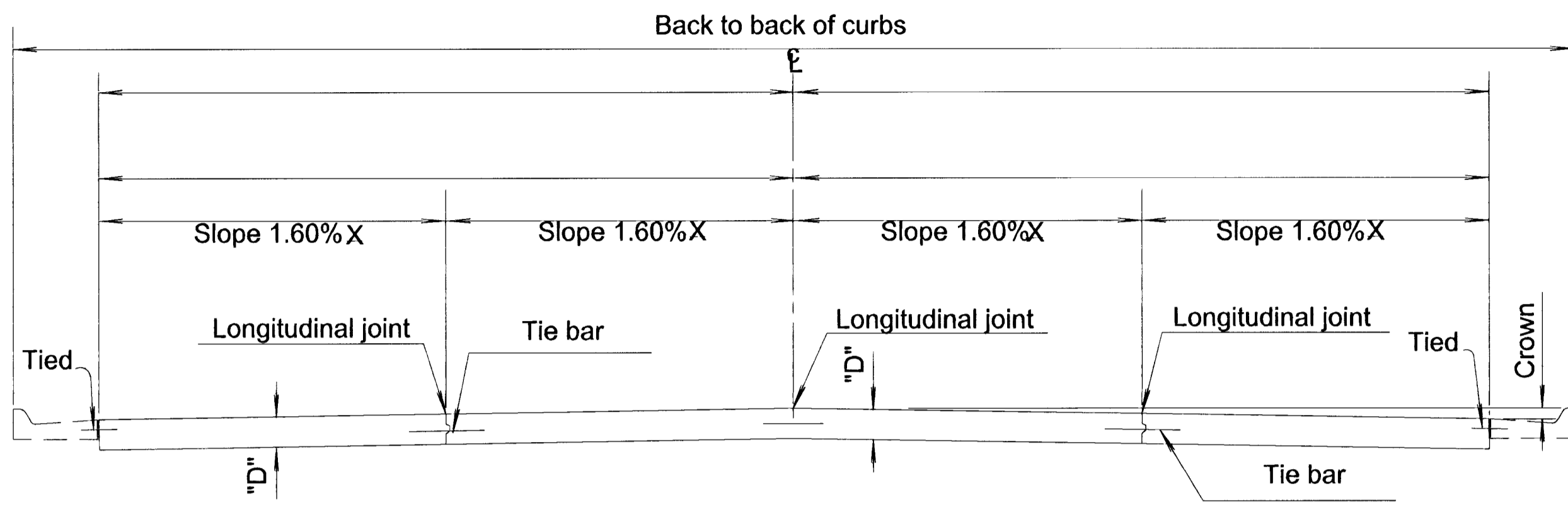


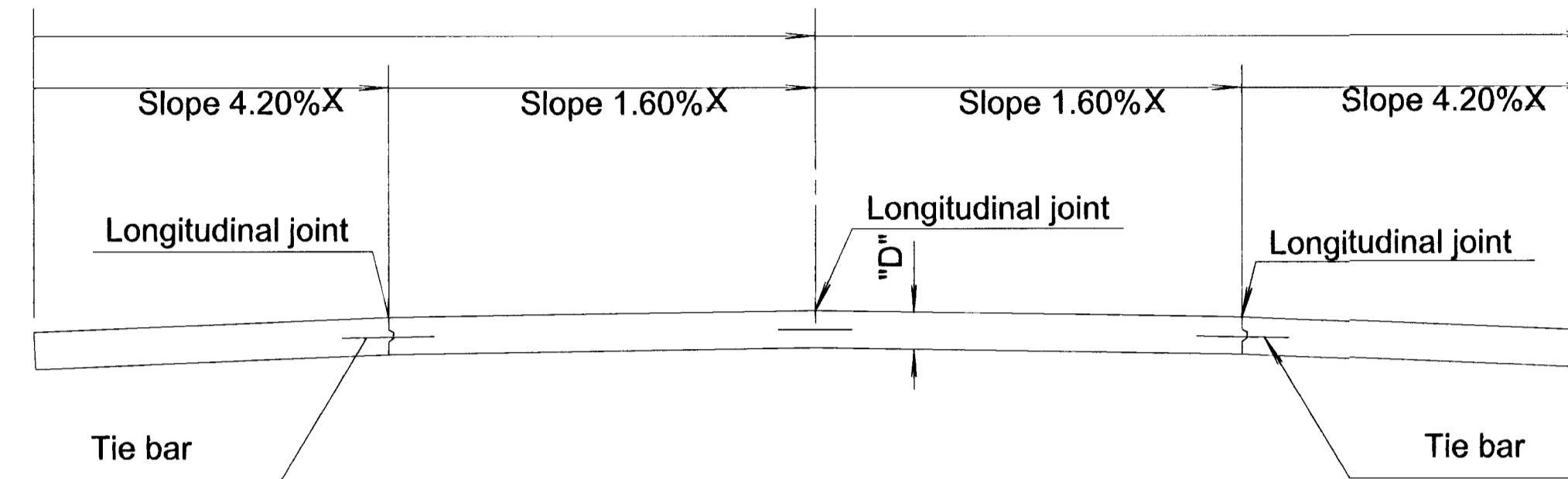
FHWA REGION NO.	STATE	PROJECT NO.	YEAR	SHEET NO.	TOTAL SHEETS
7	KANSAS	87 N-0194-01	2001	12	43



For Curb & Gutter details see Standard Drawing RD740 SI.

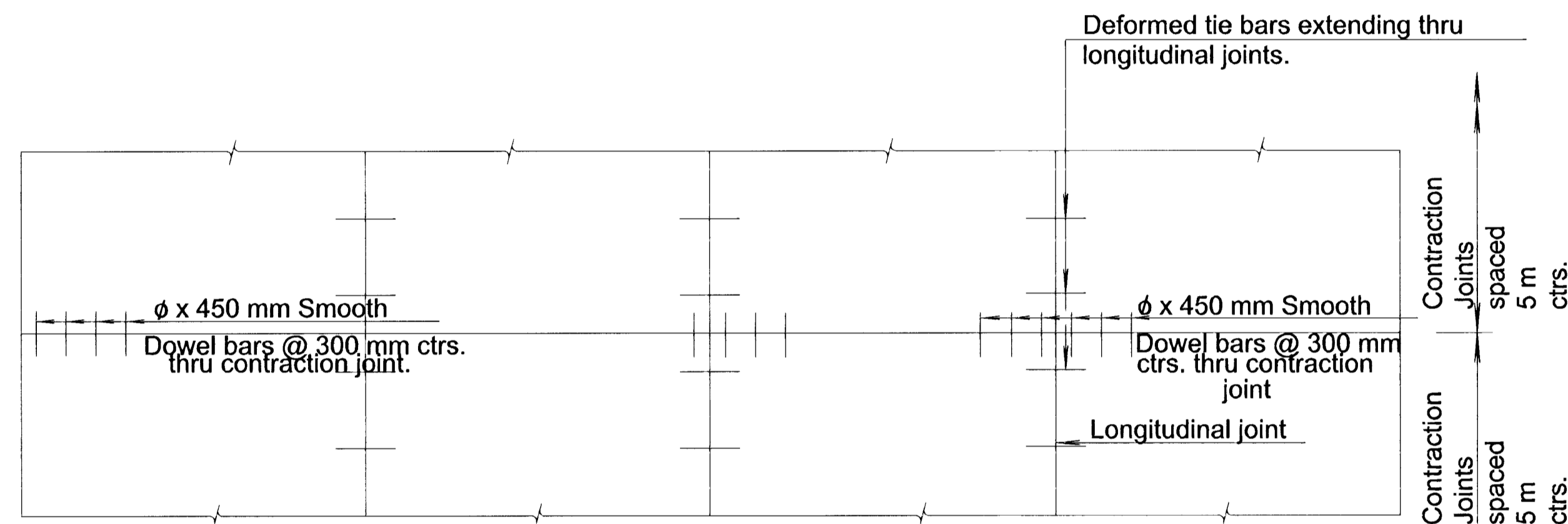
**TRANSVERSE SECTION
(4 - LANE WITH CURB & GUTTER)**

X Normal cross slopes. See Typical Section or Cross Sections for variations.

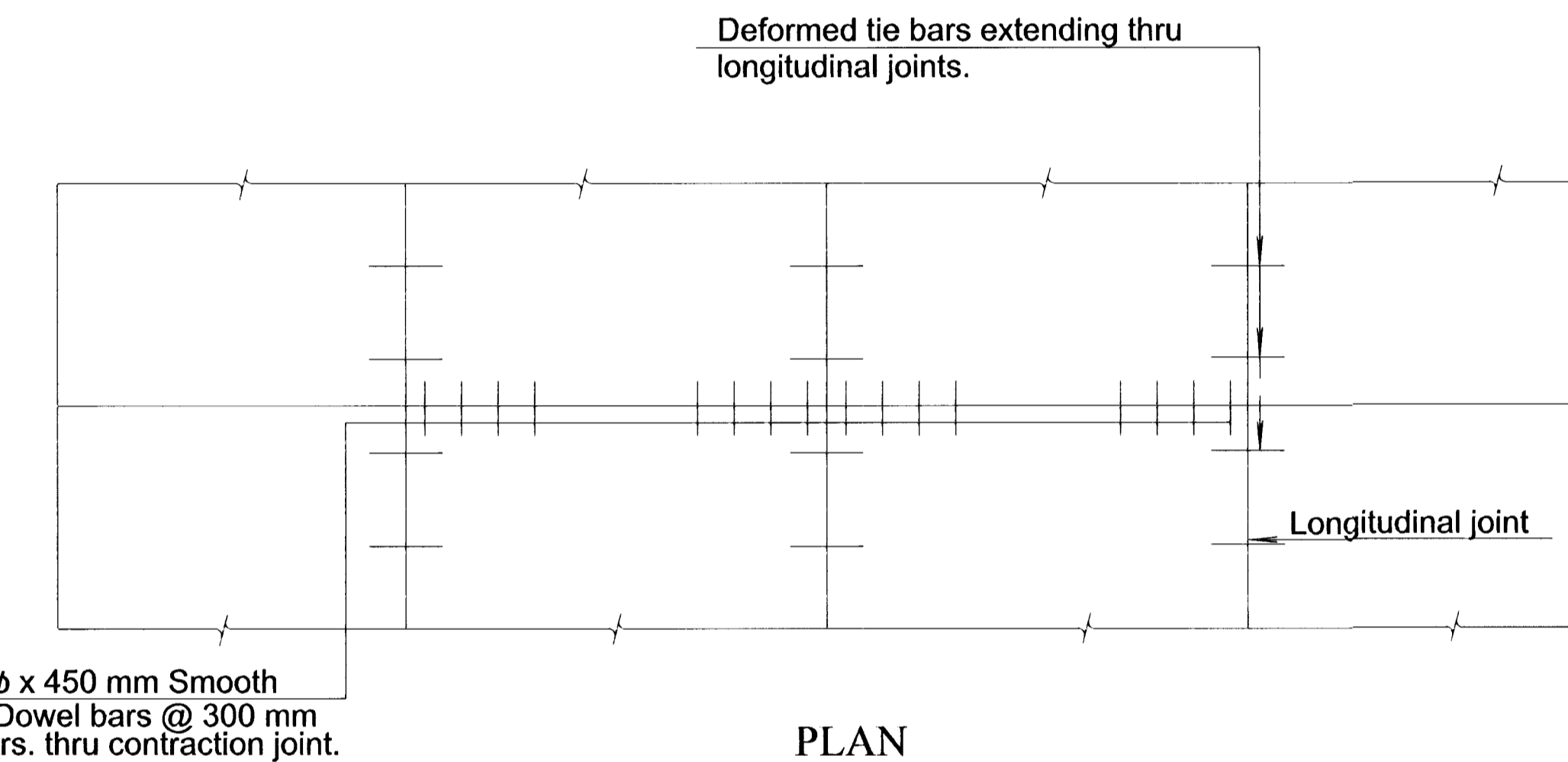


**TRANSVERSE SECTION
(2 - LANE WITH SHOULDERS)**

GENERAL NOTE
 All deformed tie bars shall be epoxy coated. Deformed tie bars which require bending shall be billet steel reinforcing bars, Grade 300, and may be epoxy coated. Pressure relief joints (without load transfer devices) shall be placed at the end of the bridge approach pavement slab. For details of pressure relief joint, see Concrete Bridge Approach Standard Drawing. Unless otherwise noted, load transfer devices as shown in detail shall be used at all contraction joints on mainline pavement. No dowels will be used on shoulder contraction joints unless specifically shown on plans. All joints on this project shall be sawed and filled with sealant. Shape of all keyed joints shall be similar to section of recessed form leg as shown on this sheet. See Standard Drawing RD681 SI for concrete shoulder details and corrugation details. All longitudinal joints shall be tied.



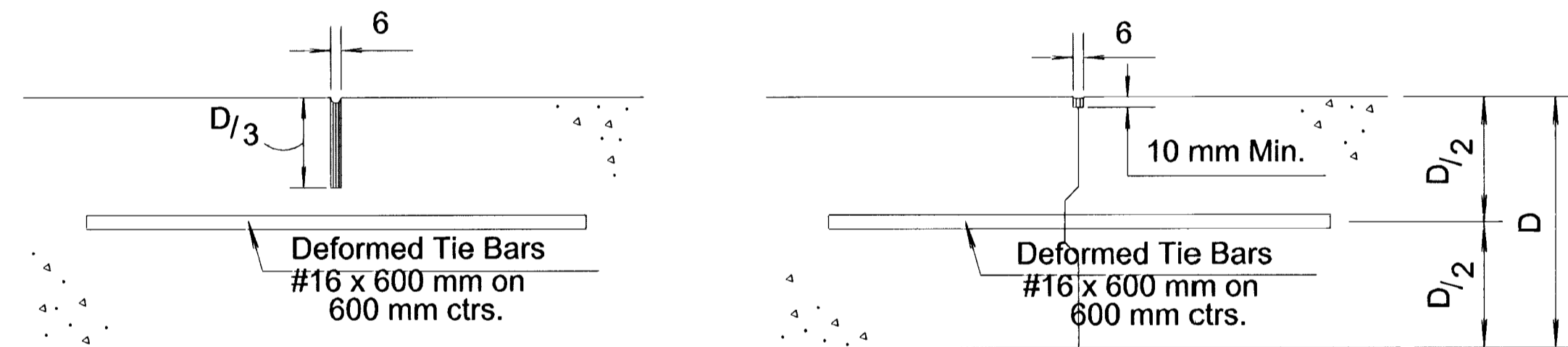
**PLAN
(4 - LANE WITH CURB & GUTTER)**



**PLAN
(2 - LANE WITH SHOULDERS)**

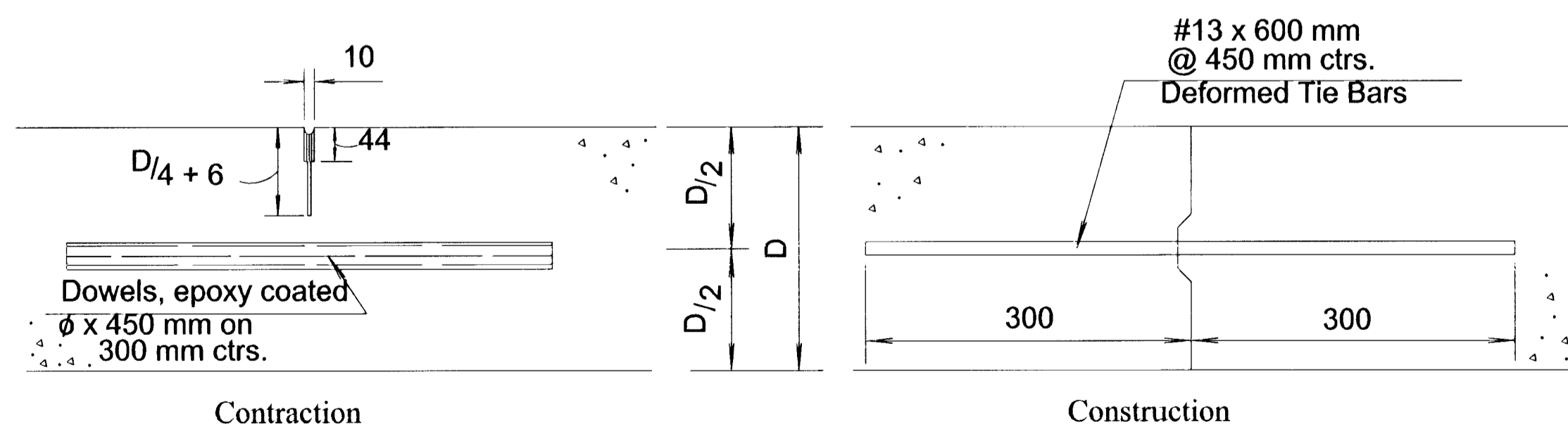
DOWEL SIZE	
D - mm	Dia. mm
160	25
180	25
200	25
220	29
240	32
260	32
280	35
300	38
320	41
340	44
360	44
400	51

PAVEMENT DEPTH
D =



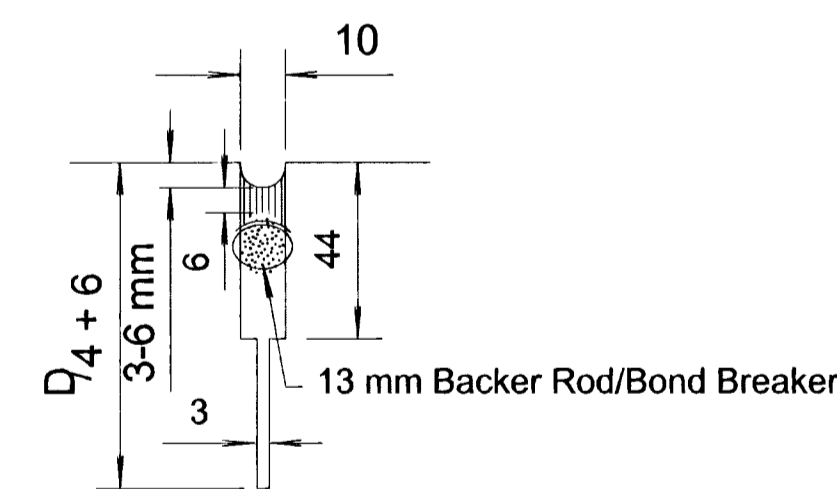
LONGITUDINAL JOINTS

Note: All sealant is 3 mm to 6mm below surface and is a minimum of 6 mm thick. A backer rod may be used to limit the amount of sealant needed to fill the reservoir.



TRANSVERSE JOINTS

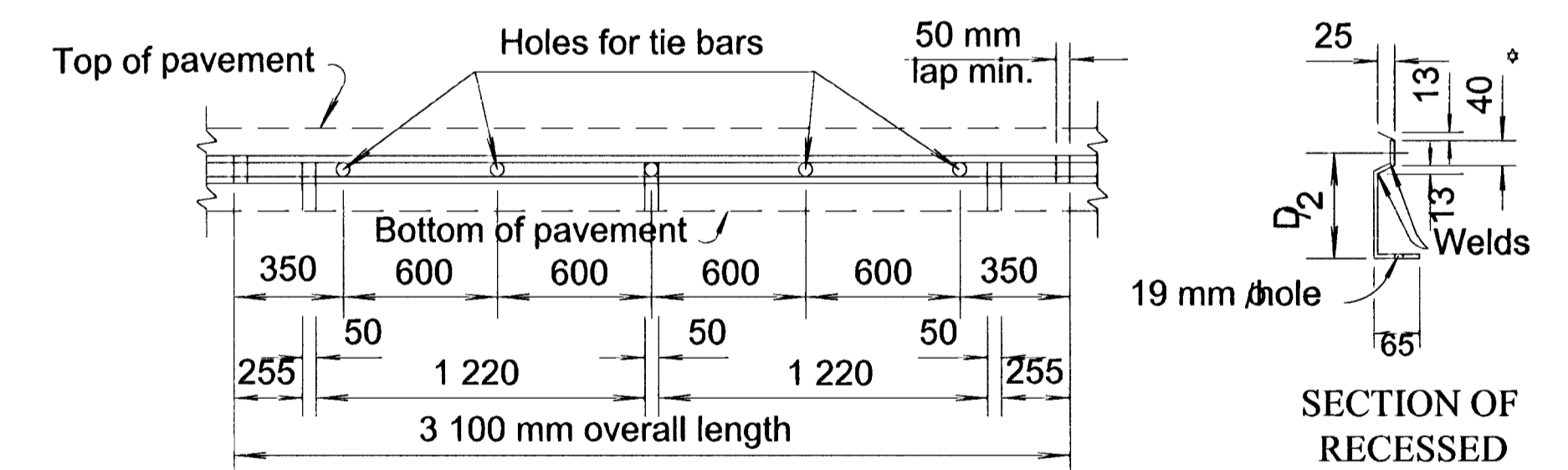
Note: Contraction joints will be constructed at the planned location or as directed by the Engineer. When necessary to interrupt continuous placement for a substantial length of time or at the end of a day's pour, the Contractor has the option of ending placement at a contraction joint or with a construction joint located a minimum of 1.5 m from a contraction joint. Either joint type may be constructed by placing a header at the end of the pour or by paving past the joint location, sawing the joint after the concrete has hardened, and drilling holes for the tie bars or dowels.



**DETAIL OF CONTRACTION JOINT
SAWCUT**

The 3 mm saw cut (D/4 + 6 mm depth) shall be done initially; the 10 mm saw cut shall be accomplished in a separate operation after concrete has gained sufficient strength to avoid spalling as determined by the Engineer.

At longitudinal construction joints where the adjacent slabs are at different elevations the depth of saw cut for the sealant reservoir should be measured from the top of the lower slab. This is to ensure that sufficient sealant is used in the joint.



**METAL STRIP FOR
LONGITUDINAL CONSTRUCTION JOINT**

To be used only against forms. Shall not extend through contraction joints. Snap-in leg or other approved designs may be used in lieu of welded leg.

3	11-19-97	Revised Curb and Gutter reference	R.J.S.	J.O.B.
2	1-29-97	Revised Contraction Joint	R.J.S.	J.O.B.
1	11-27-96	Revised Dowel size table	R.J.S.	J.O.B.
NO.	DATE	REVISIONS	BY	APPD

**KANSAS DEPARTMENT OF TRANSPORTATION
CONCRETE PAVEMENT
DOWEL JOINTED
NON-REINFORCED**

RD651 SI				
FHWA APPROVAL	11-25-97	APPD. James O. Brewer		
DESIGNED	DETAILED	QUANTITIES	TRACED	Bowser
DESIGN CK.	DETAIL CK.	QUAN. CK.	TRACE CK.	Seitz