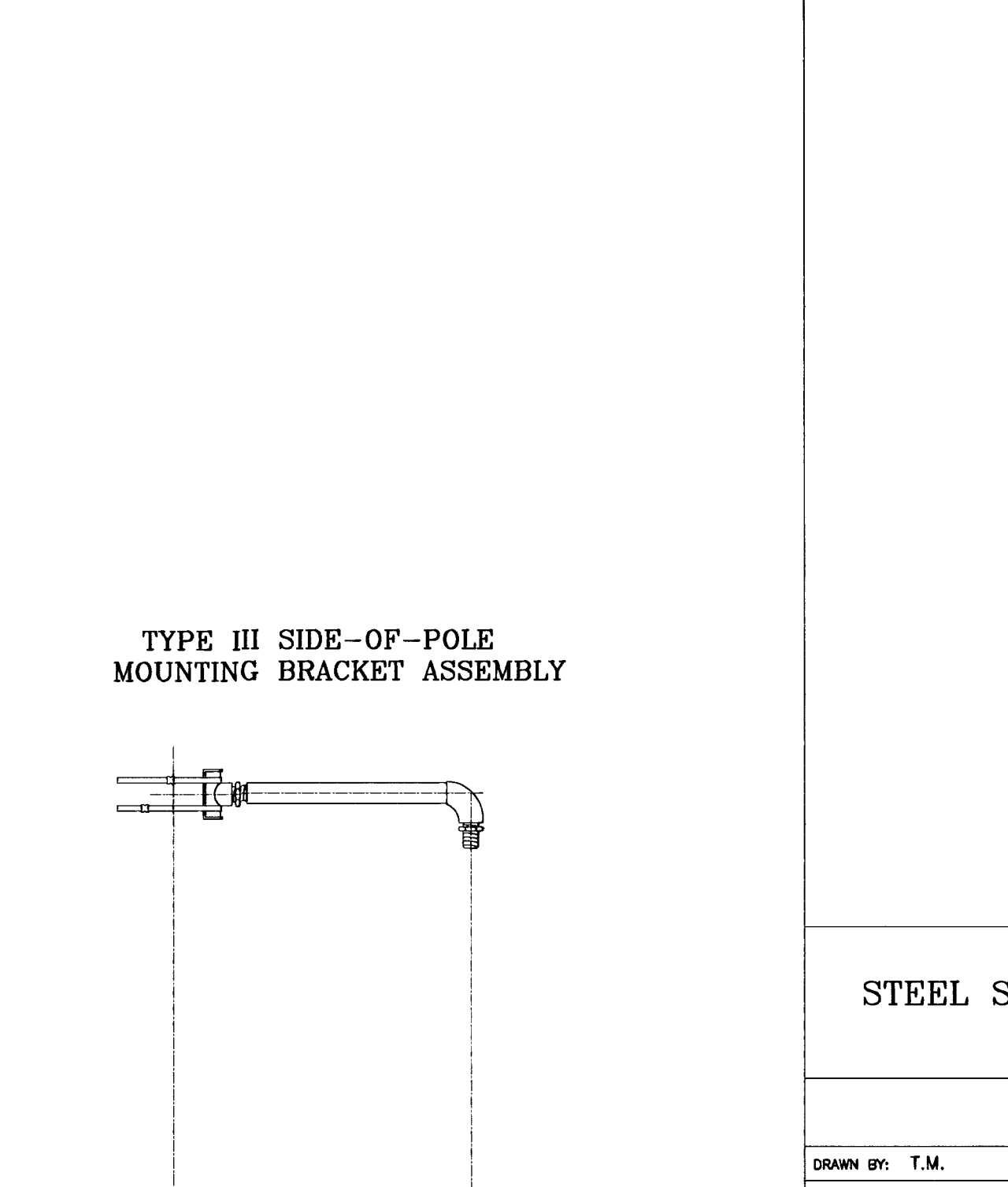
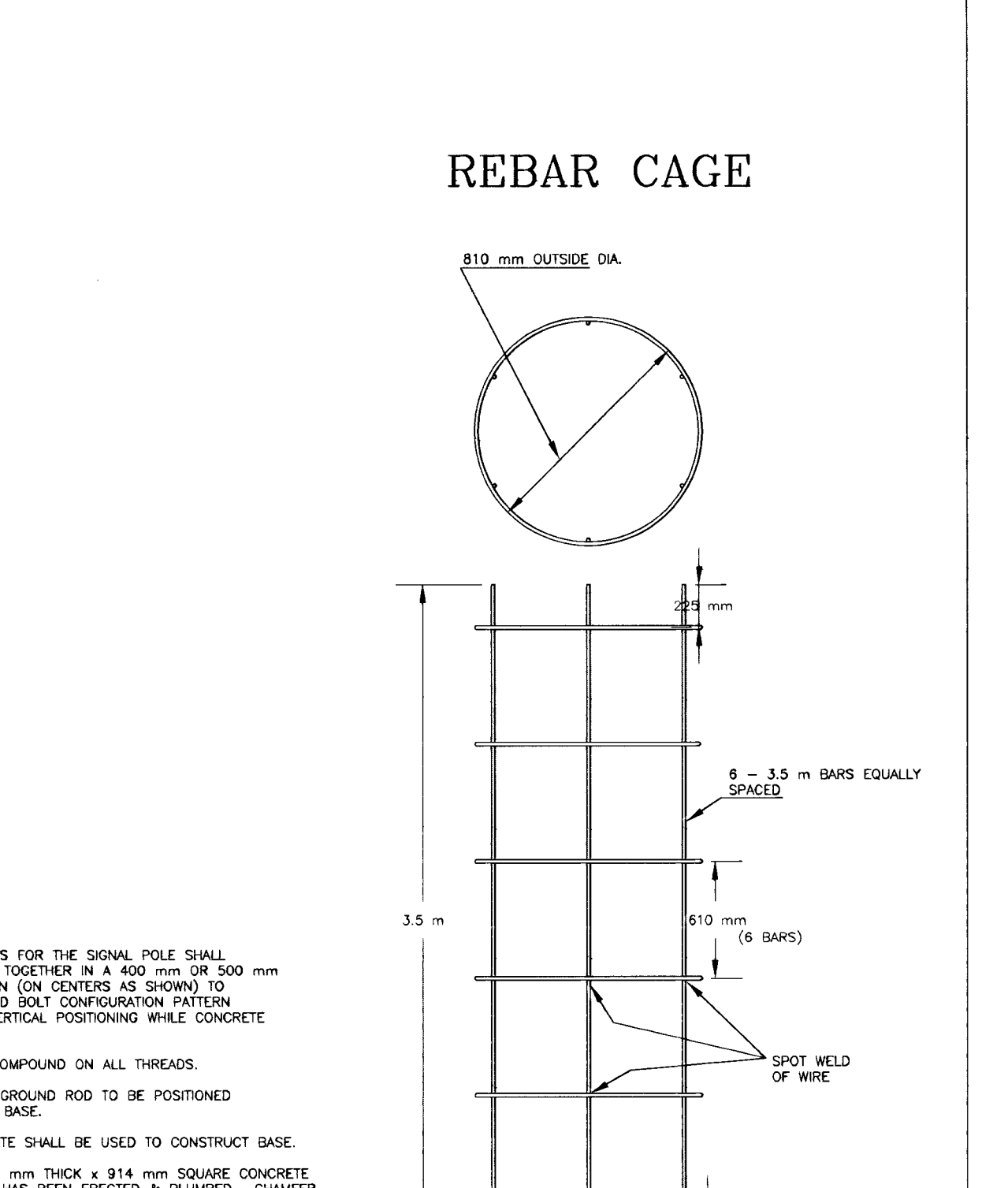
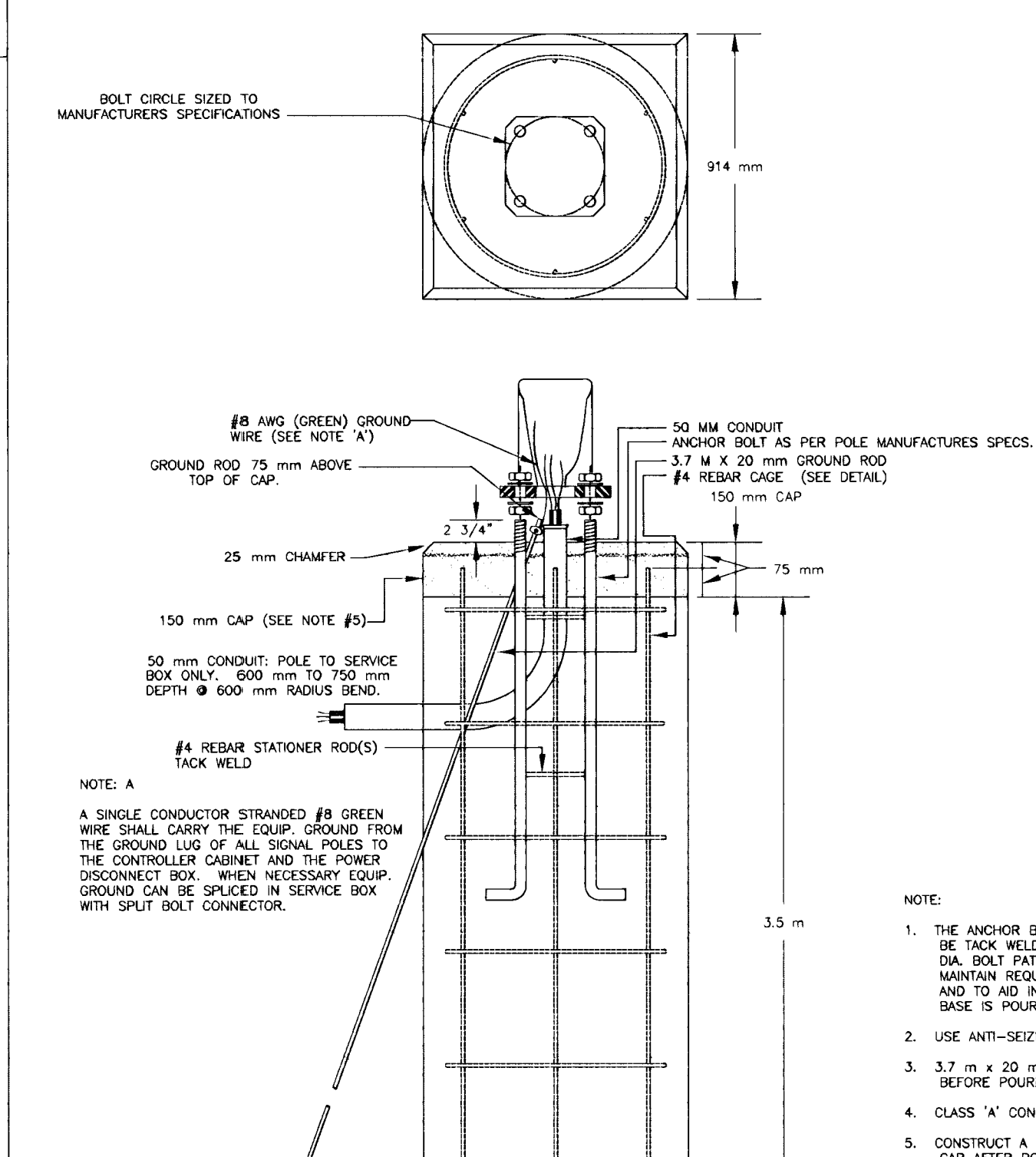
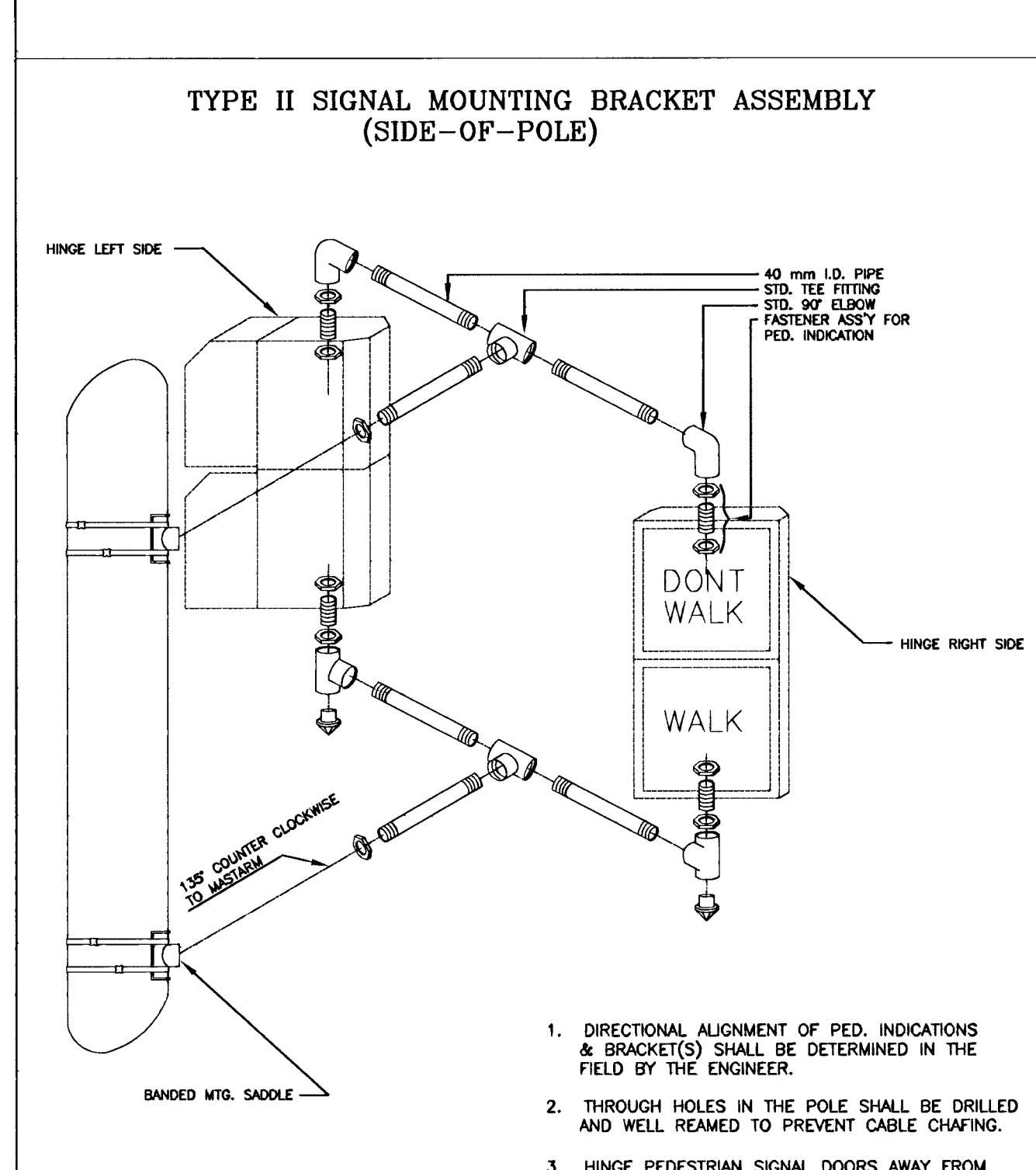
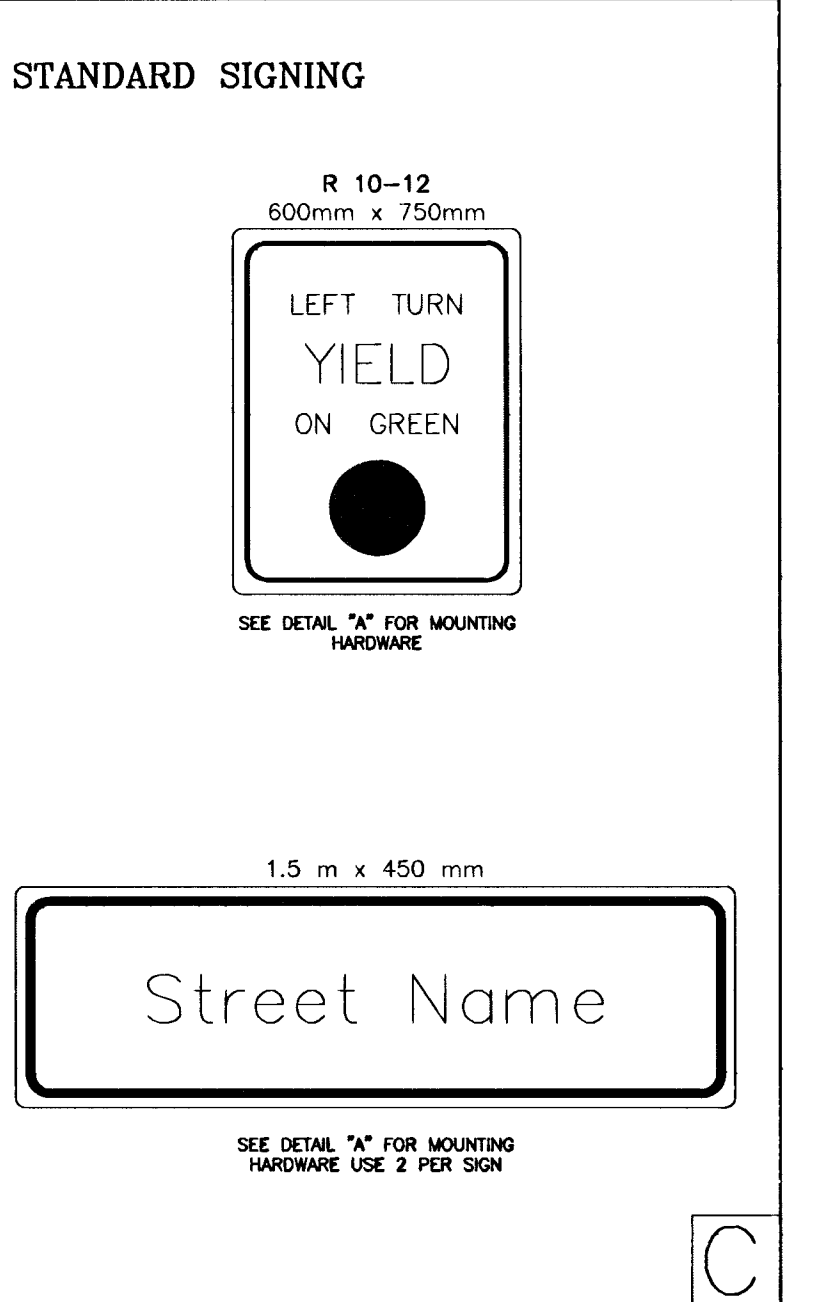
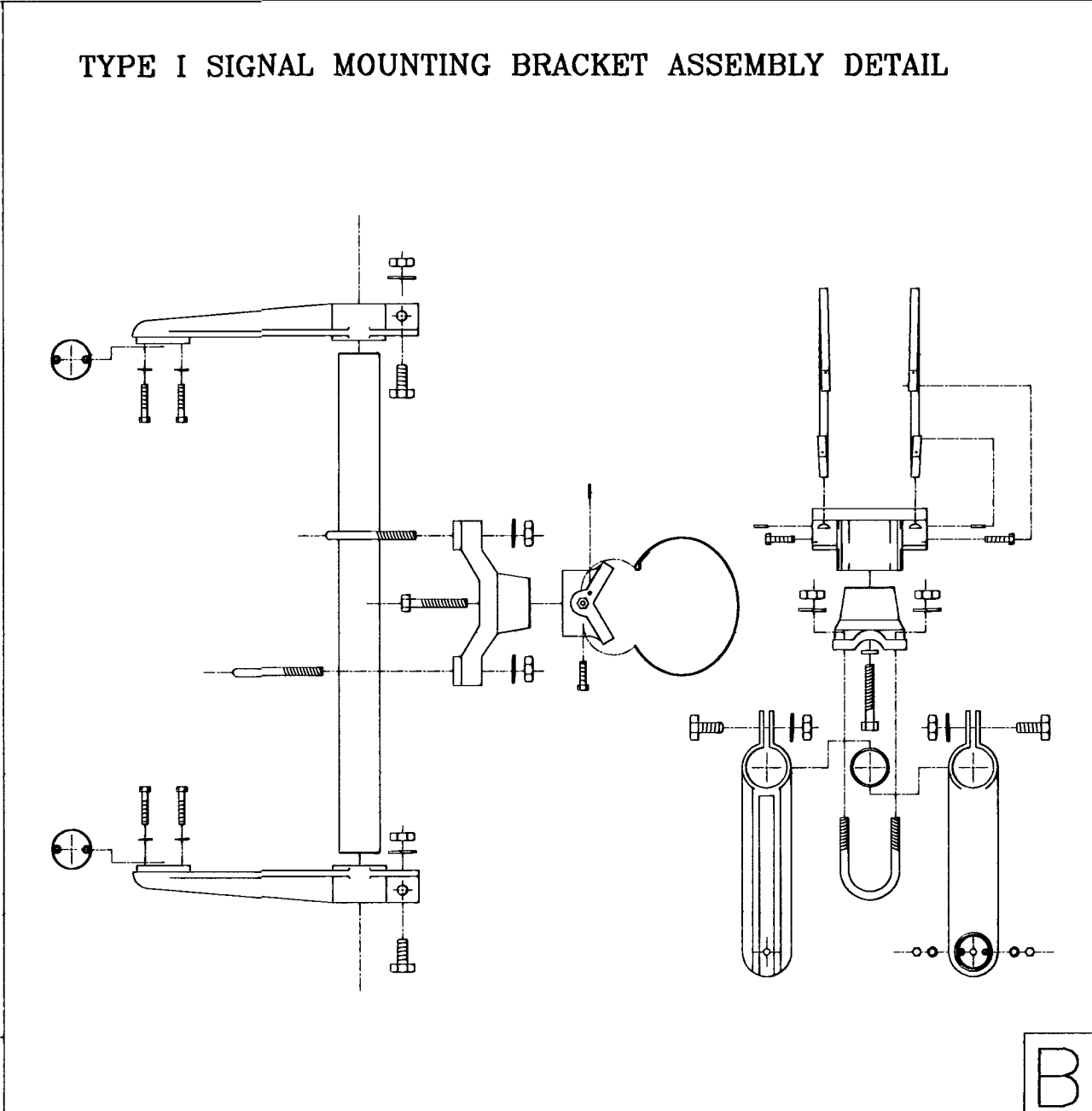
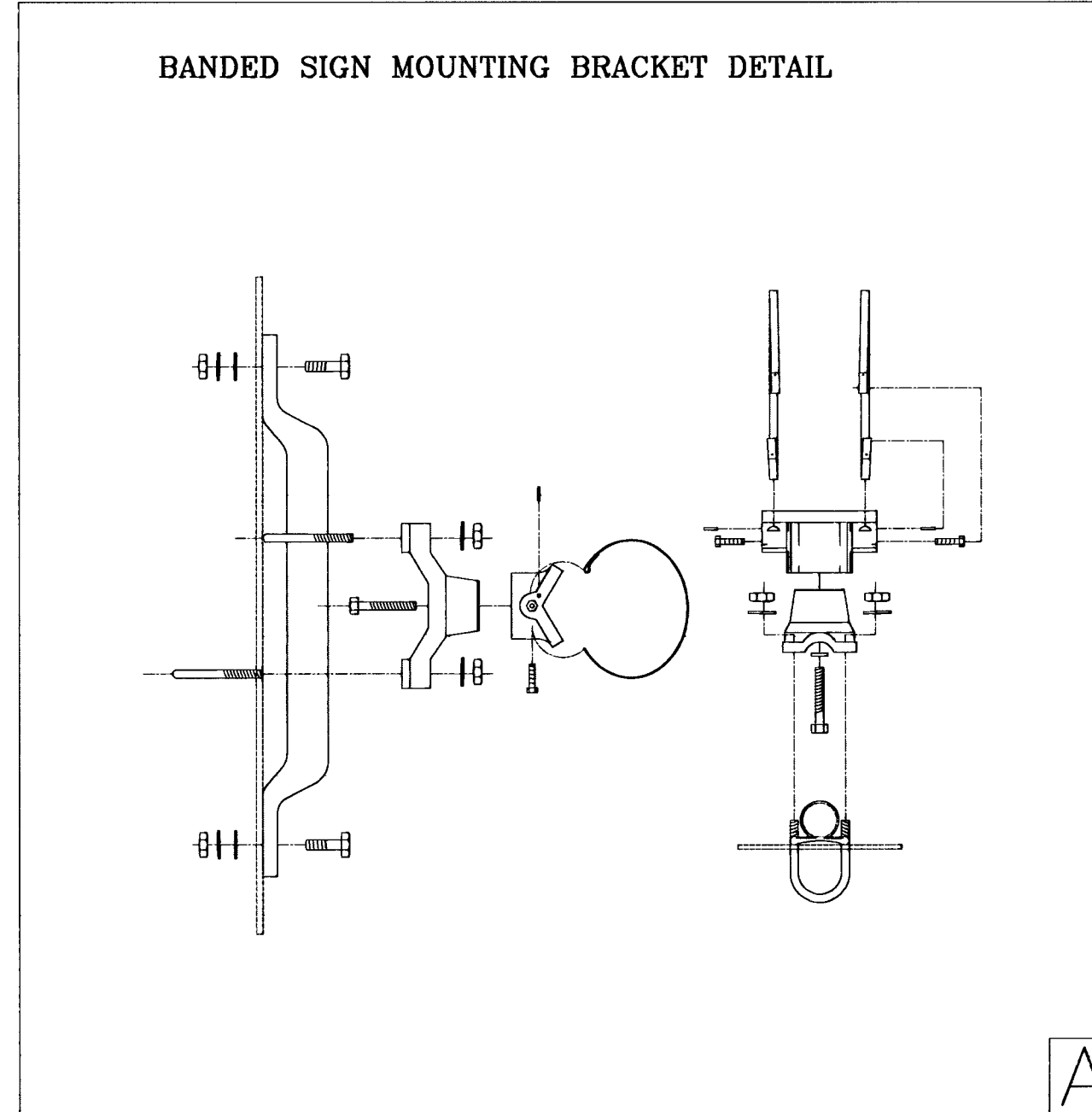
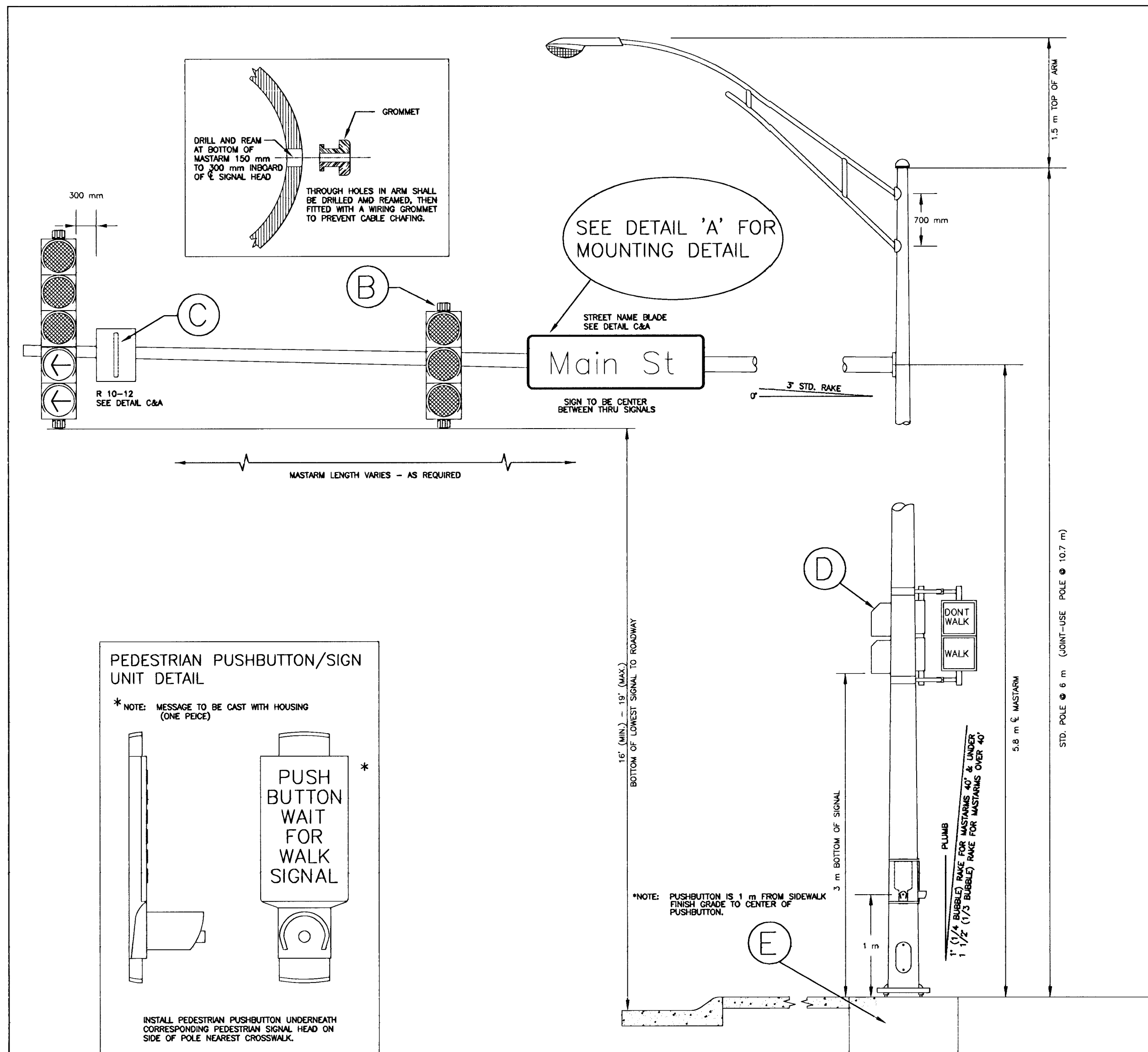


FHWA REG. NO.	STATE	PROJECT NO.	YEAR	SHEET NUMBER	TOTAL SHEETS
7	KANSAS	87 N-0194-01	2001	25	43



PROJECT DESCRIPTION	
STEEL SIGNAL POLE ASSEMBLY DETAILS	
PROJECT NUMBER	
87 N-0194-01	
SCALE	NO SCALE
NO SCALE	NO SCALE
DATE	REVISION
DATE: FEB. 98	REVISION: T.M. DATE: MAY. 97