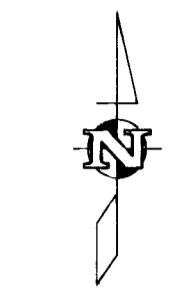
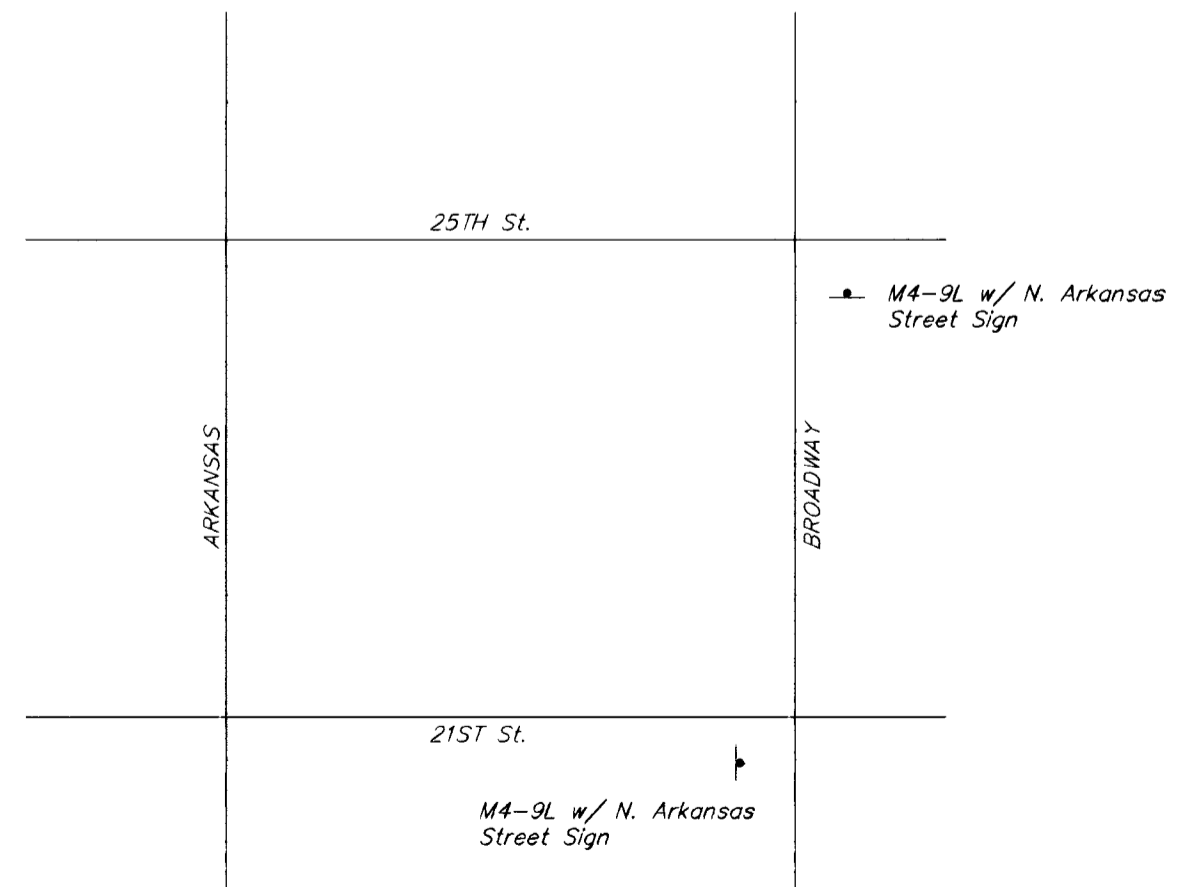
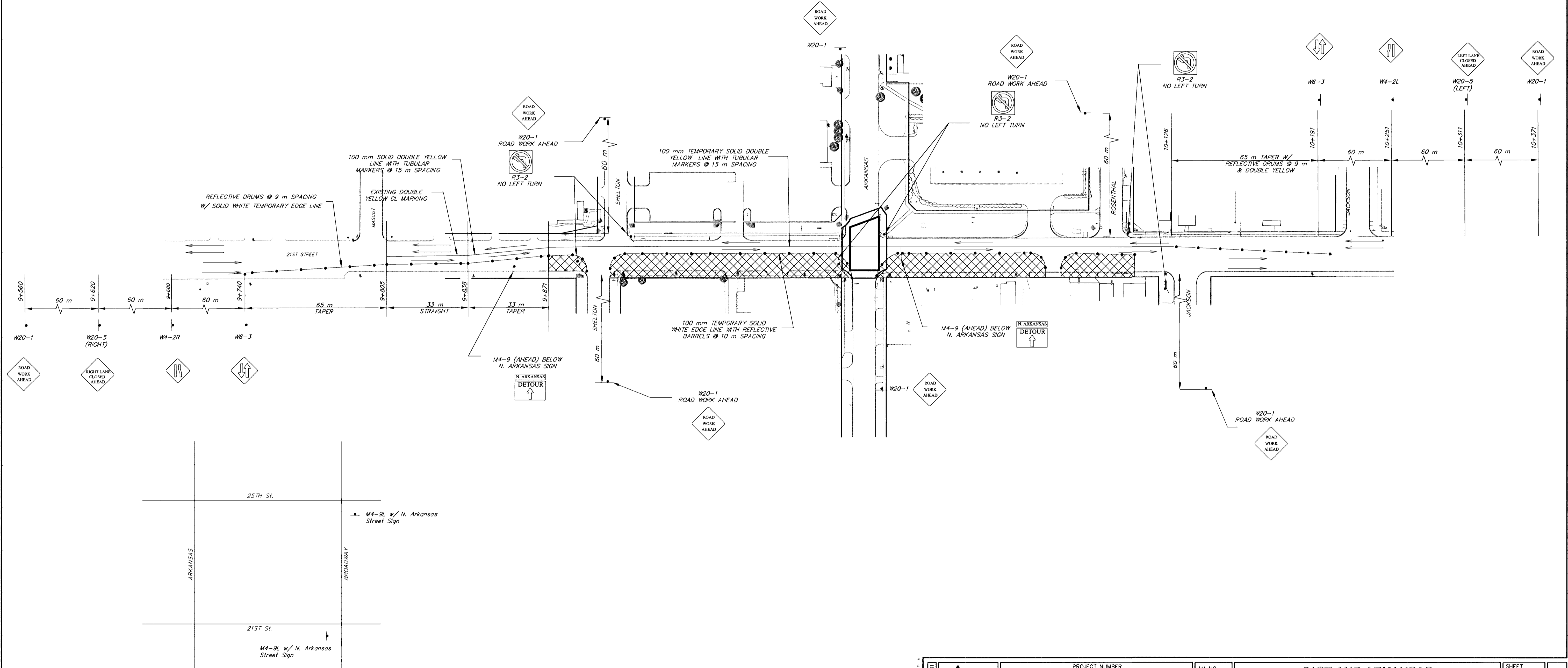


FHWA REG. NO.	STATE	PROJECT NO.	YEAR	SHEET NUMBER	TOTAL SHEETS
7	KANSAS	87 N-0194-01	2001	35	43



1:800

- NOTES:
1. TRAFFIC CONTROL TO BE IN PHASES AS SHOWN
 2. ARTERIAL ACCESS TO BE MAINTAINED AT ALL TIMES.



	PROJECT NUMBER 472-82783		AM. NO. 99147	21ST AND ARKANSAS TRAFFIC CONTROL PLAN PHASE 2 CITY OF WICHITA	SHEET
	DESIGN RR	DRAWN RR	FILE Traffic-800		DATE
				REVISED 6/11/01	