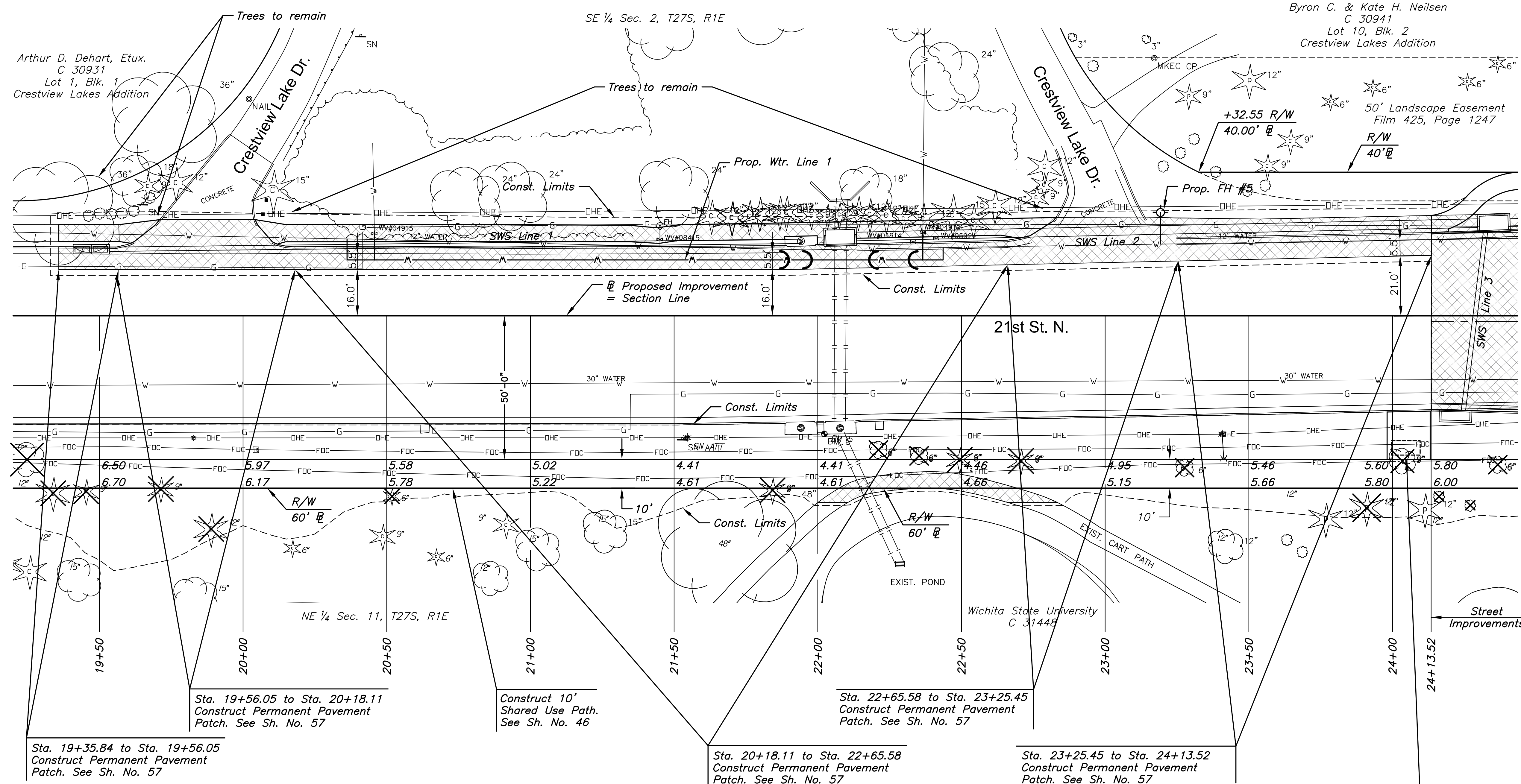


J:\PROJECTS\2016\1910104078_COW_21ST & OLIVER_CAD\SHS\05_CW\PAV15178R02.DWG
 PLOTTED: Thursday, September 22, 2016 @ 03:40PM



Sta. 19+35.84 to Sta. 19+56.05
Construct Permanent Pavement Patch. See Sh. No. 57

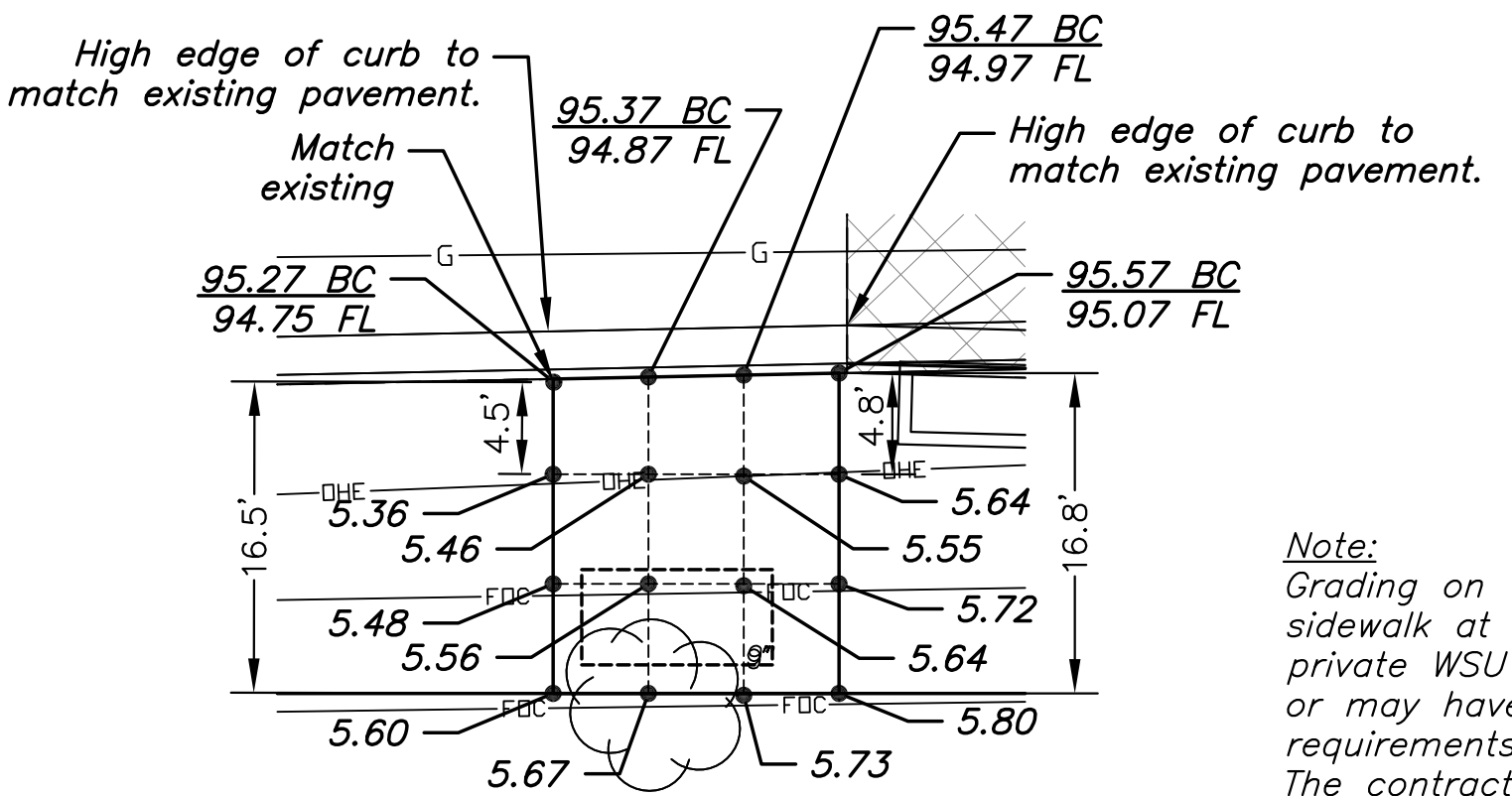
Sta. 19+56.05 to Sta. 20+18.11
Construct Permanent Pavement Patch. See Sh. No. 57

Construct 10' Shared Use Path. See Sh. No. 46

Sta. 20+18.11 to Sta. 22+65.58
Construct Permanent Pavement Patch. See Sh. No. 57

Sta. 22+65.58 to Sta. 23+25.45
Construct Permanent Pavement Patch. See Sh. No. 57

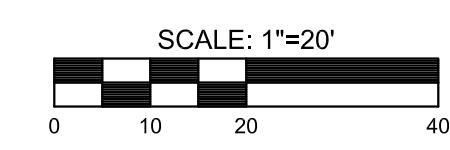
Sta. 23+25.45 to Sta. 24+13.52
Construct Permanent Pavement Patch. See Sh. No. 57



BUS PAD GRADING PLAN

Construct 5'x10' Bus Shelter Pad. Remove shelter from current location and store in a safe place until ready to install. Reinstall shelter on pad. See detail below and Sh. No. 47. Construct 15 l.f. of "Concrete C&G. Removed and Replaced."

Note:
Grading on the WSU property will be necessary to construct the shared use sidewalk at the elevations shown. Construction associated with various private WSU projects may be in progress at the same time as this project or may have occurred prior to this project. As a result, grading requirements on WSU property may be different than indicated on the plans. The contractor shall coordinate grading activities on the WSU property with the contractors and engineers associated with these other projects prior to performing excavation adjacent to the shared use sidewalk.



LEGEND

- Pavement Removal
- Construct Wheelchair Ramp See Sh. No. 48
- Tree Removal

STREET IMPROVEMENTS FOR
21ST & OLIVER INTERSECTION
 WICHITA, KANSAS

©2016 MKEC Engineering All Rights Reserved www.mkec.com
 These drawings and their contents, including, but not limited to, all concepts, designs, & ideas are the exclusive property of MKEC Engineering (MKEC), and may not be used or reproduced in any way without the express consent of MKEC.

PAVING PLAN - 21ST ST.

PROJECT NO.	472-85213	
DATE	SEPT. 2016	
SCALE	1"=20'	
DESIGNED	DRAWN	CHECKED
JRA	DMU	JRA
NO.	REVISION	DATE