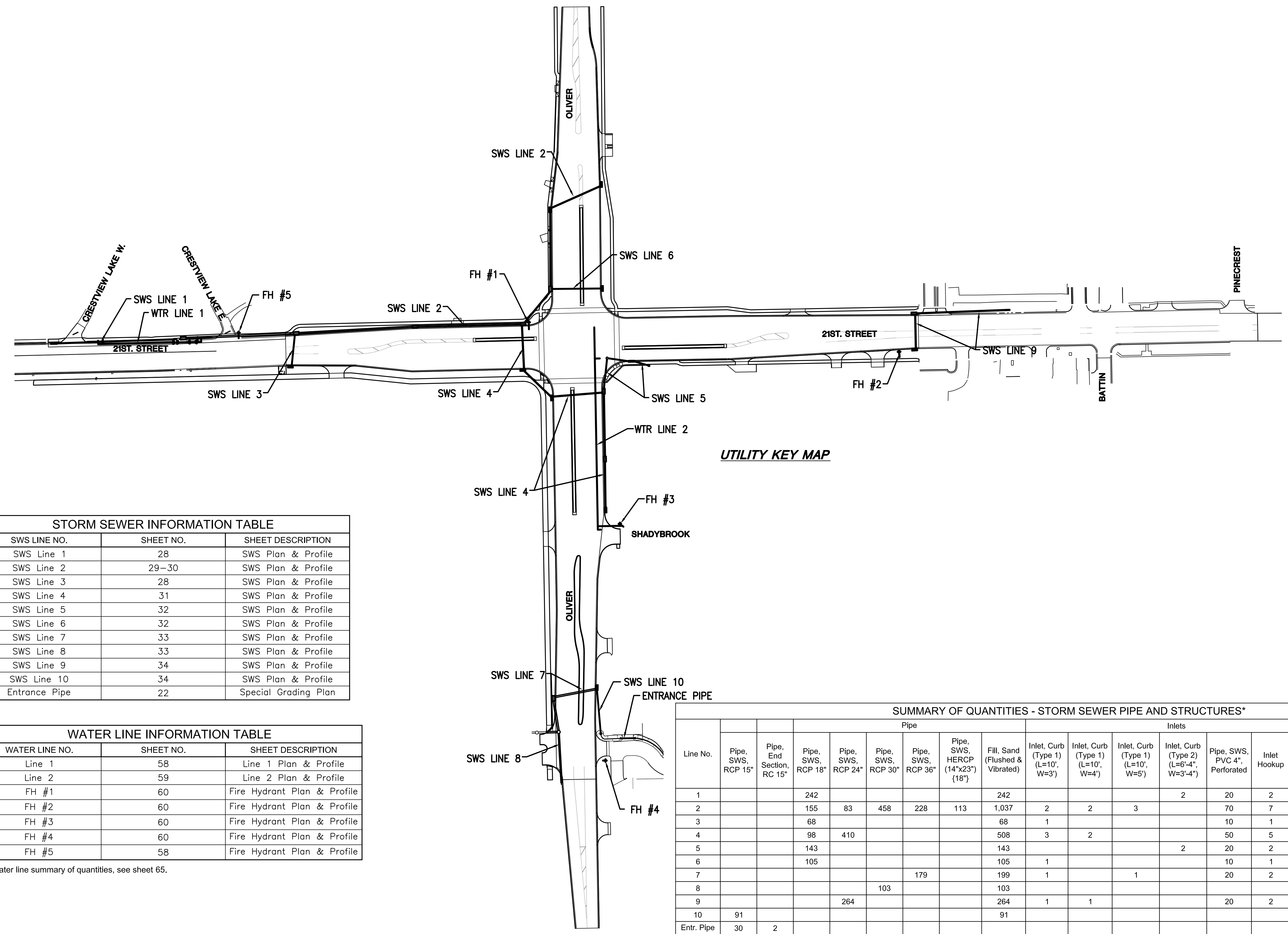
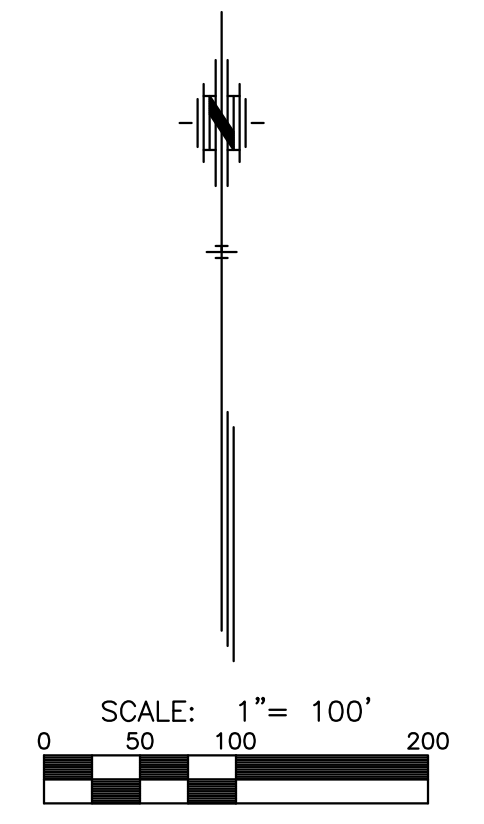


J:\PROJECTS\2016\150104078_COW_21ST & OLIVER_XXXXXX CAD\SHS\505\DWG\PAV15178KEY MAP.DWG
 PLOTTED: Tuesday, October 04, 2016 @ 04:27PM

STREET IMPROVEMENTS FOR
21ST & OLIVER INTERSECTION
 WICHITA, KANSAS



STORM SEWER INFORMATION TABLE		
SWS LINE NO.	SHEET NO.	SHEET DESCRIPTION
SWS Line 1	28	SWS Plan & Profile
SWS Line 2	29-30	SWS Plan & Profile
SWS Line 3	28	SWS Plan & Profile
SWS Line 4	31	SWS Plan & Profile
SWS Line 5	32	SWS Plan & Profile
SWS Line 6	32	SWS Plan & Profile
SWS Line 7	33	SWS Plan & Profile
SWS Line 8	33	SWS Plan & Profile
SWS Line 9	34	SWS Plan & Profile
SWS Line 10	34	SWS Plan & Profile
Entrance Pipe	22	Special Grading Plan

WATER LINE INFORMATION TABLE		
WATER LINE NO.	SHEET NO.	SHEET DESCRIPTION
Line 1	58	Line 1 Plan & Profile
Line 2	59	Line 2 Plan & Profile
FH #1	60	Fire Hydrant Plan & Profile
FH #2	60	Fire Hydrant Plan & Profile
FH #3	60	Fire Hydrant Plan & Profile
FH #4	60	Fire Hydrant Plan & Profile
FH #5	58	Fire Hydrant Plan & Profile

For water line summary of quantities, see sheet 65.

Line No.	Pipe							Inlets				Manholes		Miscellaneous					
	Pipe, SWS, RCP 15"	Pipe, End Section, RC 15"	Pipe, SWS, RCP 18"	Pipe, SWS, RCP 24"	Pipe, SWS, RCP 30"	Pipe, SWS, RCP 36"	Pipe, SWS, HERCP (14"x23") {18"}	Fill, Sand (Flushed & Vibrated)	Inlet, Curb (Type 1) (L=10', W=3')	Inlet, Curb (Type 1) (L=10', W=4')	Inlet, Curb (Type 1) (L=10', W=5')	Inlet, Curb (Type 2) (L=6'-4", W=3'-4")	Pipe, SWS, PVC 4", Perforated	Inlet Hookup	Inlet, Drop (Single)	MH, Standard SWS (6')	MH, Shallow SWS (4')	Snout+	Pipe Plug (SWS)
1			242					242			2	20	2						
2			155	83	458	228	113	1,037	2	2	3		70	7				1	
3			68					68	1				10	1					
4			98	410				508	3	2			50	5					
5			143					143				2	20	2	1		1		
6			105					105	1				10	1					
7						179		199	1		1		20	2		1		1	
8					103			103											1
9				264				264	1	1			20	2					
10	91							91							1				
Entr. Pipe	30	2																	
Totals	121	2	811	757	561	407	113	2,760	9	5	4	4	220	22	2	1	1	2	1

* All pipe conduit is measured per lineal feet and structures are measured per each. + Paid for as "Manhole Water Quality BMP"

©2016 MKEC Engineering All Rights Reserved www.mkec.com
 These drawings and their contents, including, but not limited to, all concepts, designs, & ideas are the exclusive property of MKEC Engineering (MKEC), and may not be used or reproduced in any way without the express consent of MKEC.

UTILITY KEY MAP		
PROJECT NO.	472-85213	
DATE	SEPT. 2016	
SCALE	AS SHOWN	
DESIGNED	DRAWN	CHECKED
JTC	DM	JRA
NO.	REVISION	DATE
SHEET NO.		
27 OF 125		