

E.F. INDICATES EACH FACE
 N.F. INDICATES NEAR FACE
 F.F. INDICATES FAR FACE

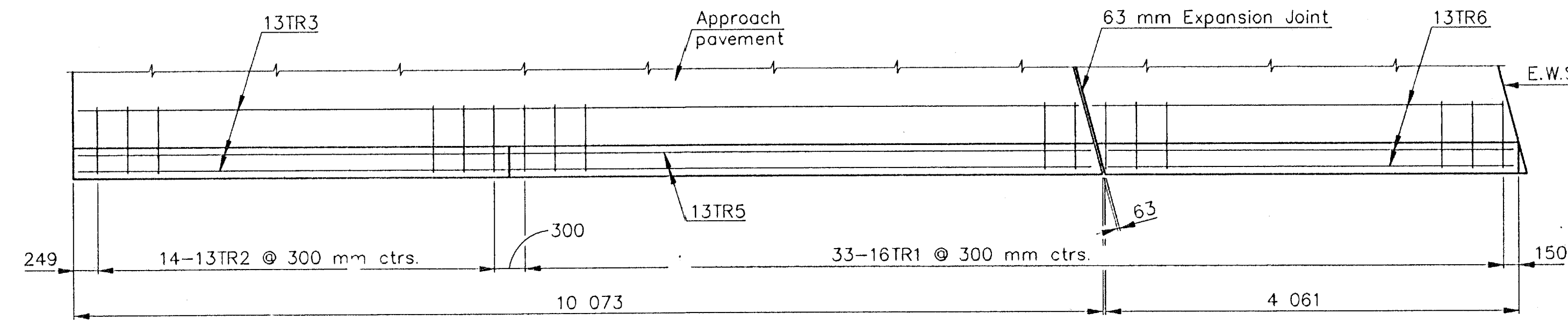
STATE	PROJECT NO.	YEAR	SHEET NO.	TOTAL SHEETS
KANSAS	87 N-0230-01	2003	8	73

GENERAL NOTES

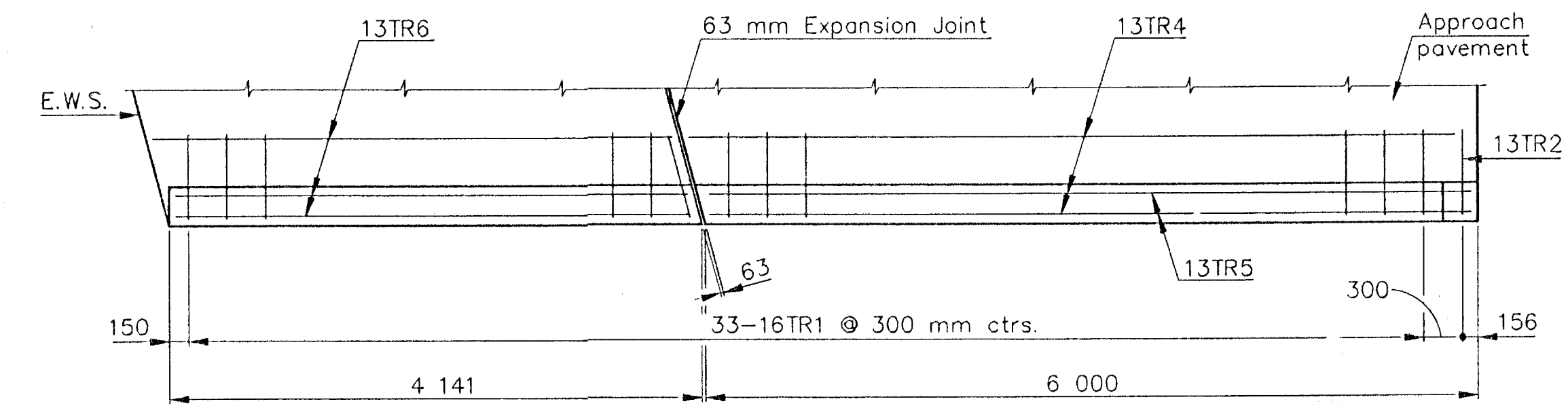
CONCRETE SAFETY BARRIER (SPECIAL) SHALL BE PAID FOR BY THE METER. AND INCLUDES ALL WORK AND MATERIALS REQUIRED TO CONSTRUCT THE BARRIER TRANSITIONS AS SHOWN ON THIS SHEET.

ALL CONCRETE USED IN THE SAFETY BARRIERS SHALL BE GRADE 30 (AE). BEVEL ALL EXPOSED EDGES WITH A 20 mm TRIANGULAR MOULDING.

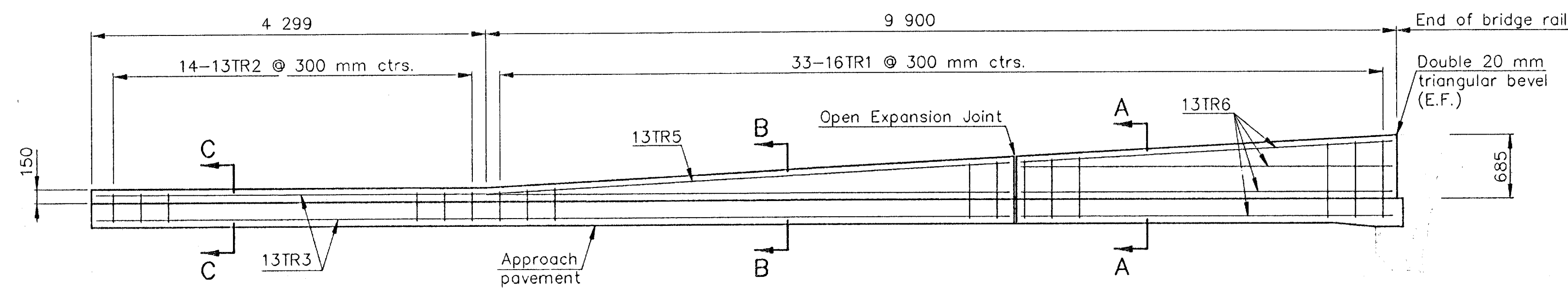
ALL REINFORCING SHALL BE EPOXY COATED.



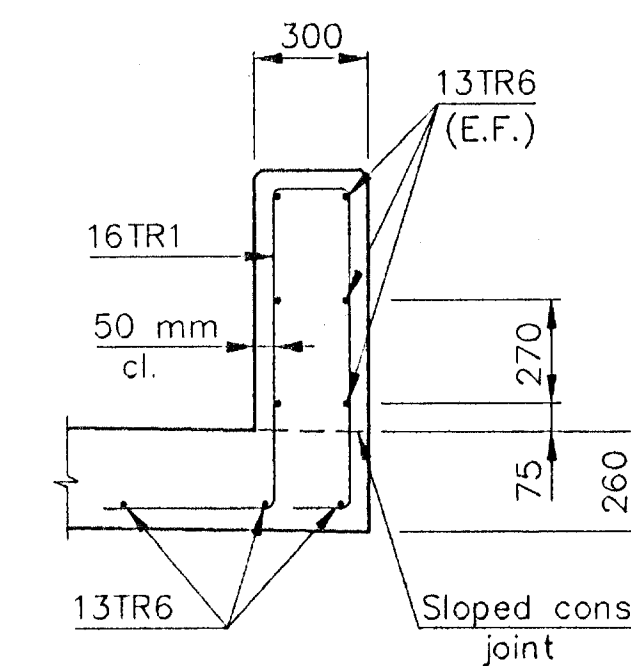
PLAN OF S.W. QUADRANT
 (N.E. quadrant similar)



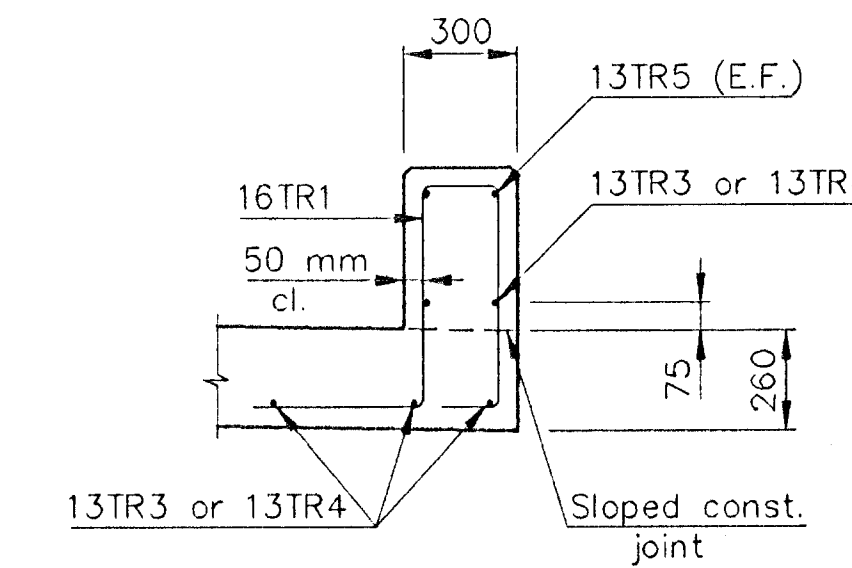
PLAN OF S.E. QUADRANT
 (N.W. quadrant similar)



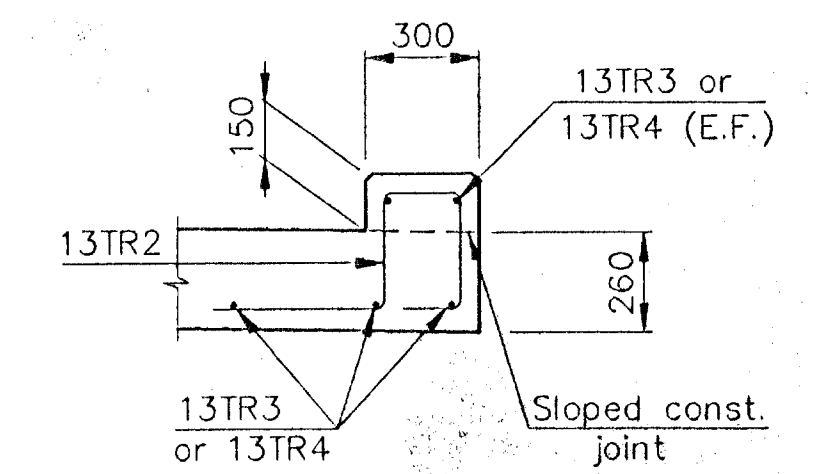
ELEVATION OF S.W. QUADRANT
 (N.E. quadrant similar)



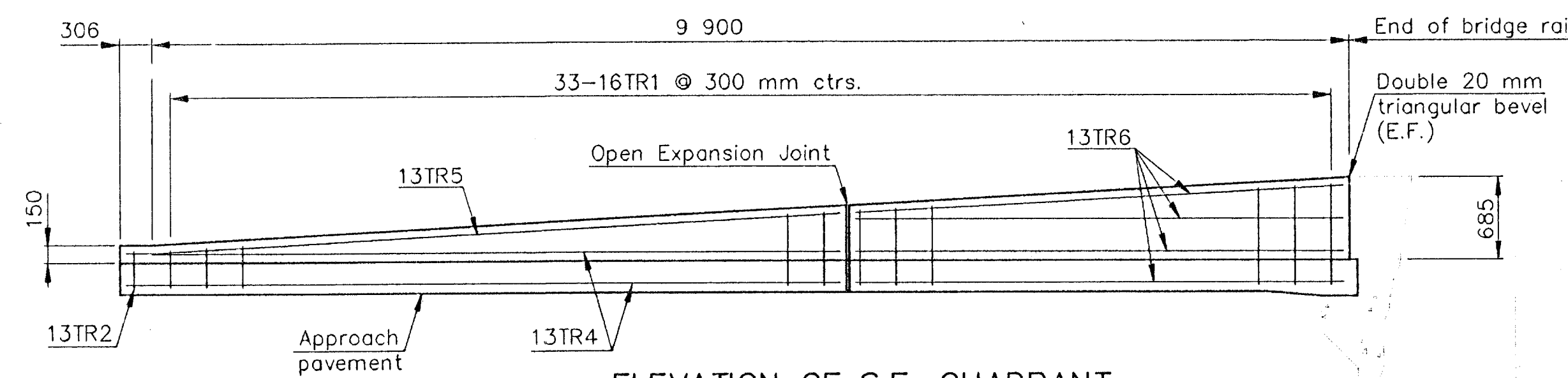
SECTION A-A



SECTION B-B



SECTION C-C

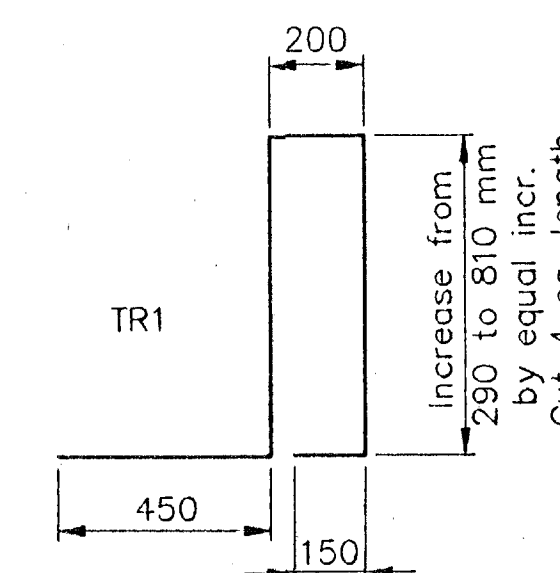
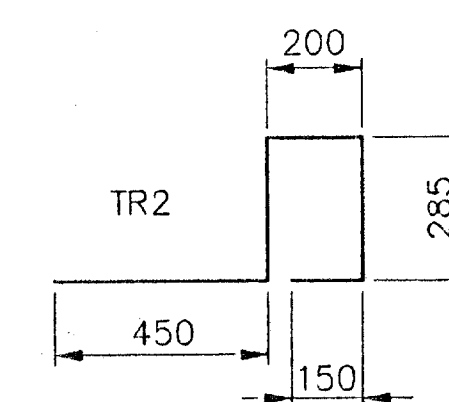


ELEVATION OF S.E. QUADRANT
 (N.W. quadrant similar)

BILL OF REINFORCING STEEL							
STRAIGHT BARS				BENT BARS			
MARK	SIZE	NO.	LENGTH	MARK	SIZE	NO.	LENGTH
TR3	13	10	9 900	TR1	16	132	Varies
TR4	13	10	5 910				
TR5	13	8	5 690	TR2	13	30	1 370
TR6	13	36	3 980				

BENDING DIAGRAMS

All dimensions are out to out of bars.



BILL OF MATERIALS	
Concrete Safety Barrier (Special)	24.4 m
West Approach	24.4 m
East Approach	770 kg
Reinforcing Steel	5.4 cu m
Concrete Grade 30 (AE)	

Note: Reinforcing steel and concrete shown for information only.

PROJECT NO. 87 N-0230-01			
TRANSITION BARRIER			
13TH STREET NORTH OVER COWSKIN CREEK		DESIGNED	SCALE
STA. 1+883	CITY OF WICHITA	DETAILED	DATE
		QUANTITIES	SHEET OF