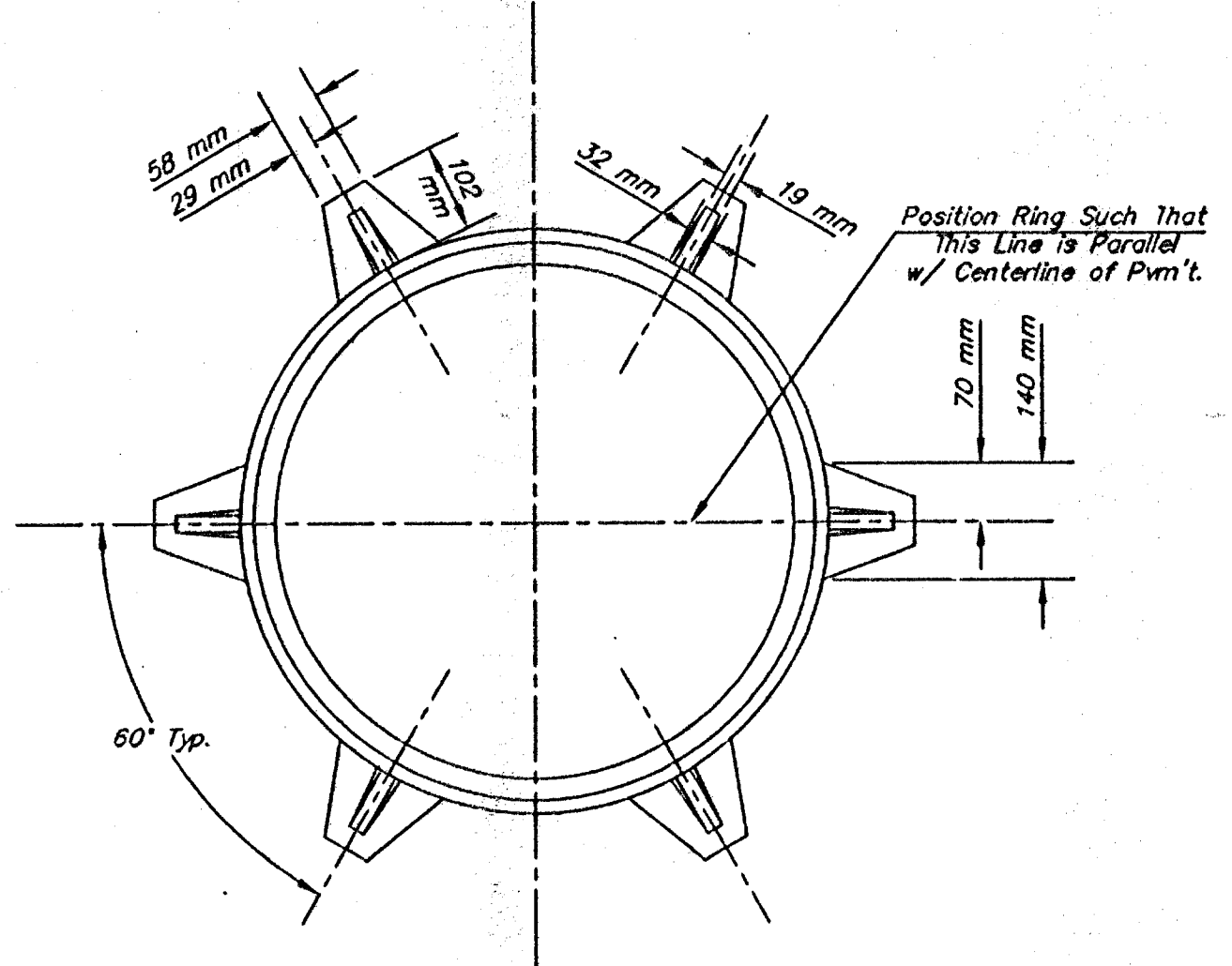


PLAN

*Left Side Shown Without Slab Reinforcing, Right Side Shown With Slab Reinforcing



MANHOLE RING AND COVER

*See City of Wichita Standard Manhole Ring and Cover Detail Sheet for Cover Details to Be Used With Inlet Frame.

PRECAST SLAB AND FLOOR REINFORCING

MARK	SIZE	NO.	LENGTH	W = 1.319 m	W = 1.624 m	W = 1.929 m	W = 2.234 m	W = 2.538 m			
a1	#13	13	2.004 m	13	2.613 m	13	3.223 m	13	3.833 m	13	4.442 m
a2	#13	4	1.829 m	4	2.438 m	4	3.048 m	4	3.658 m	4	4.267 m
a3	#13	23	1.244 m	23	1.549 m	23	1.854 m	23	2.159 m	23	2.463 m
b1	#13	1	2.968 m	1	2.968 m	1	2.968 m	1	2.968 m	1	2.968 m
b2	#13	23	3.378 m	29	3.378 m	35	3.378 m	41	3.378 m	47	3.378 m
x1	#13	16	1.164 m	16	1.270 m	16	1.389 m	16	1.469 m	16	1.574 m

WALL REINFORCING

MARK	SIZE	NO.	LENGTH	W = 1.319 m	W = 1.624 m	W = 1.929 m	W = 2.234 m	W = 2.538 m	
w1	#13	①	3.378 m	①	3.378 m	①	3.378 m	①	3.378 m
w2	#13	①	1.244 m	①	1.549 m	①	1.854 m	①	2.159 m
w3	#13	52	②	56	②	60	②	64	②

STANDARD CURB INLET PRECAST TOPS

W	PRE-CAST TOP SIZE	PIPE SIZE	CU. M CONC.
1.319 m	1.119 m x 3.444 m x 190 mm	525 mm & SMALLER	0.63±
1.624 m	1.424 m x 3.444 m x 190 mm	600 mm & 750 mm	0.83±
1.929 m	1.729 m x 3.444 m x 190 mm	900 mm & 1050 mm	1.03±
2.234 m	2.034 m x 3.444 m x 190 mm	1,200 mm & 1,350 mm	1.23±
2.538 m	2.338 m x 3.444 m x 190 mm	1,500 mm & 1,650 mm	1.43±

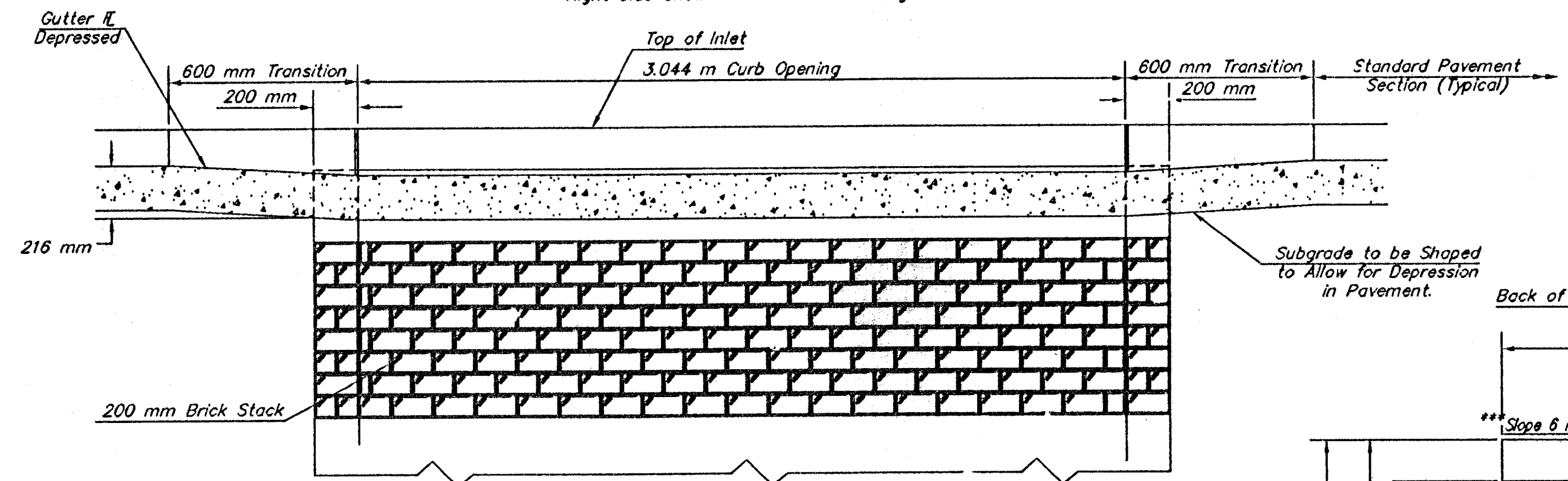
BENDING DIAGRAM

GENERAL NOTES:

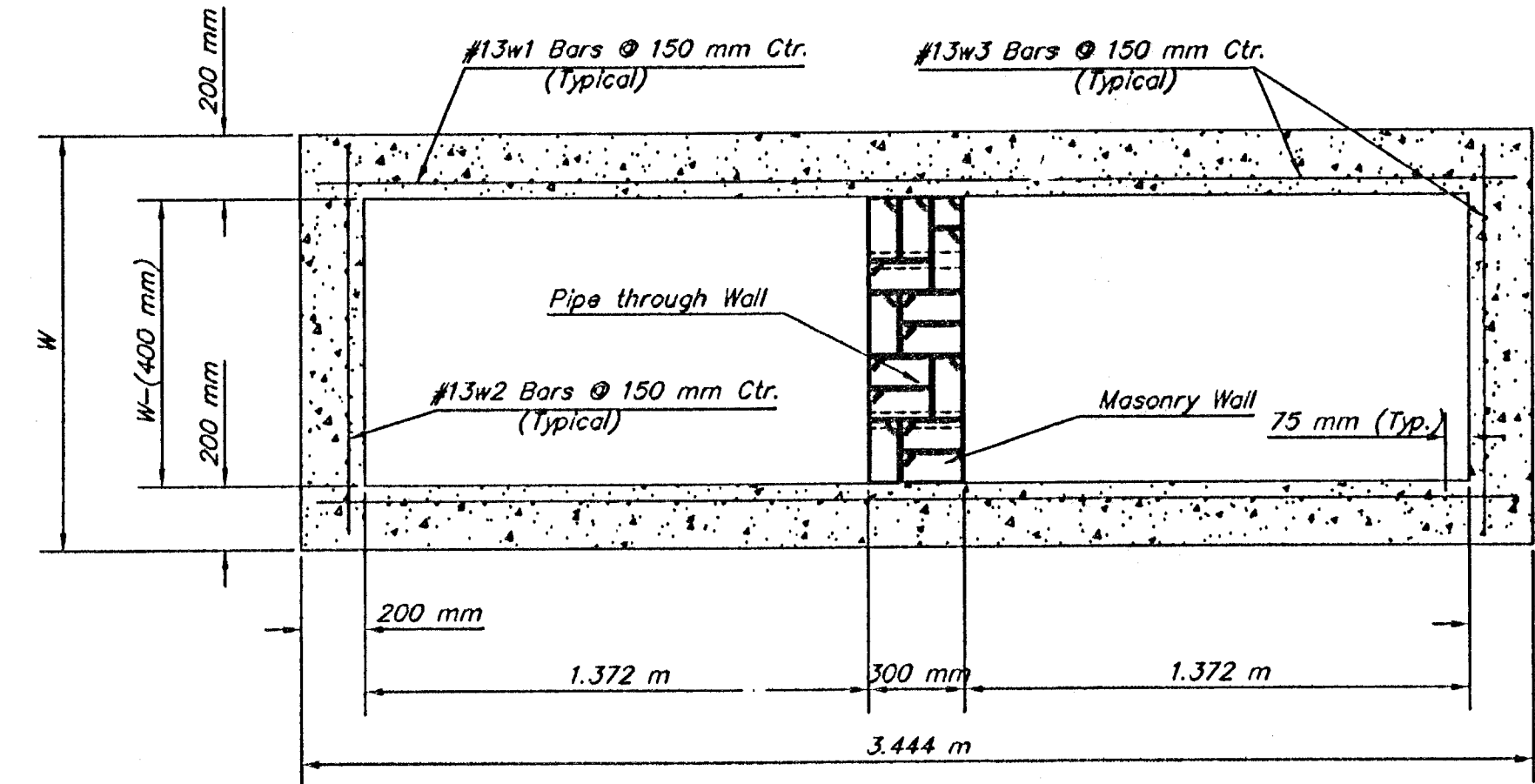
Concrete shall be C.O.W. standard paving mix. All exposed edges shall be finished with an edging tool. Reinforcing bars shall be field bent or cut to clear pipes and inlet rings. All bars are #13 bars @ 150 mm spacing and shall have a minimum clearance of 38 mm unless otherwise noted. Floors of inlet shall be shaped with 8 sack sand mix concrete to increase hydraulic efficiency such that the inlet will be self cleaning between all inlet and/or outlet pipe(s). The contractor will be required to construct 200 mm brick masonry walls between the inlet base and top on this inlet when H=2.14 m or less, and W=1.93 m or less. When W is greater than 1.93 m and H is less than 2.14 m, the outside inlet walls below the brick stack shall be reinforced concrete construction.

Concrete tops to be installed on thin mortar cushion to insure full support along brick walls. Concrete tops may be cast in place or precast.

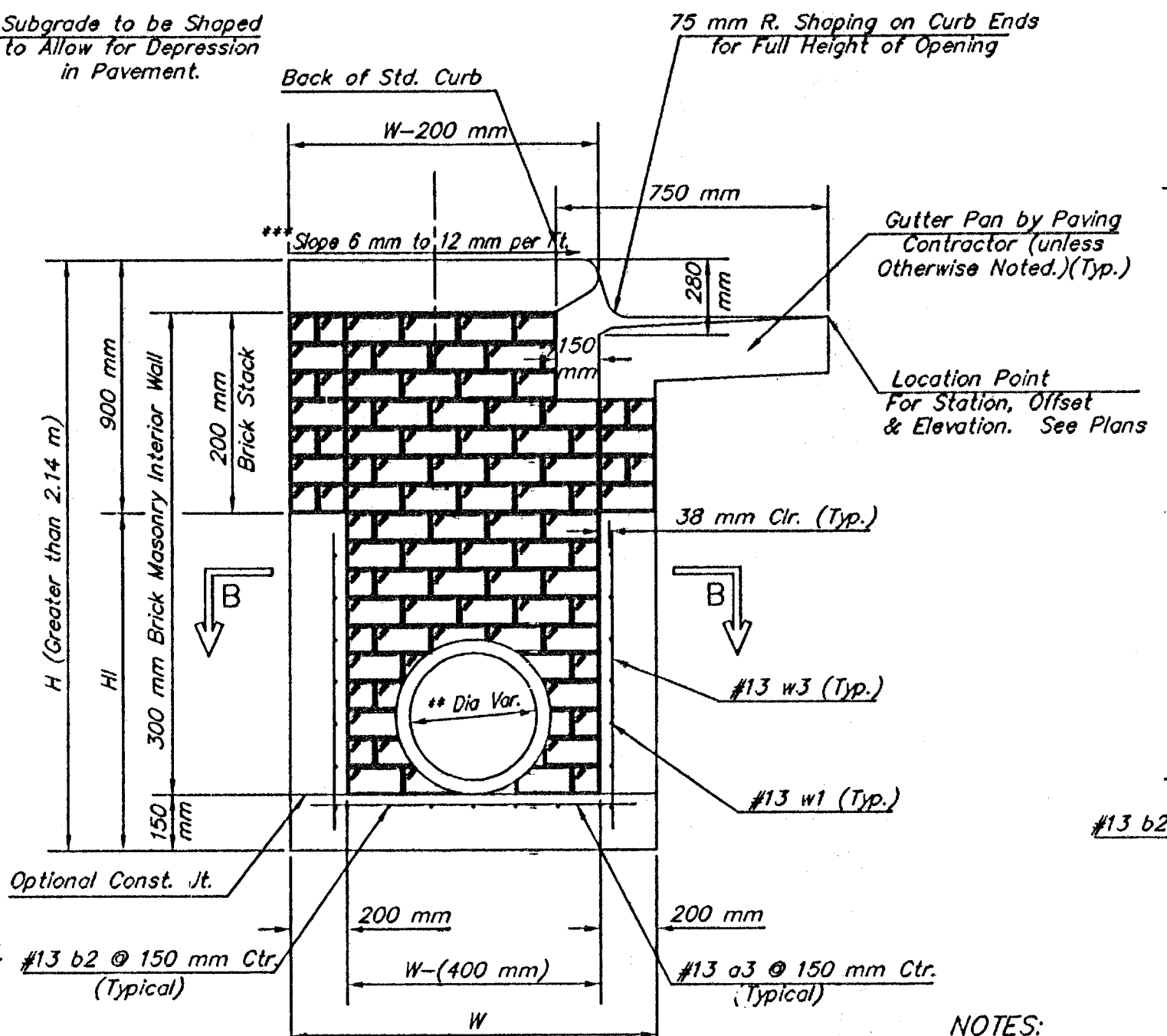
The ends of all pipes installed in inlets shall be cut off flush with the inside face of the inlet wall.



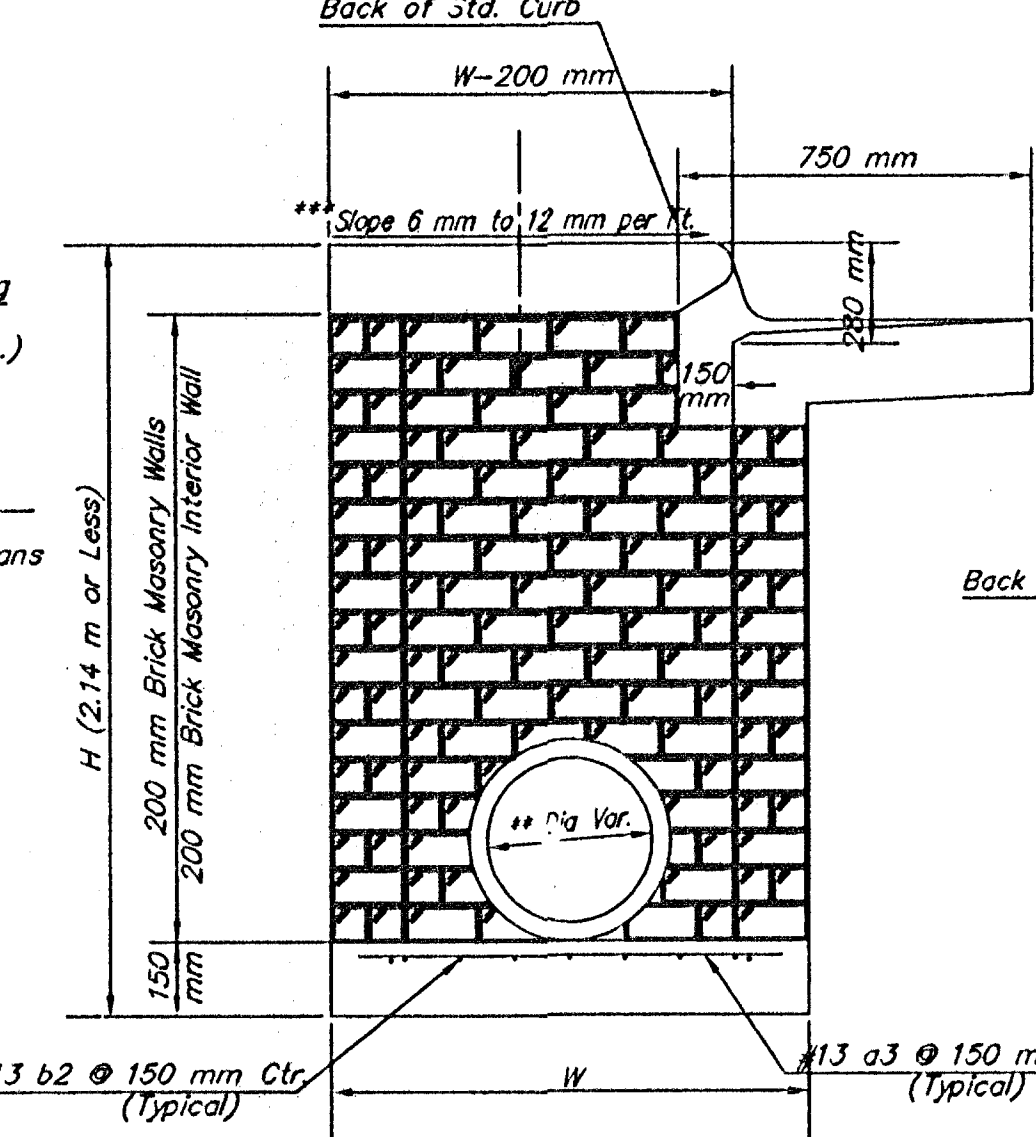
ELEVATION



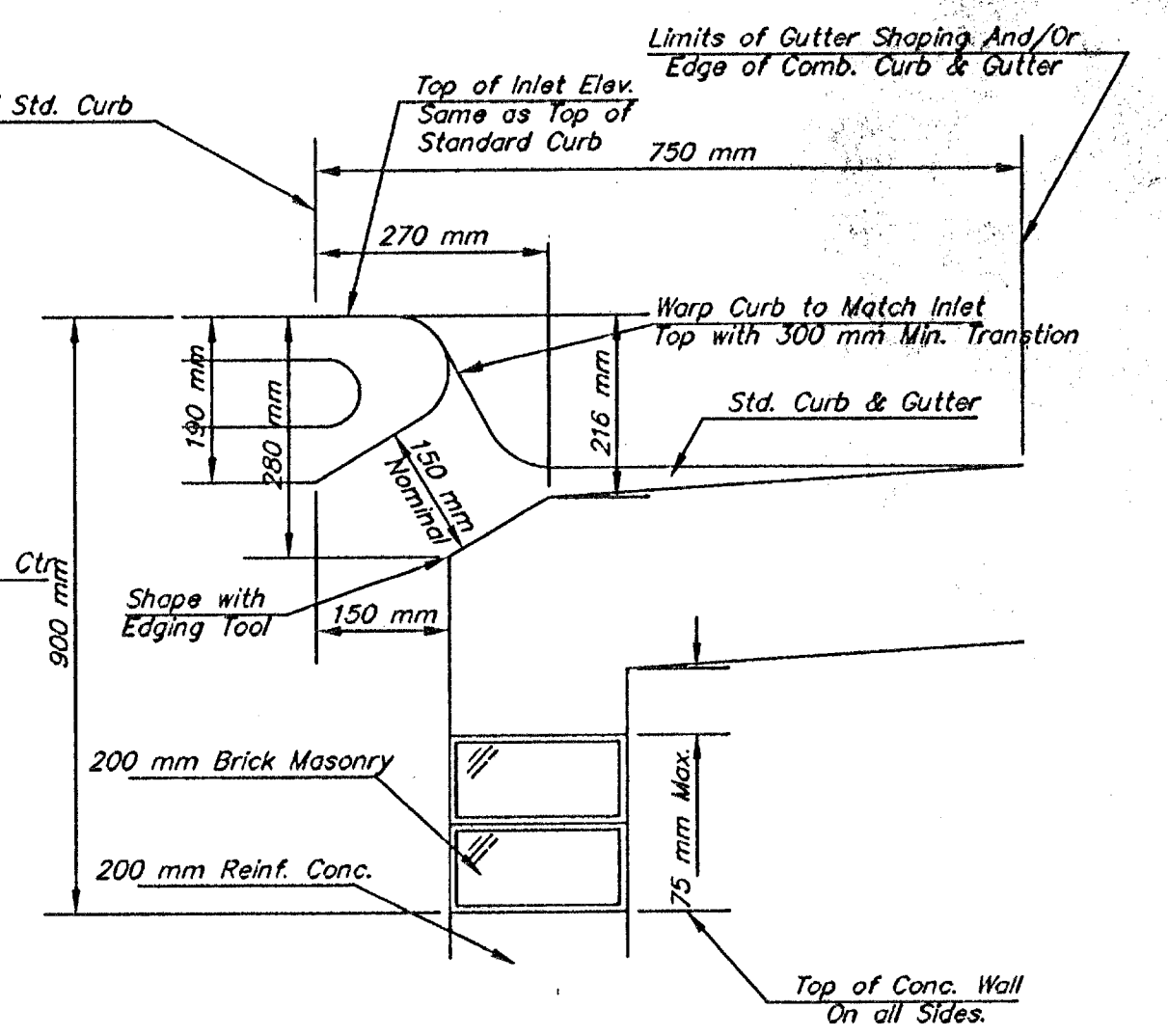
SECTION B-B



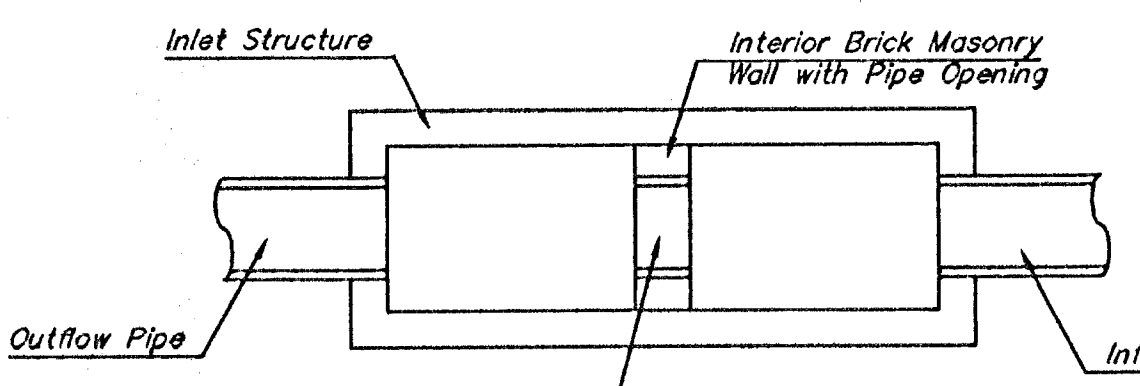
TYPICAL INLET SECTION AT CENTER WALL (REINFORCED CONCRETE WALLS)



TYPICAL INLET SECTION AT CENTER WALL (MASONRY WALLS)

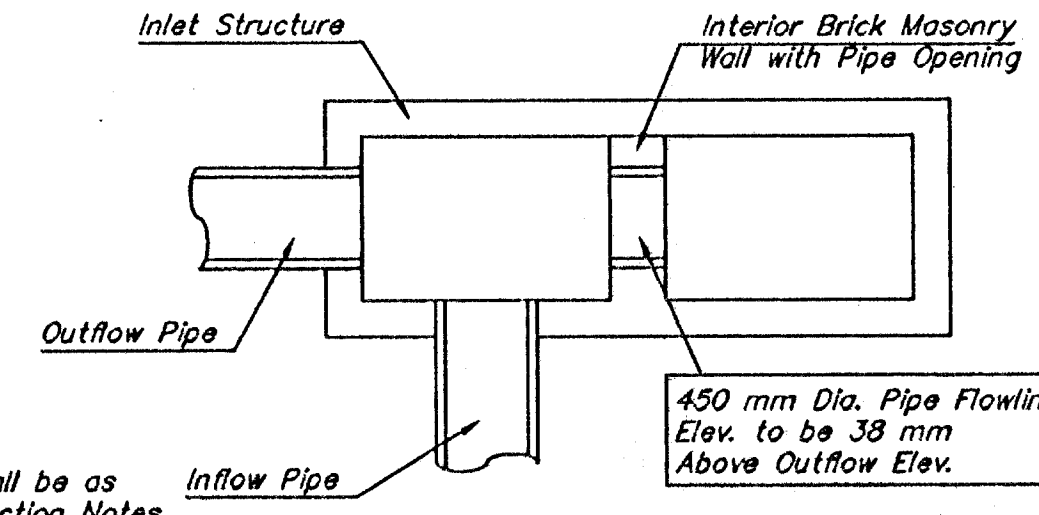


SECTION C-C

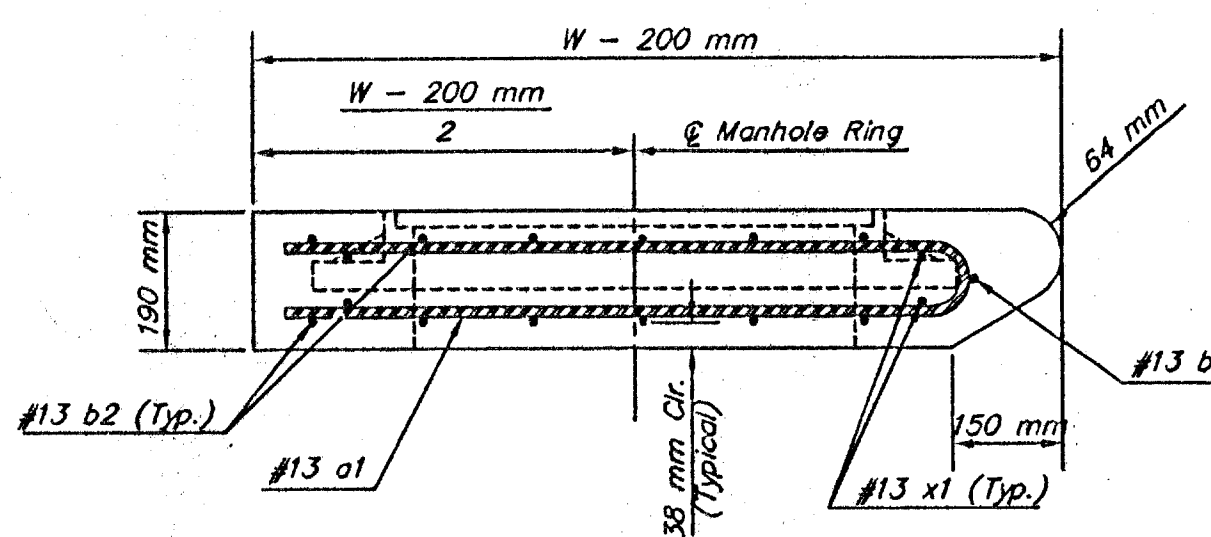


CASE I

NOTE: Center Wall Pipe Size shall be as Specified in Inlet Construction Notes on the Plan/Profile Sheets for those Cases not shown Here.



CASE II



SECTION A-A

NOTES:

** A center wall opening shall be provided by means of a section of reinforced concrete pipe. See Case I and Case II below.

*** Slope of inlet tops to match sidewalk of parking slopes within limits indicated.

NOTE: All dimensions shown without a SI suffix are in millimeters.

THE CITY OF WICHITA

STANDARD TYPE 1 CURB INLET
OPENING = 150 mm x 3 m

M. E. LINDEBAK P.E. - CITY ENGINEER

PROJECT NUMBER 54-87 K-8258-05 INDEX CODE 7

CITY ENGINEER'S OFFICE
455 NORTH MAIN STREET
WICHITA, KANSAS 67202
(316) 268-5011 (316) 268-4114 FAX

DATE 2003