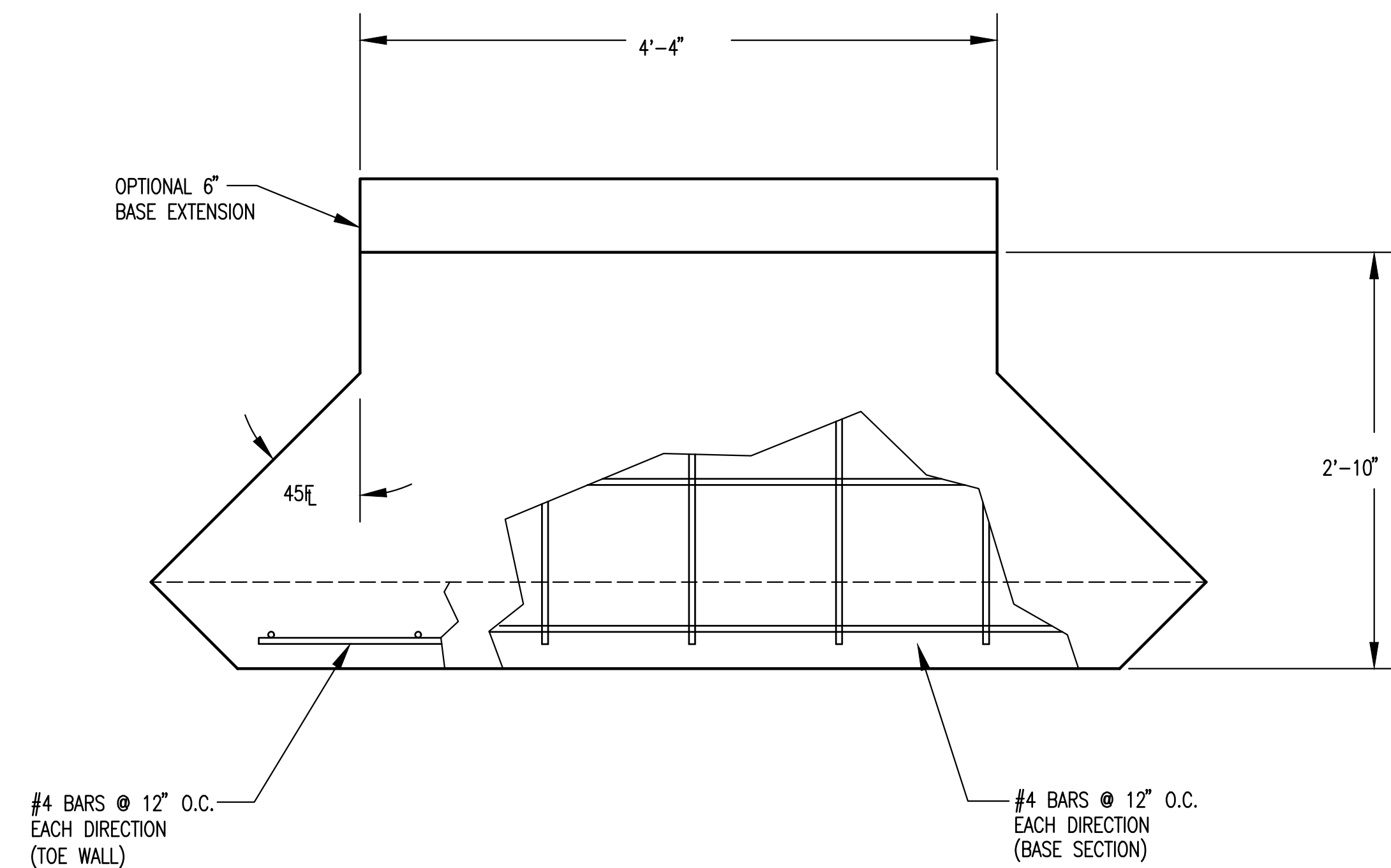
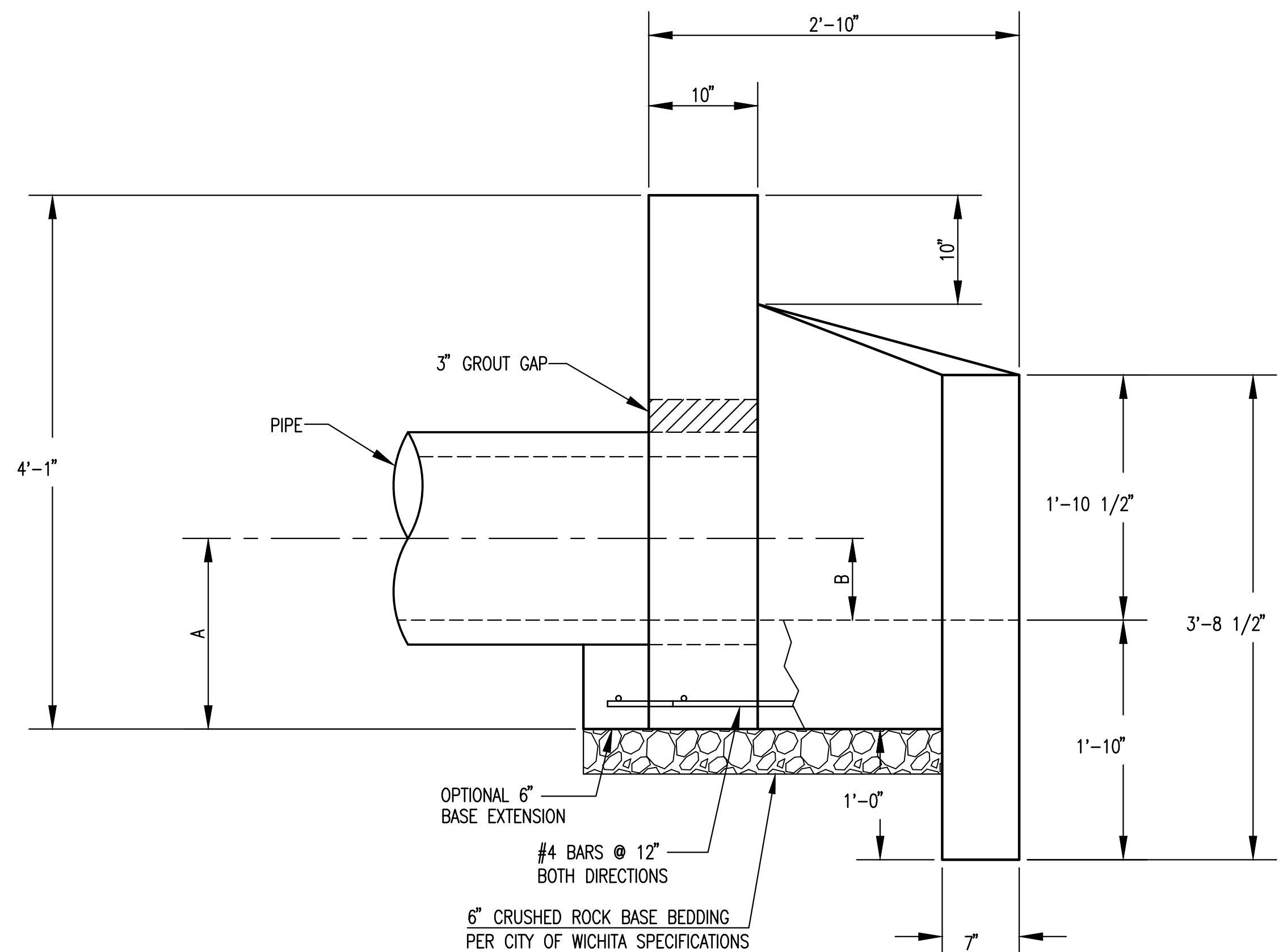


PLAN VIEW

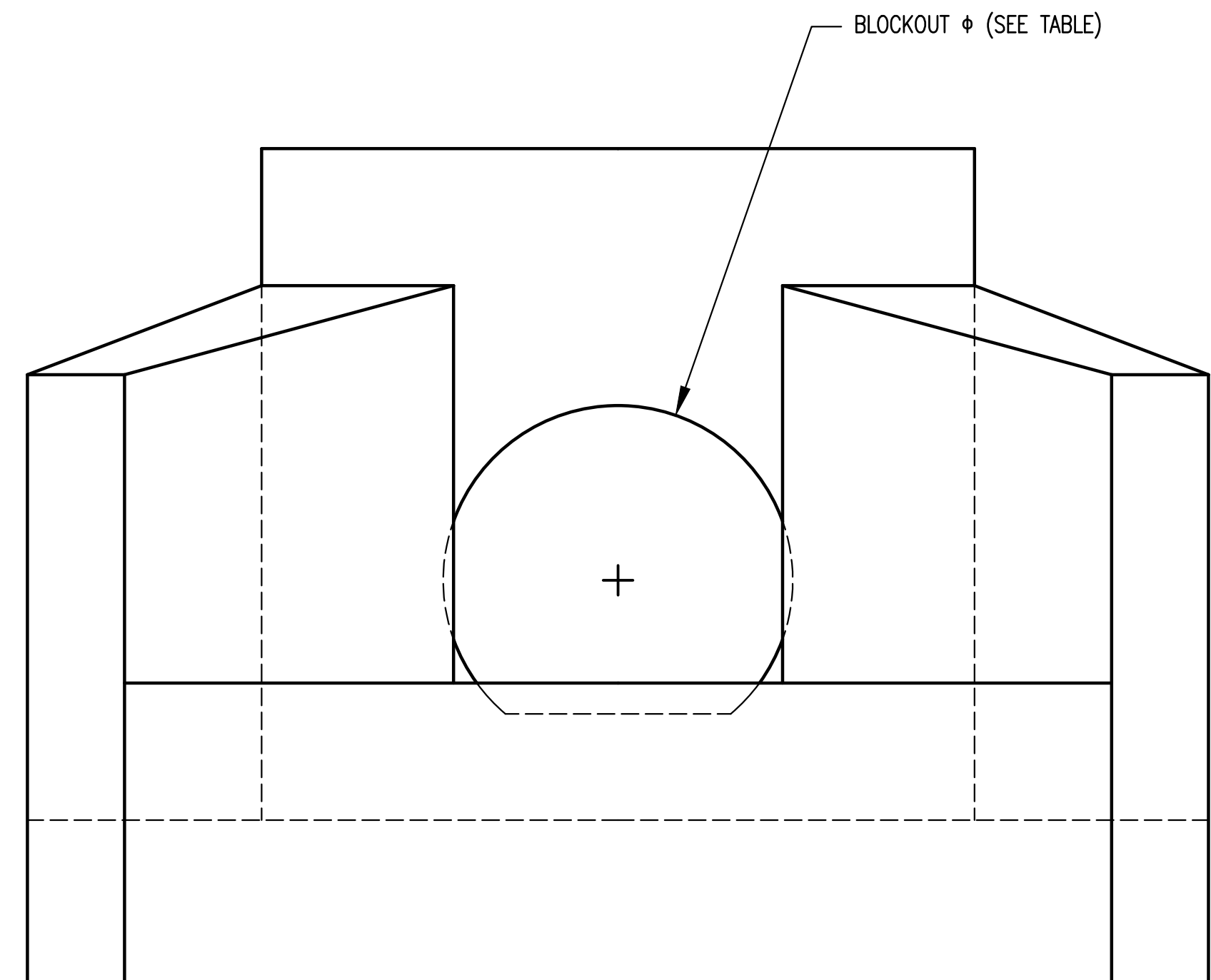


PLAN VIEW  
BASE

PIPE $\phi$	A	B	BLOCKOUT $\phi$
15"	1'-5 1/2"	7 1/2"	2'-1 1/2"
18"	1'-7"	9"	2'-5"
24"	1'-10"	1'-0"	3'-0"



ELEVATION



FRONT VIEW

HEADWALLS, AS SHOWN, WILL NOT SUPPORT FLAP GATE.



**HEADWALL  
DETAILS FOR  
15", 18", AND 24" PIPE**

CITY ENGINEER  
**GARY JANZEN, P.E.**

PROJECT NUMBER 468-85097	OCA NUMBER 751550	DATE 11/2010
-----------------------------	----------------------	-----------------

CITY ENGINEER'S OFFICE  
CITY HALL - SEVENTH FLOOR  
455 NORTH MAIN STREET  
WICHITA, KANSAS 67202-1620  
(316) 268-4501

**14 of 23**

Sheet 12 of 2016 10/16/10 AM by JAC  
 Proj. Sskd 11 12-05-2016 11:49:00 AM by KURTIS DEKAT  
 U:\Wichita-Civil\2015\15627\002\Wm\Drawings\15627-002-14C-HEADWALL DETAILS-15-18 AND 24 PIPE