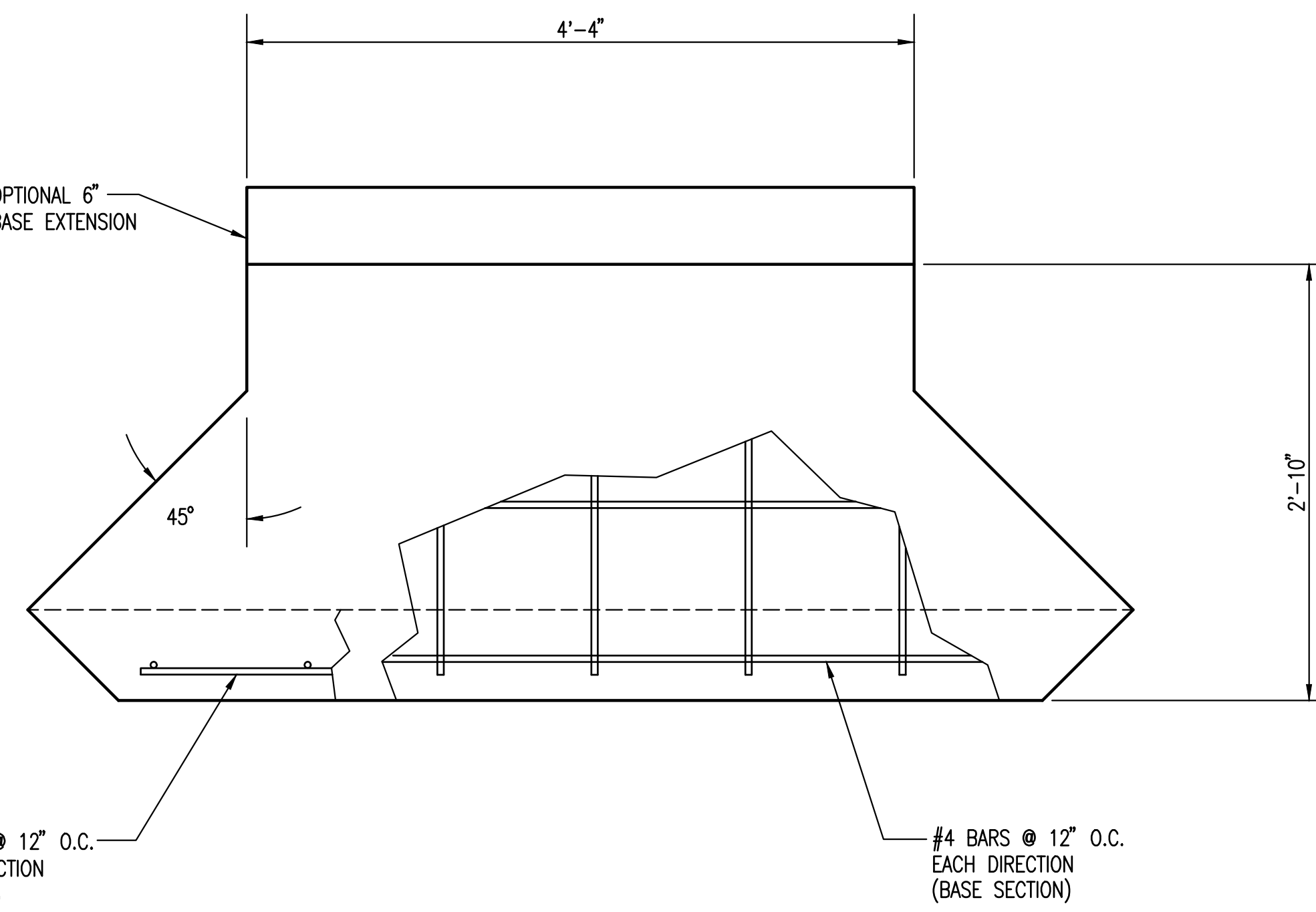
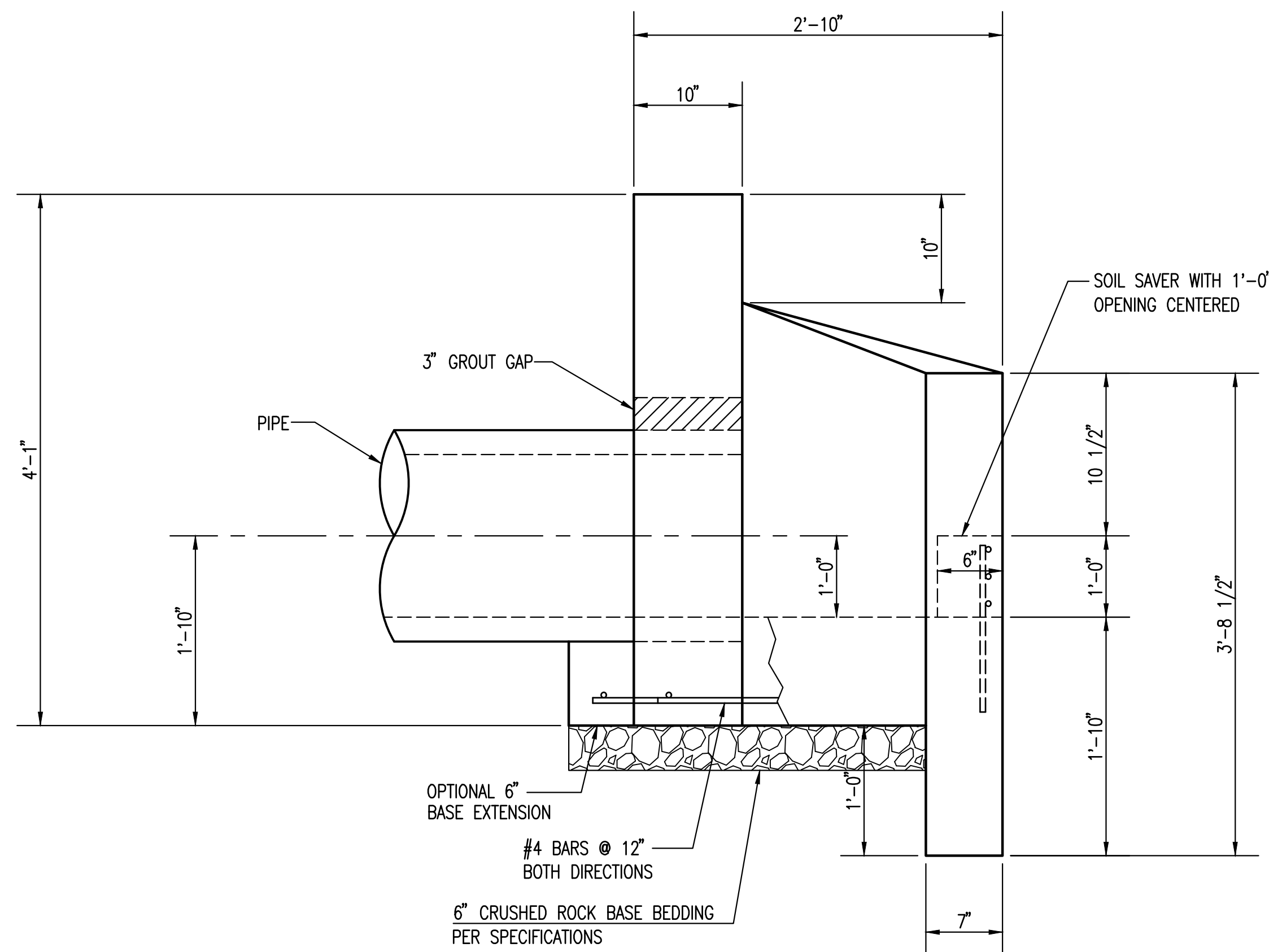


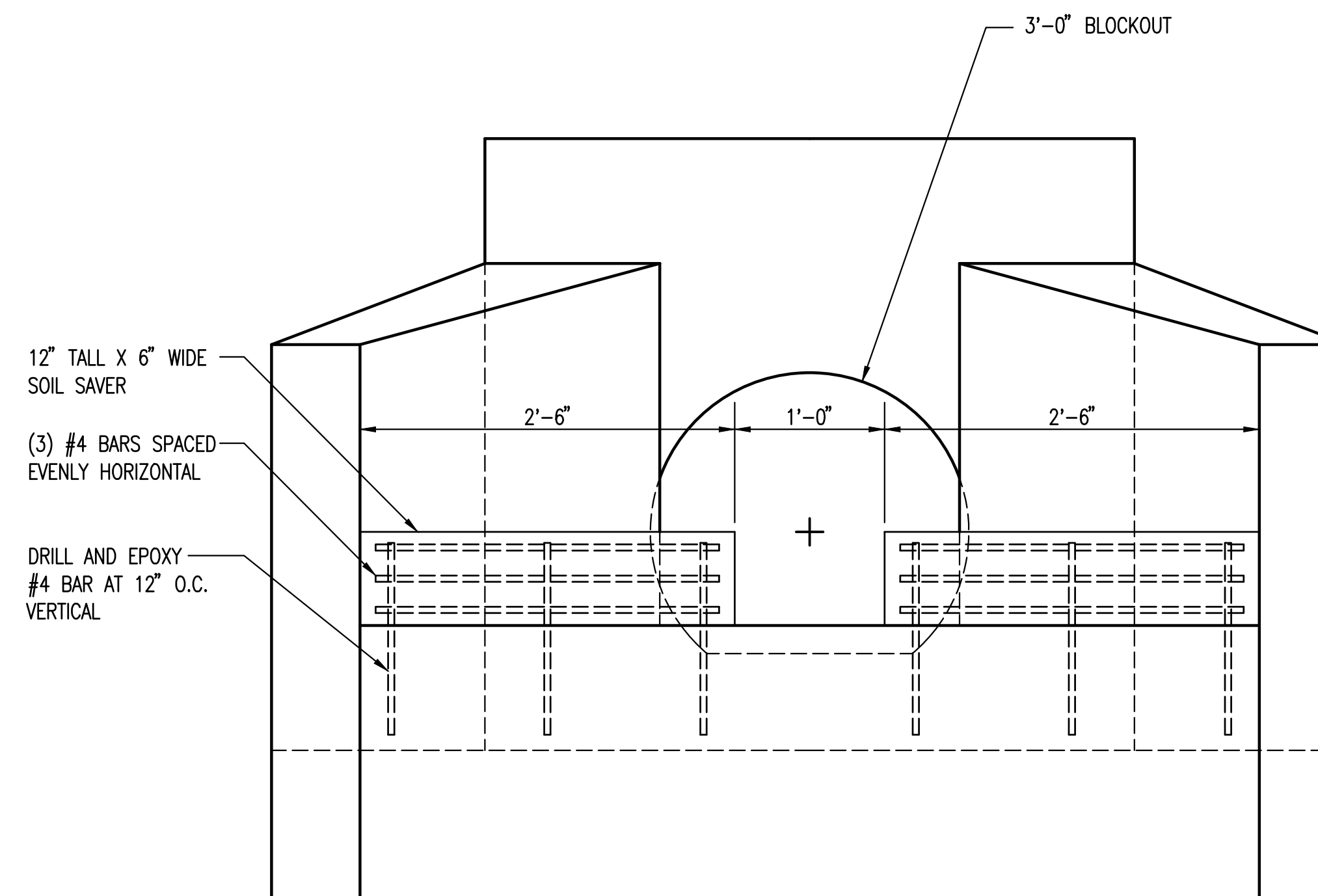
PLAN VIEW



PLAN VIEW
BASE



ELEVATION



FRONT VIEW

HEADWALLS, AS SHOWN, WILL NOT SUPPORT FLAP GATE.

Solved 10-24-2016 3:39:43 PM by KURPIS/DEKAT
 Plot Scale 1:1 12-05-2016 11:18:15 AM by KURPIS/DEKAT
 U:\Wichita-Civil\2015\15627\002\Drawings\15627-002-15C-24 HEADWALL W-SOIL SAVER

	Revision		By	Date
	TALLGRASS EAST COMMERCIAL 2ND ADDITION STORM WATER DRAIN NO. 407			
	<h2>24 HEADWALL W-SOIL SAVER</h2>			
	GARY JANZEN, P.E. - CITY ENGINEER CITY OF WICHITA PROJECT NO. 468-85097			
		PROFESSIONAL ENGINEERING CONSULTANTS, P.A. 303 SOUTH TOPEKA WICHITA, KS 67202 316-262-2691 www.pec1.com		
Designed by	JAG, TBK	Job No.	31-15627-002	Sht. 15 of 23
Drawn by	BJS	Date	April 2016	