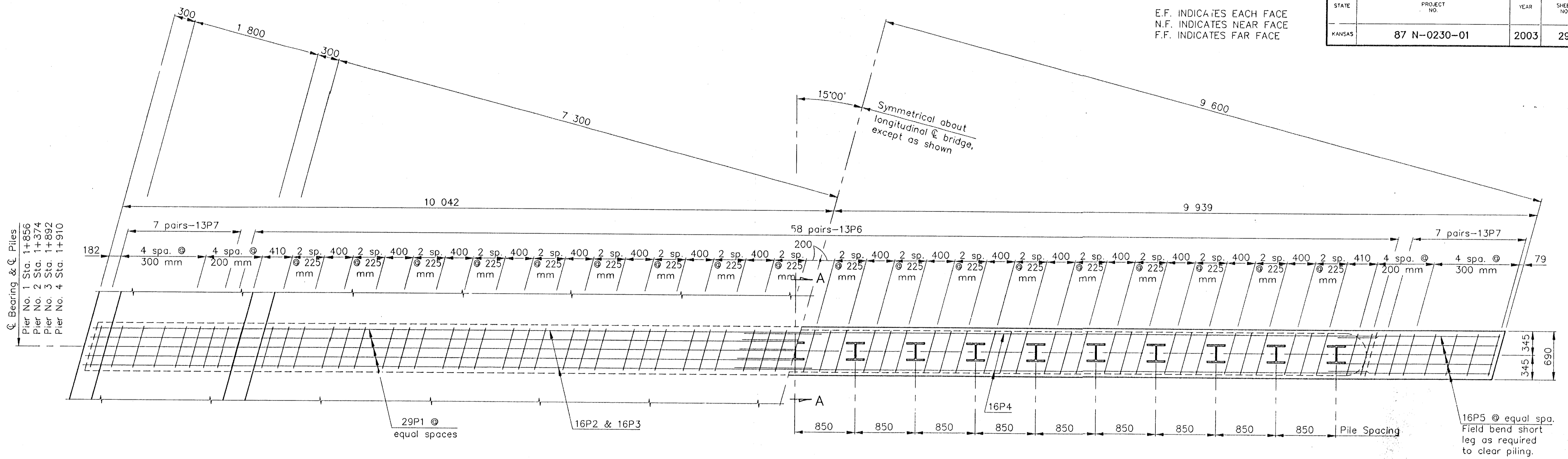


E.F. INDICATES EACH FACE  
 N.F. INDICATES NEAR FACE  
 F.F. INDICATES FAR FACE

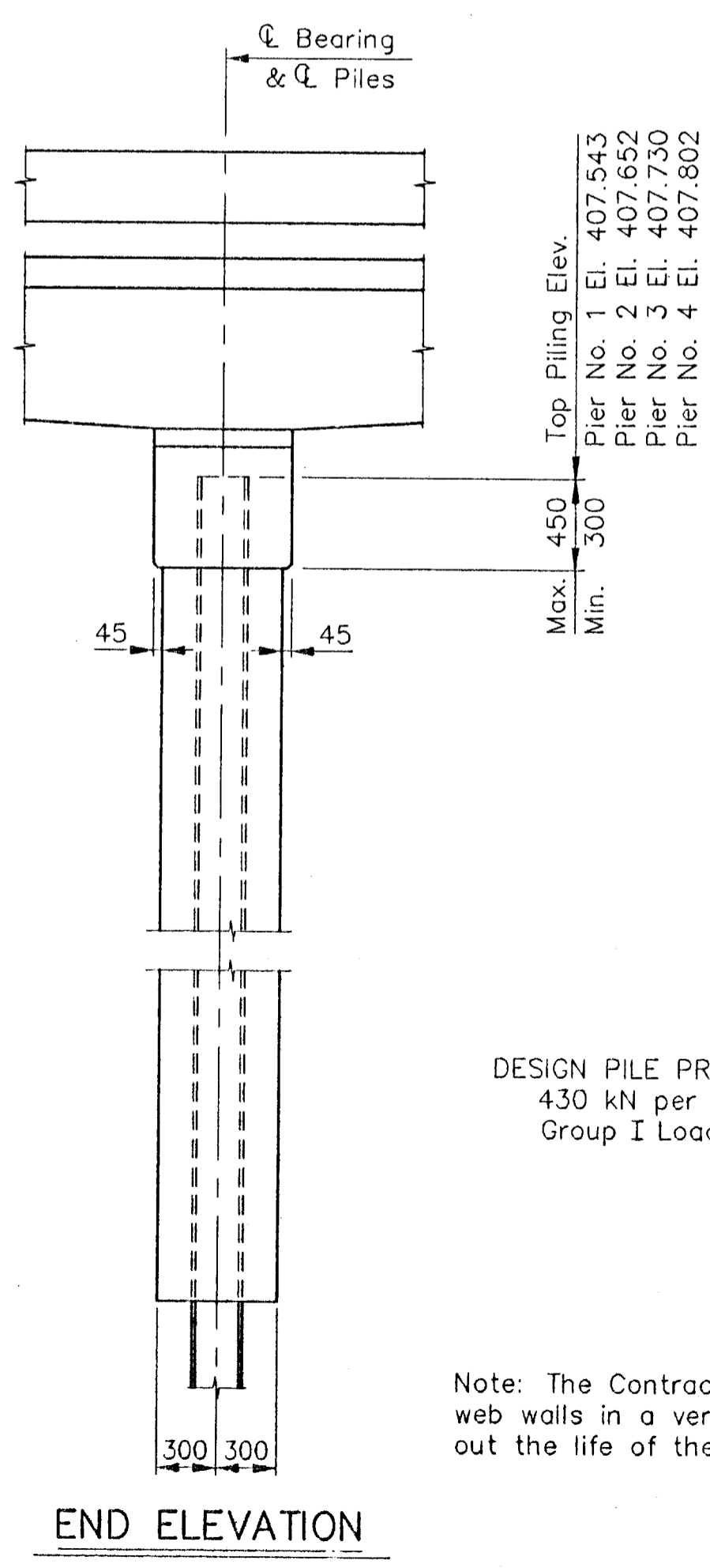
STATE	PROJECT NO.	YEAR	SHEET NO.	TOTAL SHEETS
KANSAS	87 N-0230-01	2003	29	73



REINFORCING STEEL IN TOP

PLAN OF PIER CAP

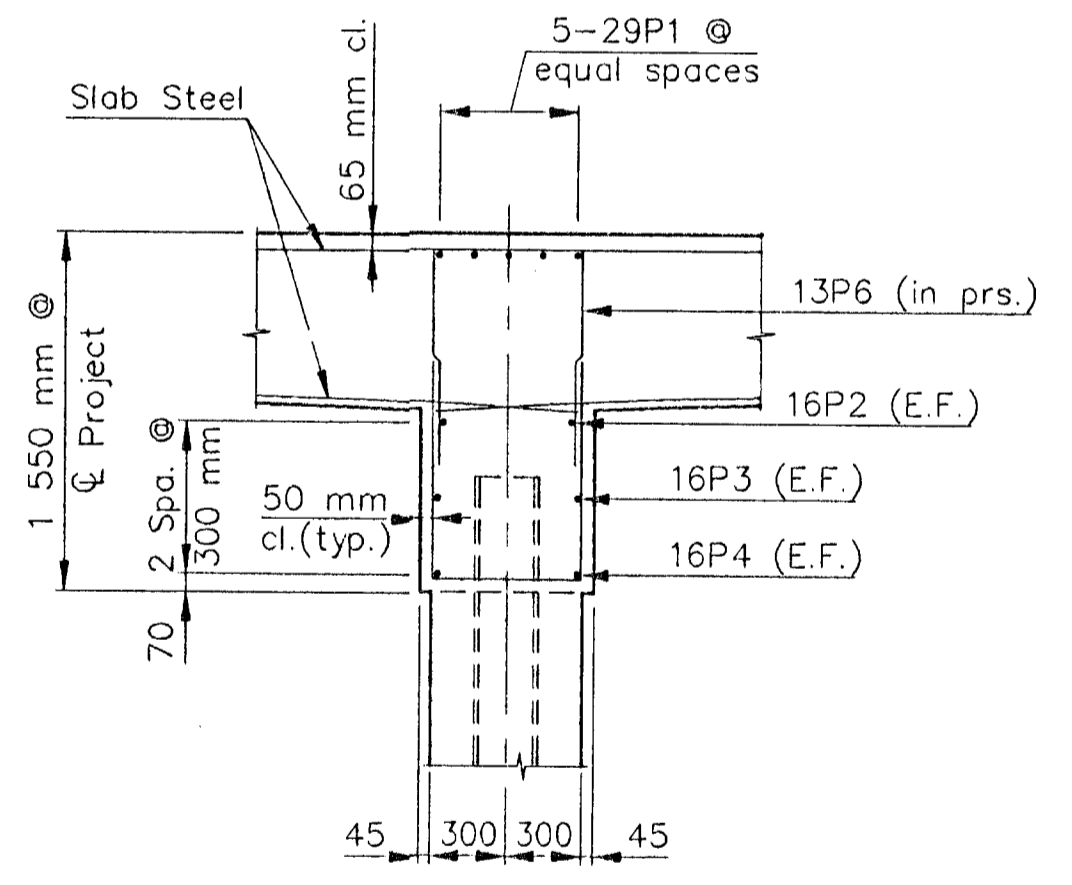
REINFORCING STEEL IN BOTTOM



END ELEVATION

DESIGN PILE PRESSURE  
 430 kN per Pile  
 Group I Loading

Note: The Contractor shall maintain the web walls in a vertical position throughout the life of the contract.



SECTION A-A

PROJECT NO. 87 N-0230-01		 <b>Cook, Flatt &amp; Strobel</b> ENGINEERS, P.A.	
PIER DETAILS			
13TH STREET NORTH OVER COWSKIN CREEK		DESIGNED RSC	SCALE
STA. 1+883	CITY OF WICHITA	DETAILED DEG	DATE
		QUANTITIES	SHEET OF

J:\02517\DWG\PIER 1:30 (1:03)