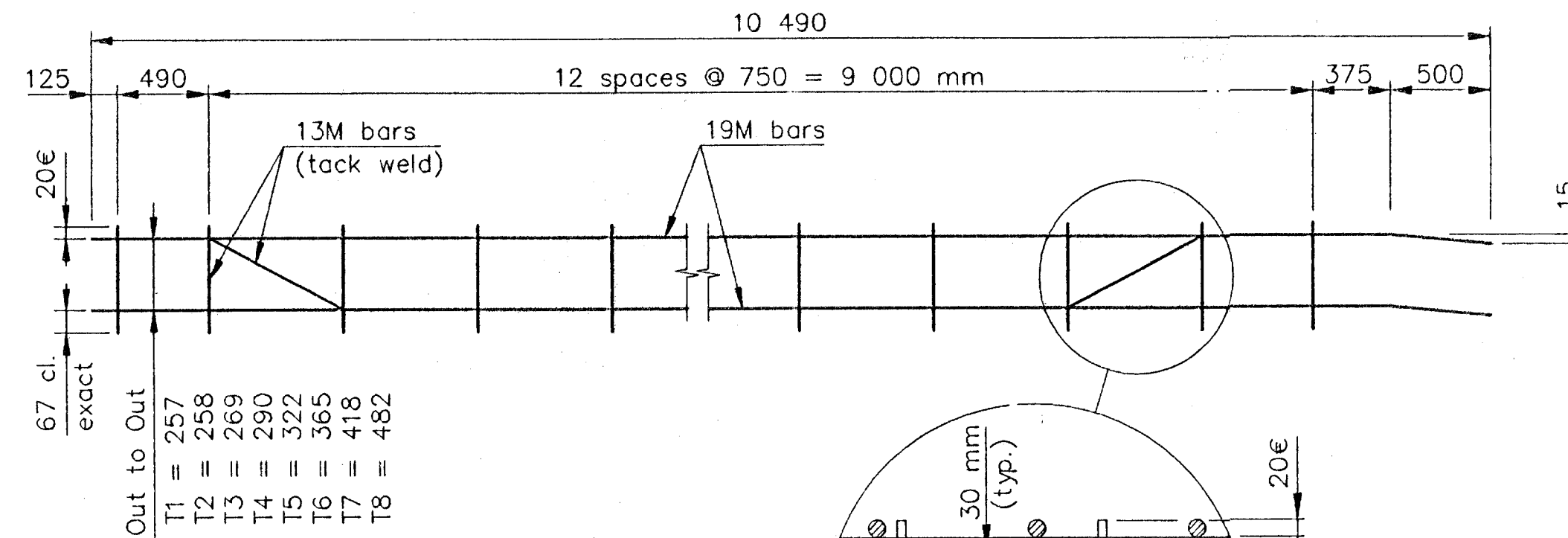


BILL OF REINFORCING STEEL

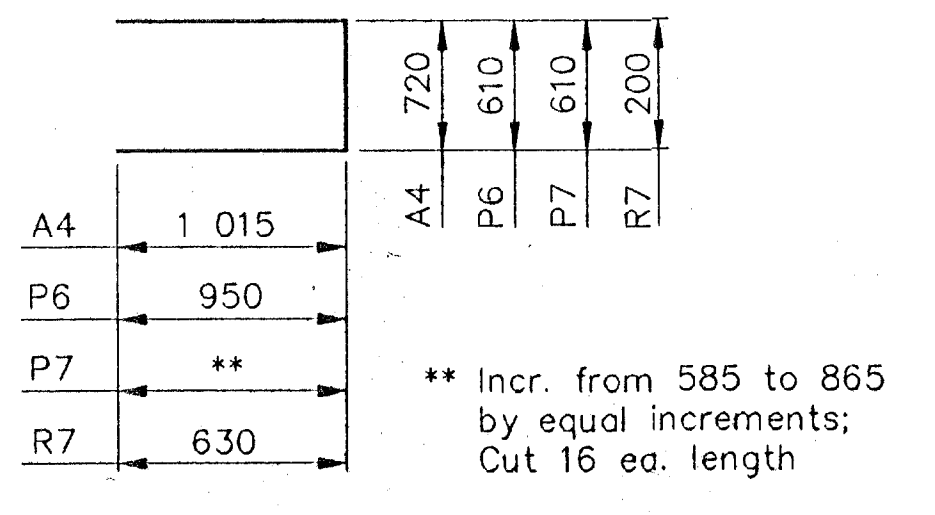
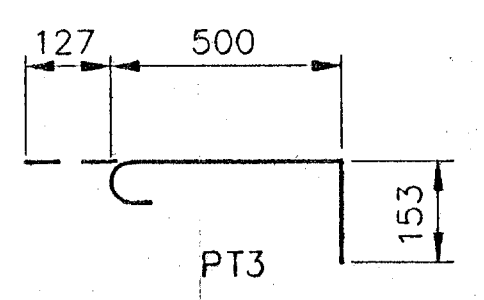
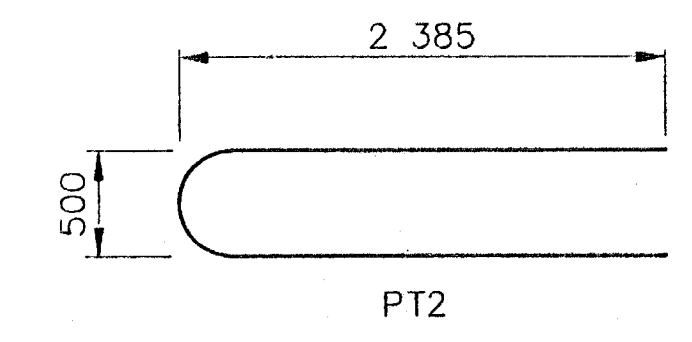
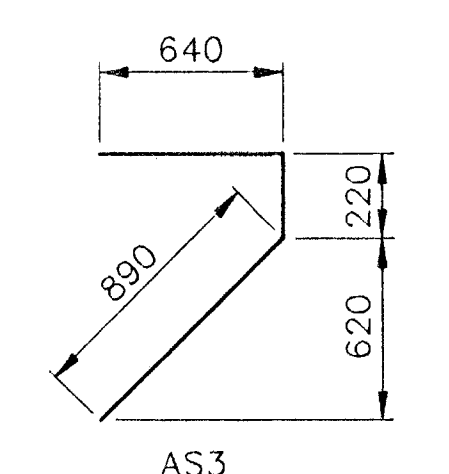
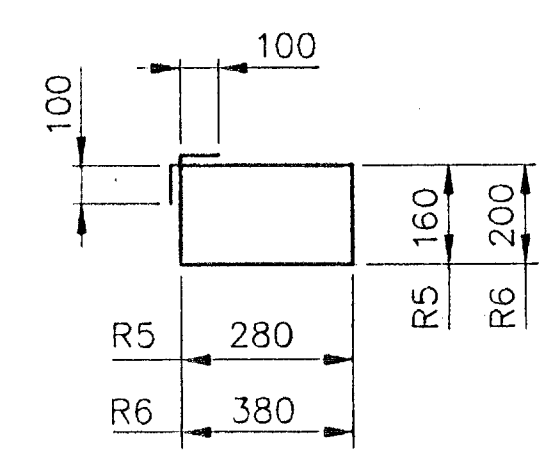
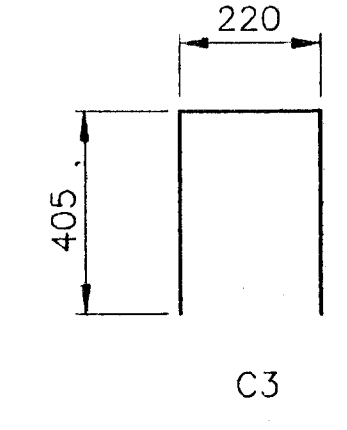
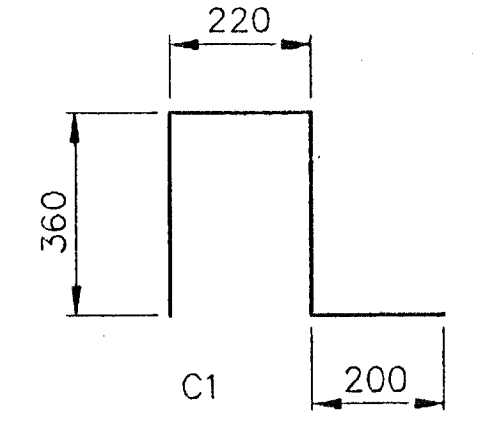
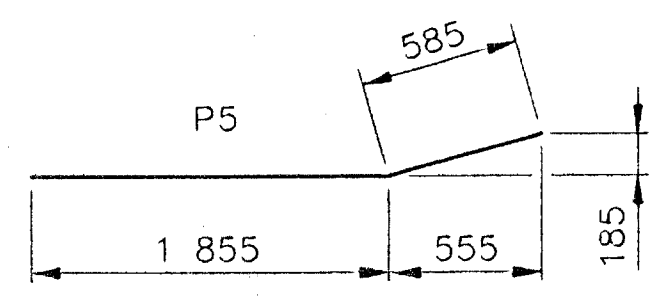
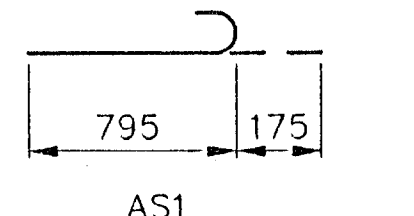
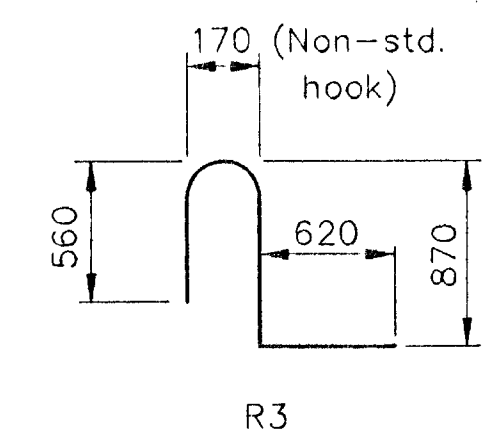
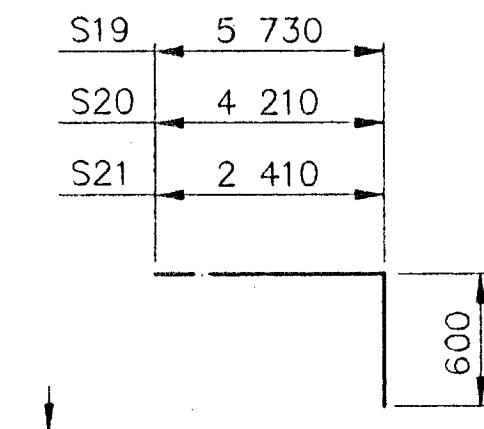
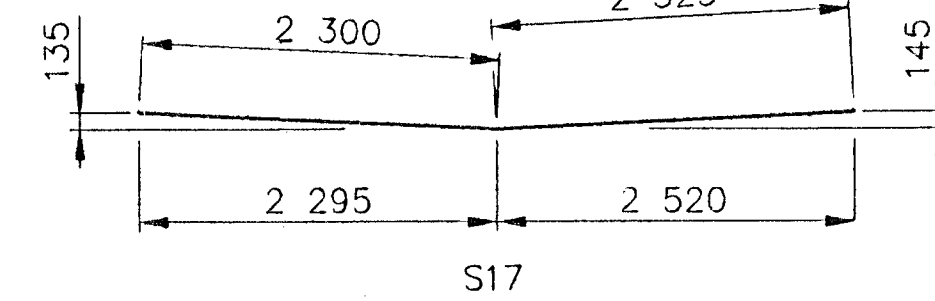
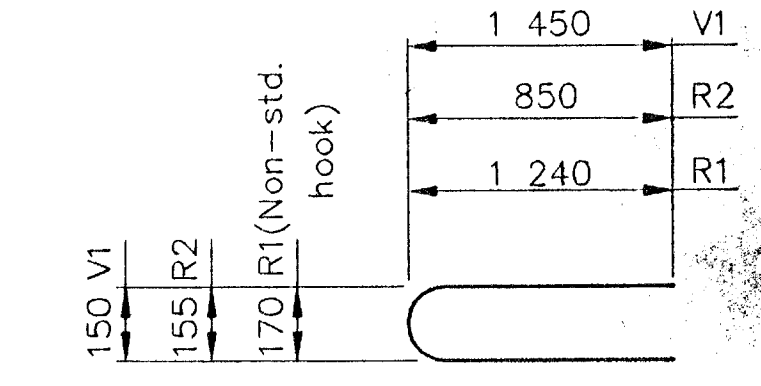
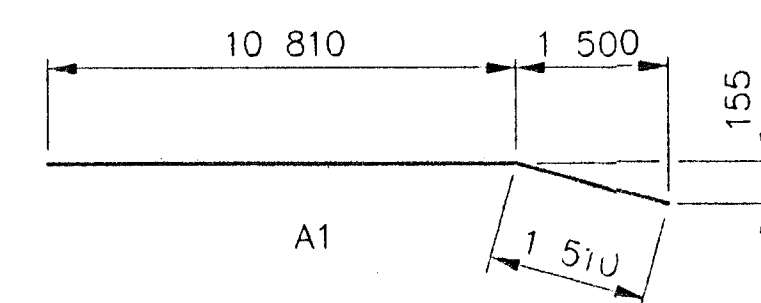
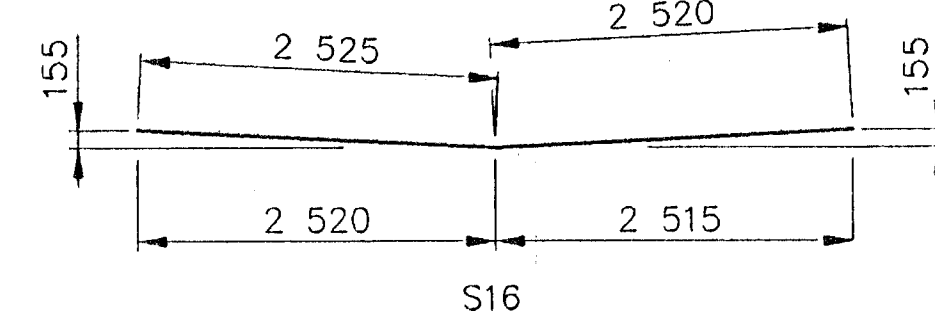
	STRAIGHT BARS				BENT BARS			
	Mark	Size	No.	Length	Mark	Size	No.	Length
SUBSTRUCTURE (Uncoated)	PC1	13	108	4 800	PT2	13	136	5 040
	PC2	13	108	5 700				
	PC3	13	108	6 000	PT3	10	216	780
	PC4	13	108	5 100				
	PT1	13	136	12 190				
SUPERSTRUCTURE (Epoxy Coated)	S1	36	84	17 070	S16	32	90	5 045
	S2	36	90	16 770	S17	32	90	4 825
	S3	36	90	16 470	A1	25	16	12 320
	S4	32	45	16 780	S19	25	90	6 330
	S5	32	90	13 770	S20	25	84	4 810
	S6	32	90	13 420	S21	25	84	3 010
	S7	32	42	12 970				
	S8	32	84	12 960	R1	22	24	2 550
	S9	32	84	12 500	R3	22	424	2 120
	S10	32	84	11 290				
	S11	32	42	9 160	R2	19	4	1 760
	S12	32	84	9 150				
	S13	32	84	8 700	AS1	16	100	970
	S14	32	84	8 240	P5	16	40	2 440
	S15	32	84	7 930	V1	16	84	2 960
	S18	29	135	5 200	A4	13	280	2 750
	P1	29	40	11 060	AS3	13	128	1 750
					C1	13	324	1 140
	A2	25	16	12 090	C3	13	268	1 030
					P6	13	464	2 510
	R8	19	24	3 350	P7	13	112	Varies
	R9	19	300	2 900	R4	13	424	1 020
	P2	16	16	10 180	R5	10	718	1 080
	P3	16	16	9 390	R6	10	104	1 360
	P4	16	16	8 490	R7	10	224	1 460
	T9	16	386	10 290				
	A3	13	24	11 780				
	AS2	13	4	9 920				
	C2	13	28	12 090				
	C4	13	16	3 050				
C5	13	8	1 800					
C6	13	104	350					
H1	13	64	2 350					
H2	13	32	1 450					
SC1	13	156	2 000					
T10	13	386	10 230	WELDED SPACER FRAMES				
				Mark	No.	Weight Each (kg)		
				T1	12	53.28		
				T2	16	53.26		
				T3	16	53.45		
				T4	16	53.75		
				T5	16	54.22		
				T6	16	54.84		
				T7	16	55.62		
				T8	16	56.56		

BENDING DIAGRAMS

All dimensions are out to out of bars.



T1 THRU T8 WELDED SPACER FRAMES



LIST EQUIVALENT BAR SIZES

Imperial System	International System (SI)	Area mm ²	Mass kg/m
#3	10	71	0.560
#4	13	129	0.994
#5	16	199	1.552
#6	19	284	2.235
#7	22	387	3.042
#8	25	510	3.973
#9	29	645	5.060
#10	32	819	6.404
#11	36	1 006	7.907
#14	43	1 452	11.380
#18	57	2 581	20.240

Note: Imperial bar sizes shall be used when the SI bar sizes are not available.

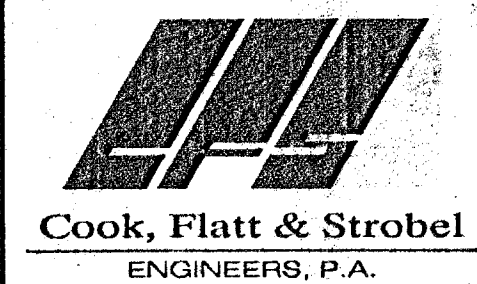
PROJECT NO. 87 N-0230-01

BILL OF REINFORCING

13TH STREET NORTH OVER COWSKIN CREEK

STA. 1+883

CITY OF WICHITA



DESIGNED	RSC	SCALE
DATE	DEG	DATE
QUANTITIES	SHEET	OF