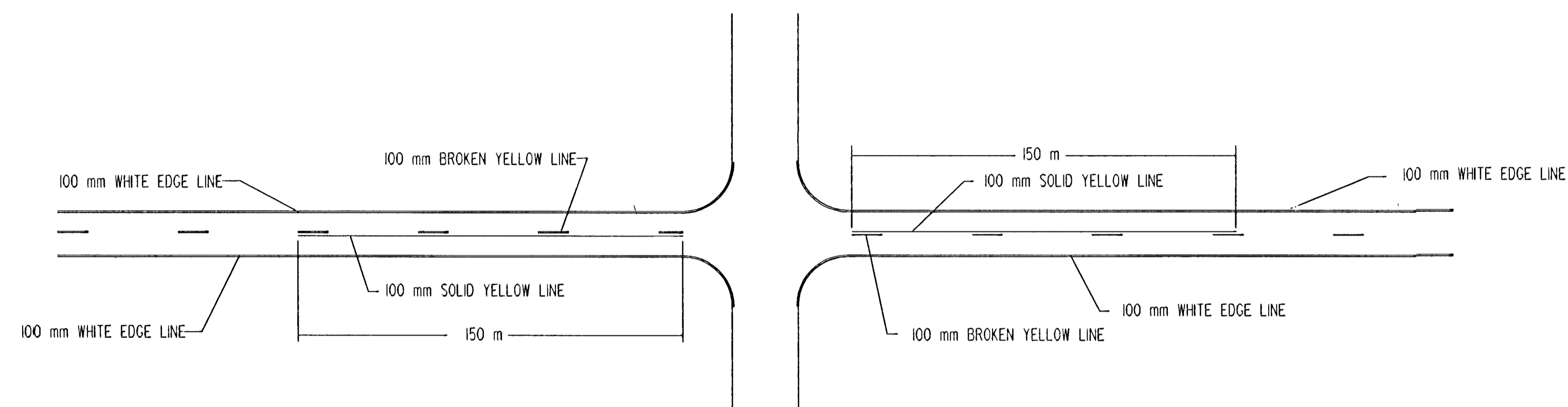
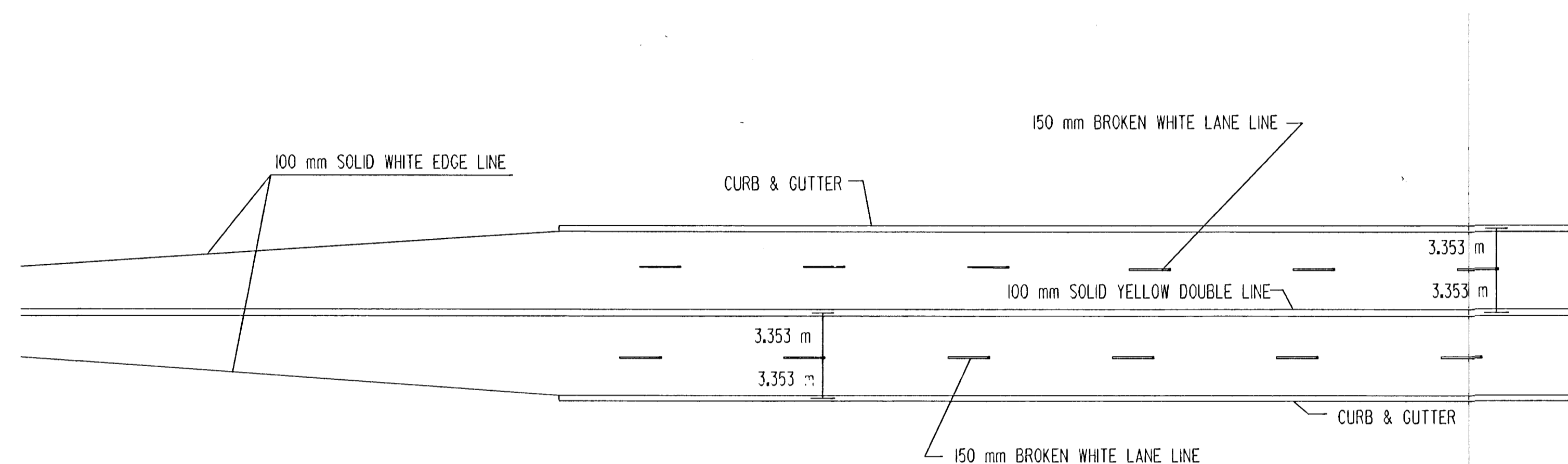


STATE	PROJECT NO.	YEAR	SHEET NO.	TOTAL SHEETS
KANSAS	87 N-0230-01	2003	73A	73

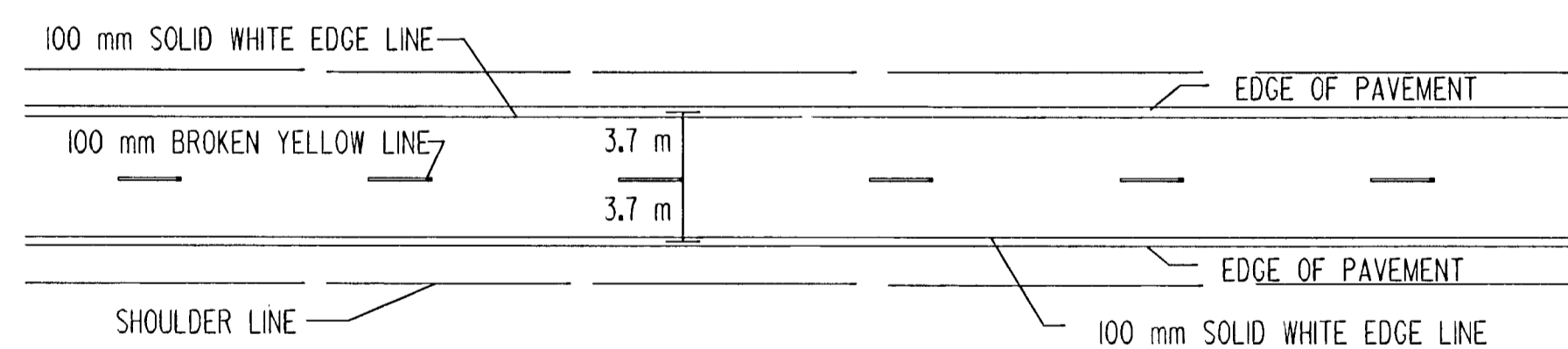
NOTE: ALL PAVEMENT MARKINGS SHALL BE BROKEN AT CROSS ROADS.



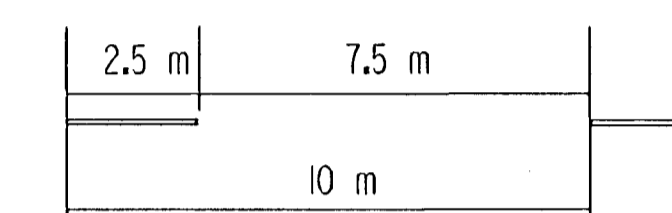
TYPICAL ROAD JUNCTION MARKINGS



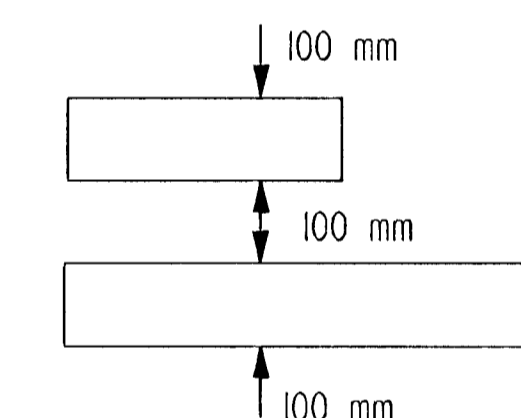
TYPICAL MARKINGS FOR FOUR LANE ROADWAY AND TRANSITION SECTION



TYPICAL TWO LANE MARKINGS



TYPICAL SPACING FOR BROKEN LINES UNLESS OTHERWISE NOTED ON PLANS



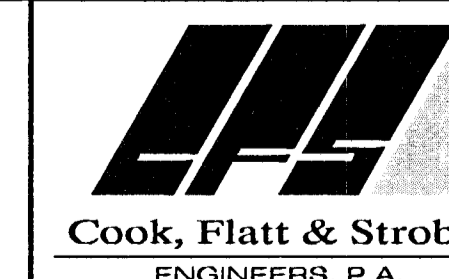
TYPICAL SPACING FOR NO PASSING LINES UNLESS OTHERWISE NOTED ON PLANS

SCALE

J:\02517\DWGS\TE-30851

PROJECT NO. 87 N-0230-01

TYPICAL PAVEMENT MARKING DETAILS



DESIGNED	SCALE
DATE	DATE
QUANTITIES	SHEET SH OF NO.

CITY OF WICHITA