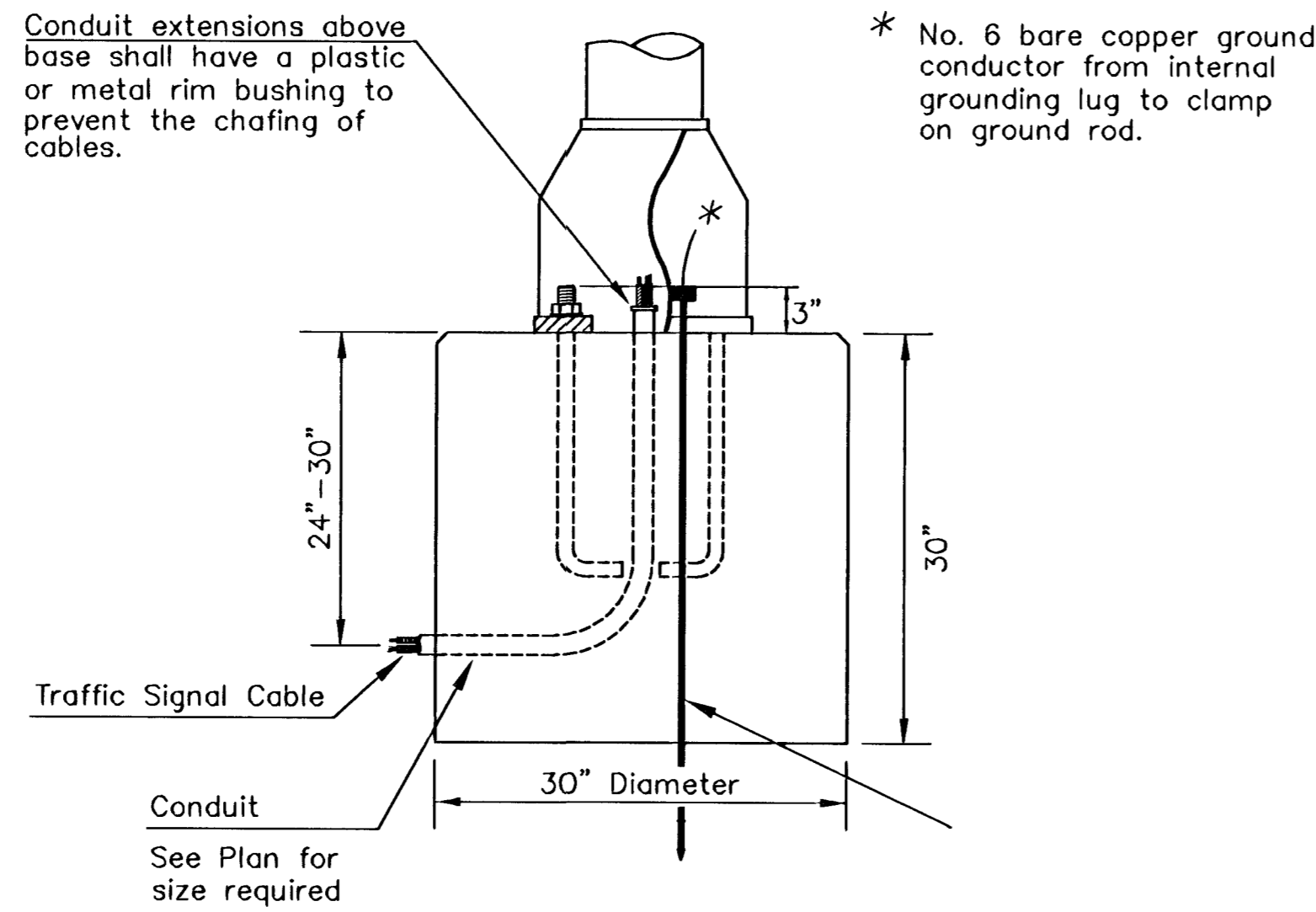
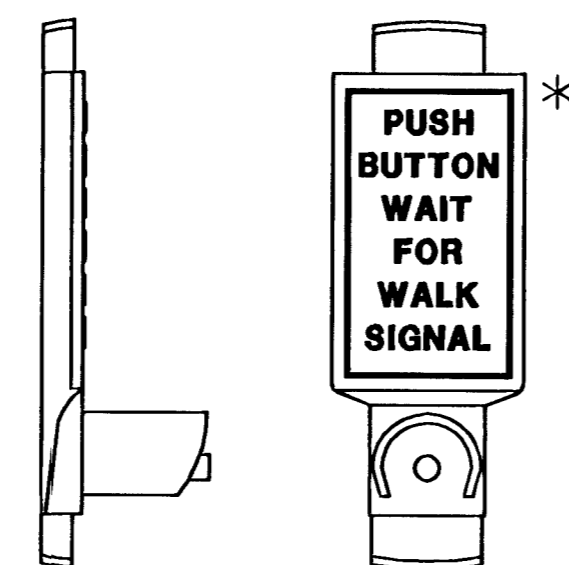


Conduit extensions above base shall have a plastic or metal rim bushing to prevent the chafing of cables.



CONCRETE BASE DETAIL

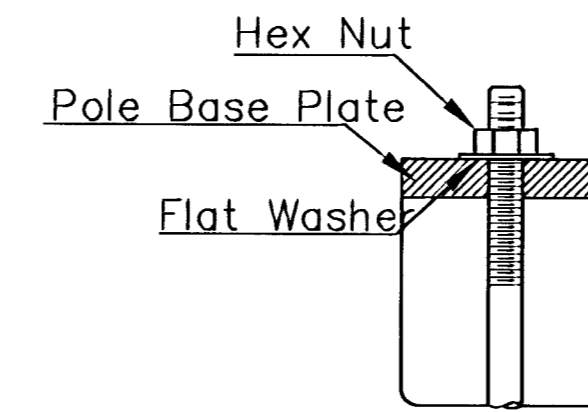
\* NOTE: MESSAGE TO BE CAST WITH HOUSING (ONE PIECE)



PEDESTRIAN PUSHBUTTON/SIGN UNIT DETAIL

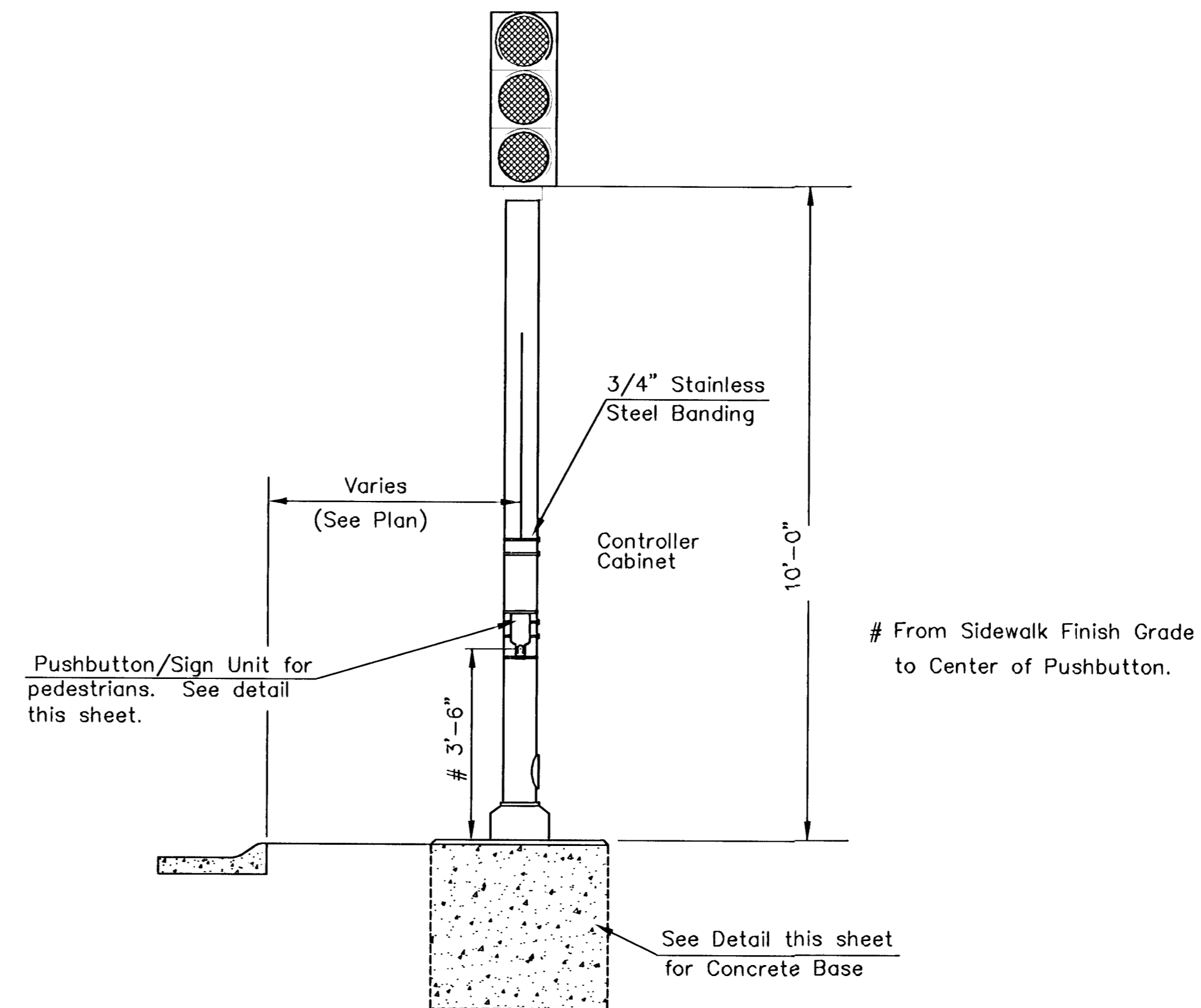
INSTALL PEDESTRIAN PUSHBUTTON UNDERNEATH CORRESPONDING PEDESTRIAN SIGNAL HEAD ON SIDE OF POLE NEAREST CROSSWALK. UNIT SHALL BE FIRMLY ATTACHED TO THE SIDE OF POLE WITH 3/4" STEEL BANDS. SHARP ENDS SHALL BE FOLDED UNDER TO PREVENT INJURY TO PEDESTRIANS.

Use Keystone "No-Weld Number 1 Anti-Seize Compound" on all bolts & nuts.



ANCHOR BOLT DETAIL

5/8" x 12'-0" Ground Rod.  
Install before base is poured.



TRAFFIC SIGNAL PEDESTAL

PROJECT DESCRIPTION		
<b>TRAFFIC SIGNAL PEDESTAL &amp; CONCRETE BASE</b>		
<b>DETAIL SHEET</b>		
PROJECT NUMBER		
DRAWN BY: C.O.W.	SCALE: NO SCALE	REVISED:
DATE: Apr. 97		DATE:
<b>CITY OF WICHITA</b>		
<b>DEPARTMENT OF PUBLIC WORKS</b>		
TRAFFIC ENGINEERING DIVISION		SCALE:
WM. G. MCKINLEY P.E.	TRAFFIC ENGINEER	<b>SHT 11 OF 20</b>