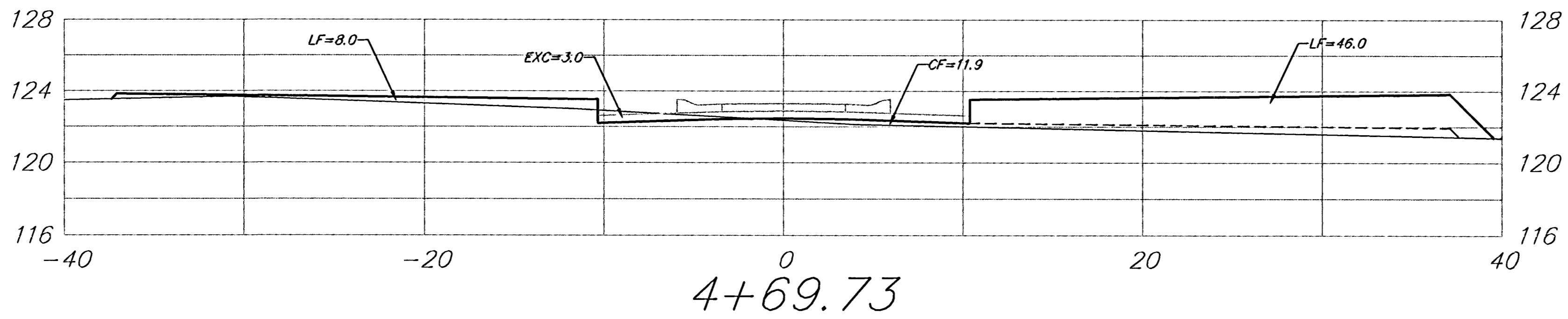
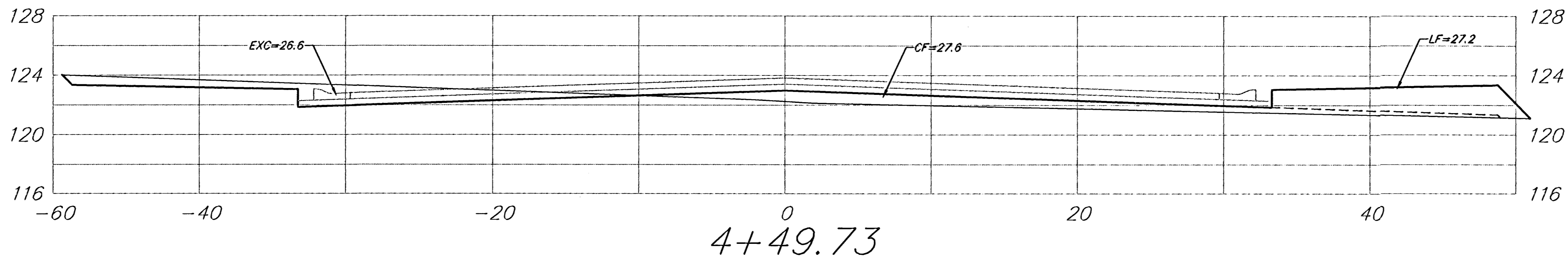


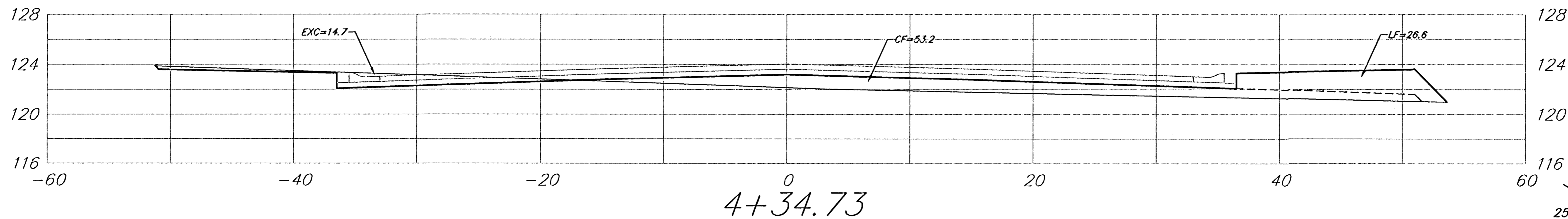
15.00'  $\left\{ \begin{array}{l} \text{EXC} = 0.8 \\ \text{LF} = 27.1 \\ \text{CF} = 3.3 \end{array} \right.$



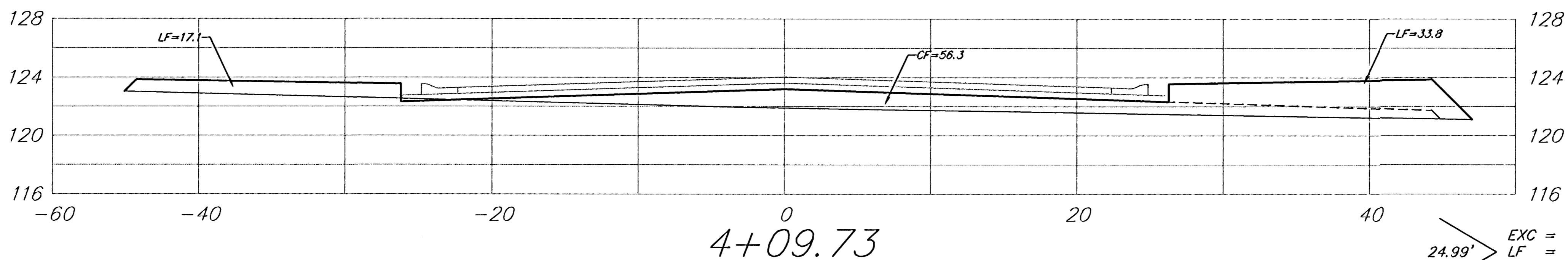
20.00'  $\left\{ \begin{array}{l} \text{EXC} = 11.0 \\ \text{LF} = 30.1 \\ \text{CF} = 14.6 \end{array} \right.$



15.00'  $\left\{ \begin{array}{l} \text{EXC} = 11.5 \\ \text{LF} = 14.9 \\ \text{CF} = 22.4 \end{array} \right.$



25.00'  $\left\{ \begin{array}{l} \text{EXC} = 6.8 \\ \text{LF} = 35.9 \\ \text{CF} = 50.7 \end{array} \right.$



24.99'  $\left\{ \begin{array}{l} \text{EXC} = 0.0 \\ \text{LF} = 45.1 \\ \text{CF} = 38.5 \end{array} \right.$

44TH COURT SOUTH (LOTS 8-21, BLOCK A)

Sheet Totals:  
 Excavation = 30.1 C.Y.  
 Loose Fill = 153.1 C.Y.  
 Compacted Fill = 129.5 C.Y.

	REV.
	SHEET
PROJECT NUMBER	20
472-83552	23