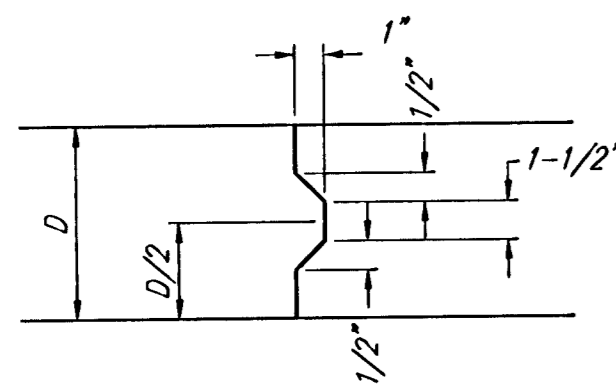
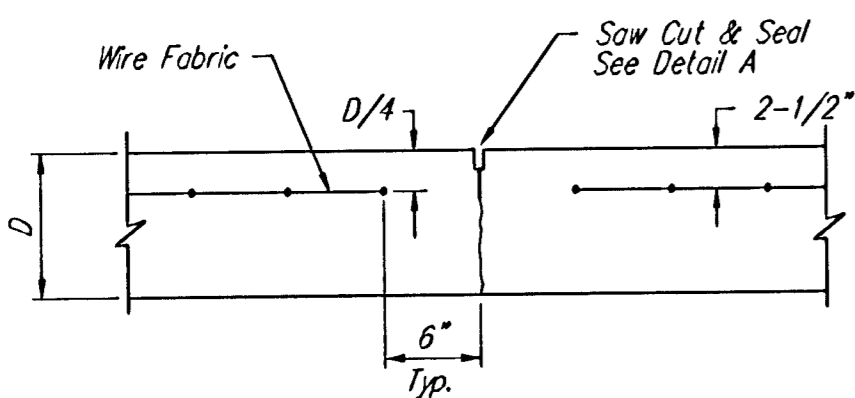


EXPANSION JOINT

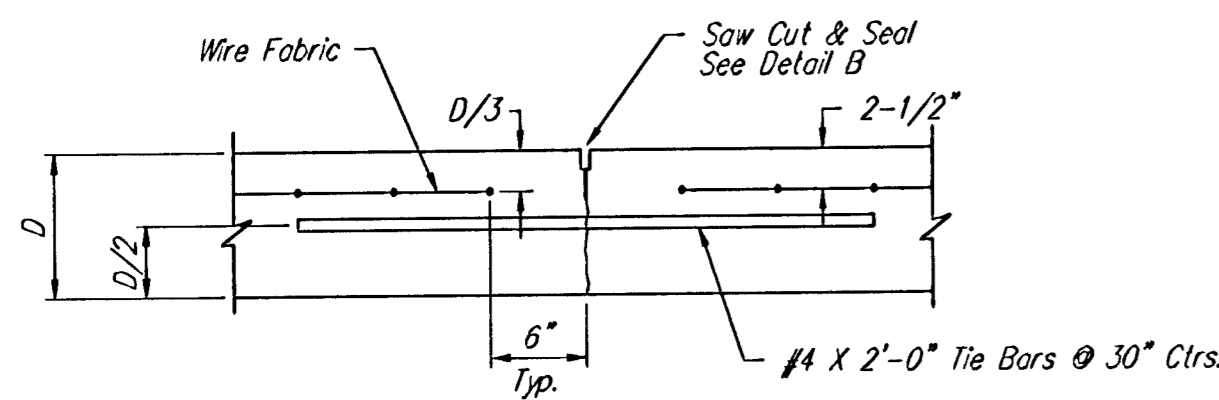
NOTE: Extra Thickness to be Subsidiary to Price of Square Yards Pavement



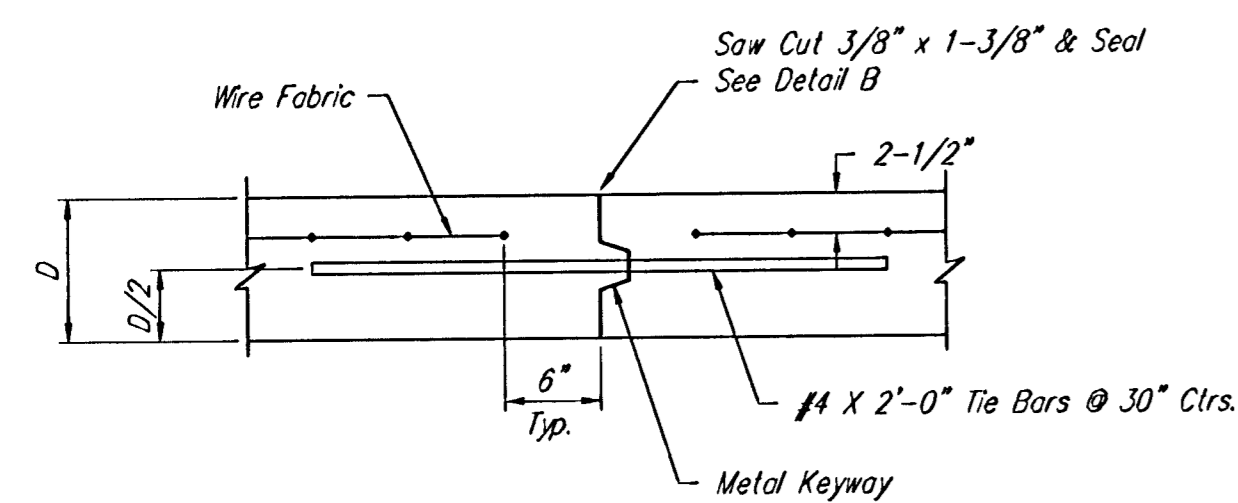
KEYWAY DETAIL



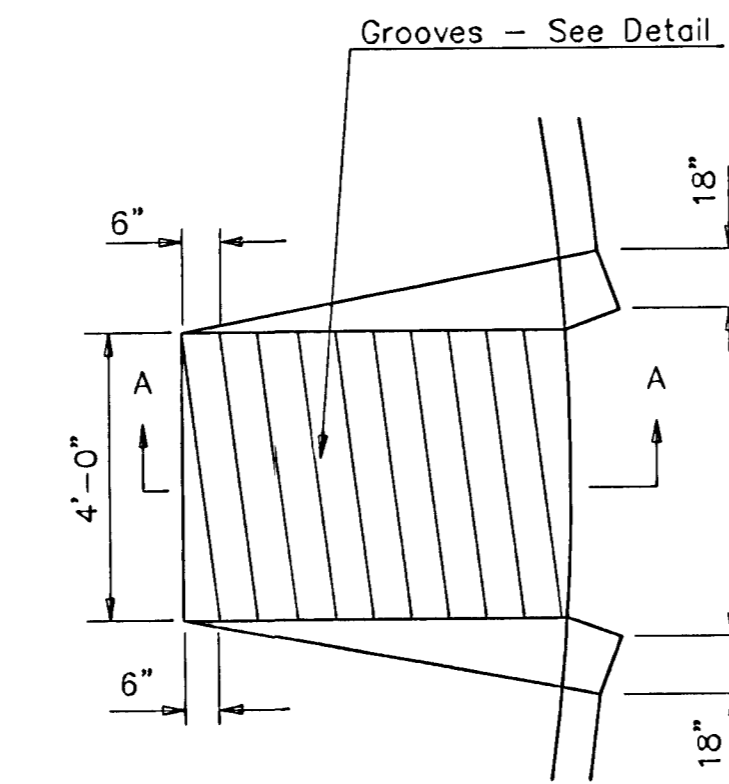
CONTRACTION JOINT DETAIL (C.J.)



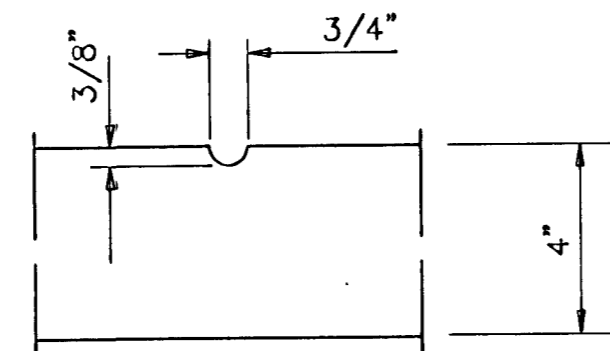
LONGITUDINAL JOINT DETAIL (L.J.)



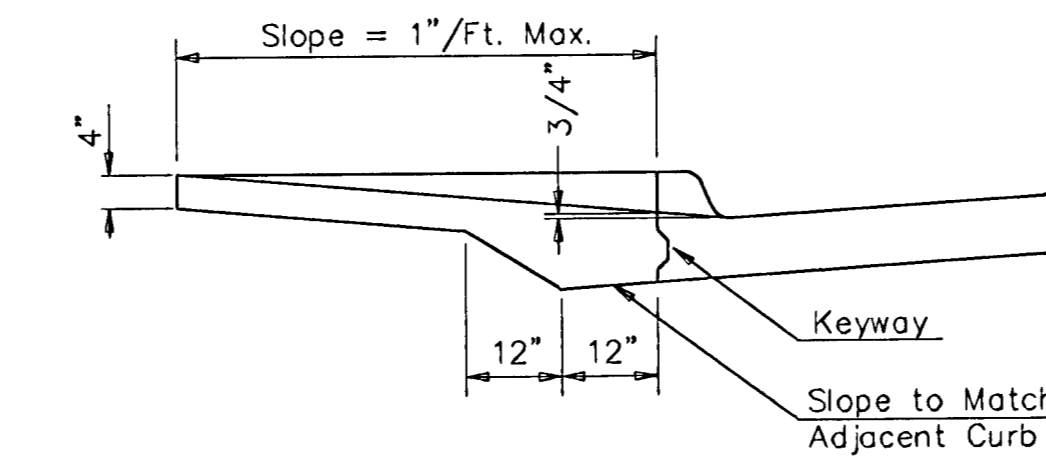
OPTIONAL LONGITUDINAL JOINT DETAIL (L.J.) (CONSTRUCTION JOINT)



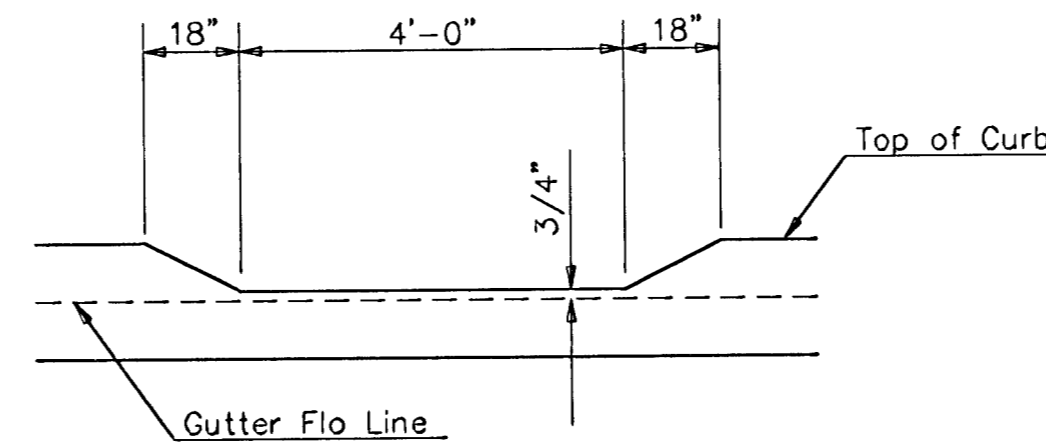
WHEELCHAIR RAMP PLAN VIEW



GROOVE DETAIL

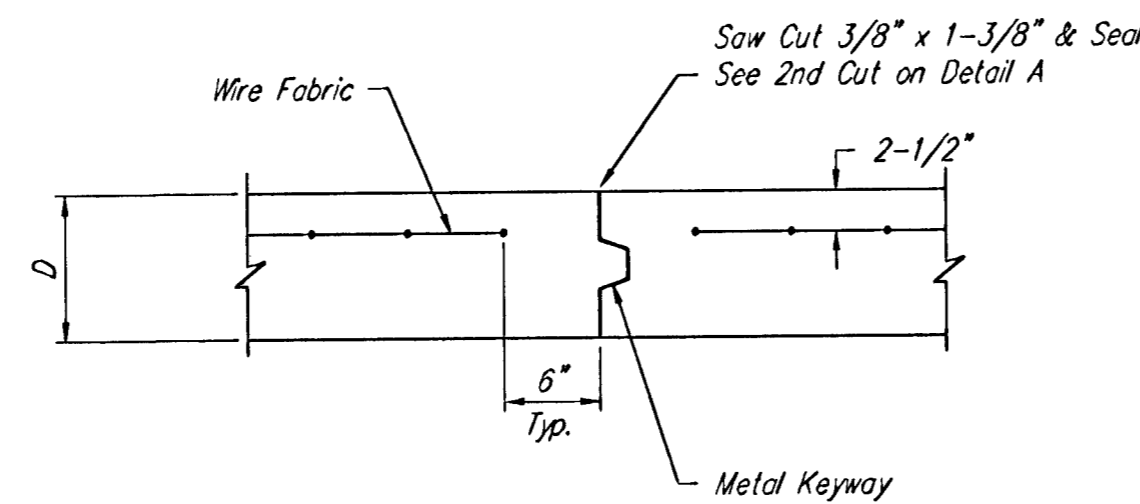


SECTION A-A

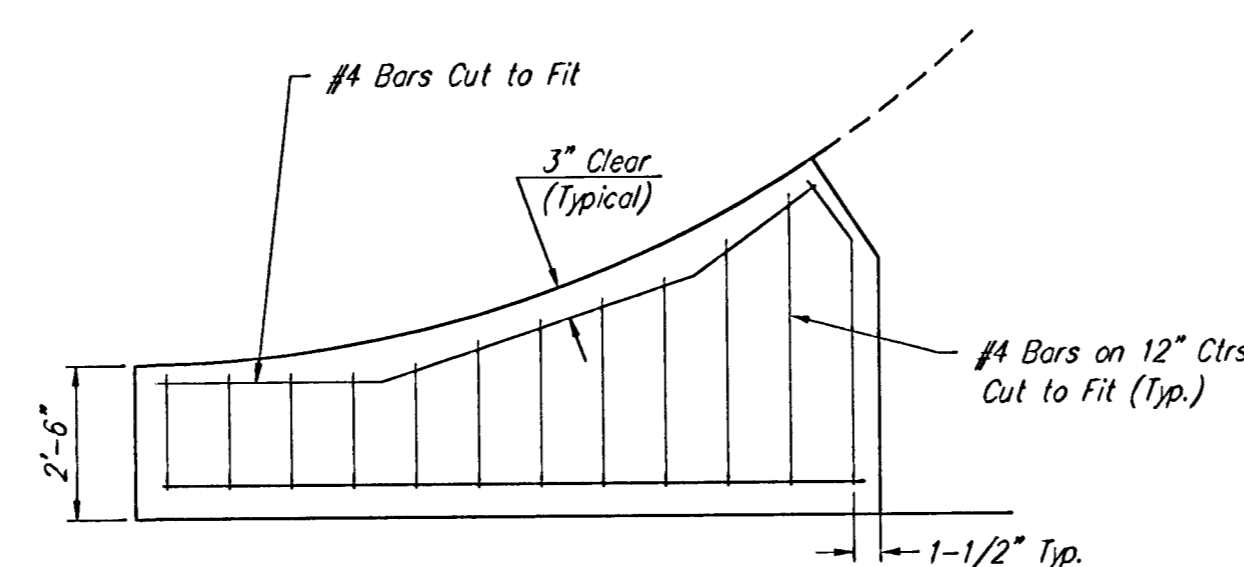


DEPRESSED CURB DETAIL

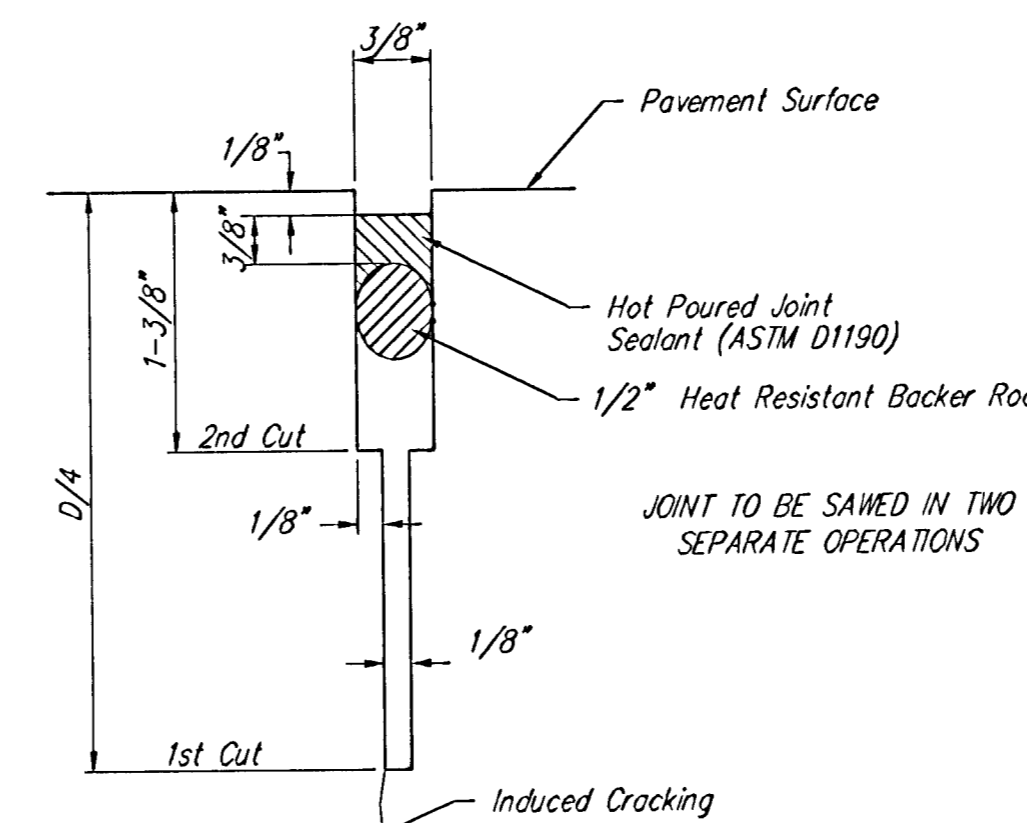
WHEELCHAIR RAMP DETAIL



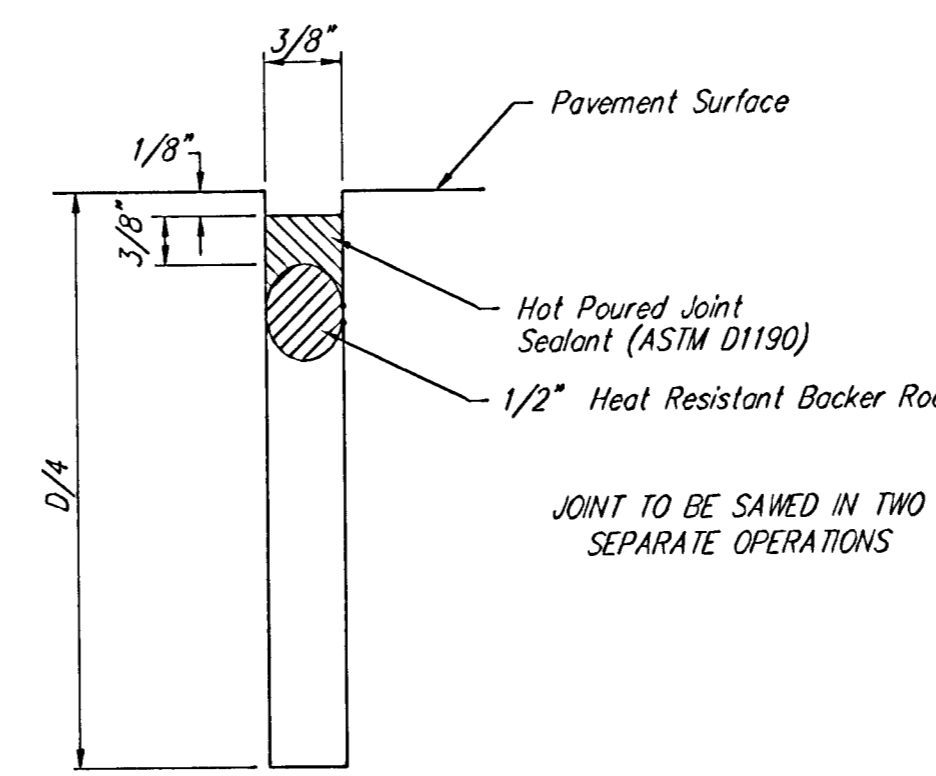
OPTIONAL CONTRACTION JOINT (CONSTRUCTION JOINT)



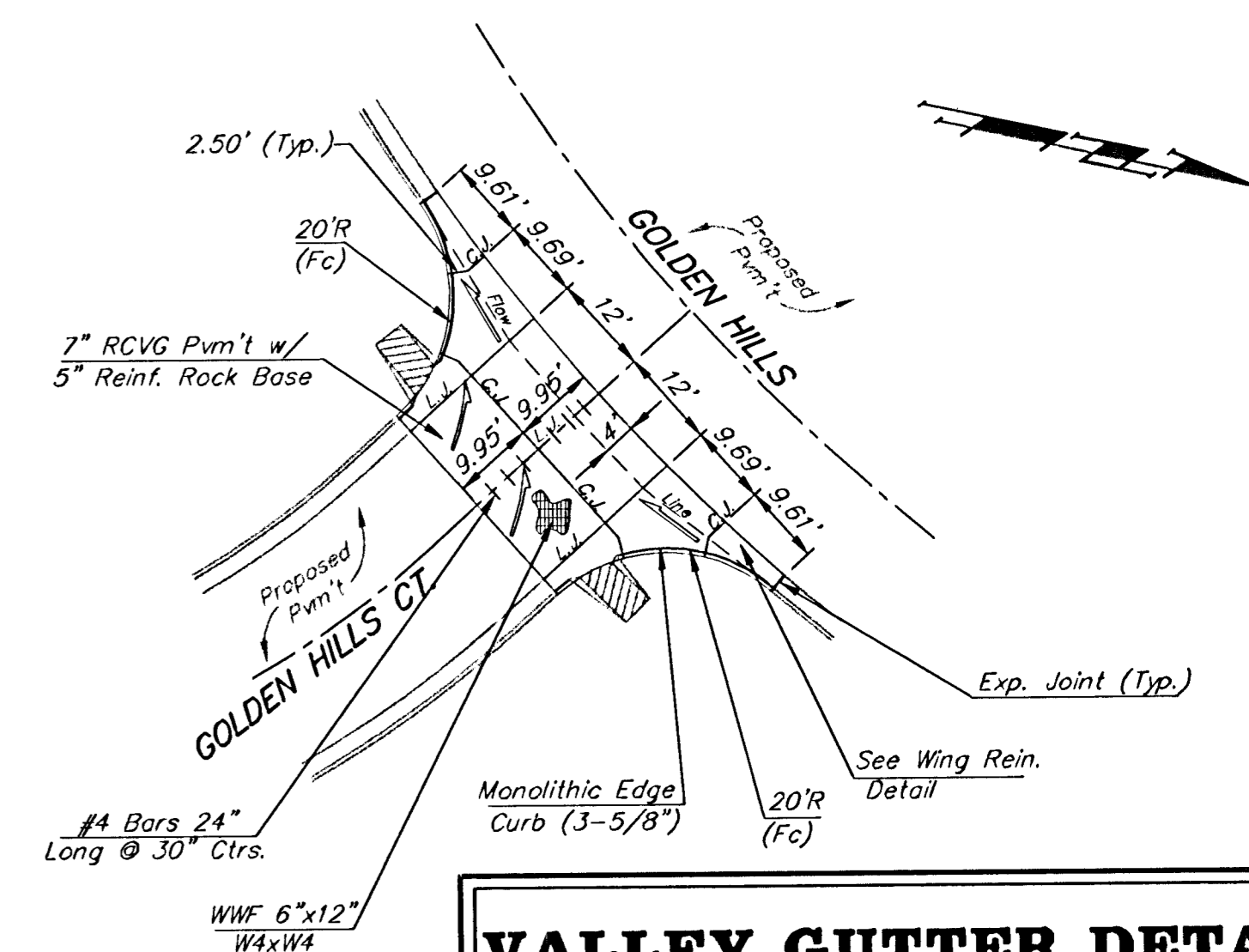
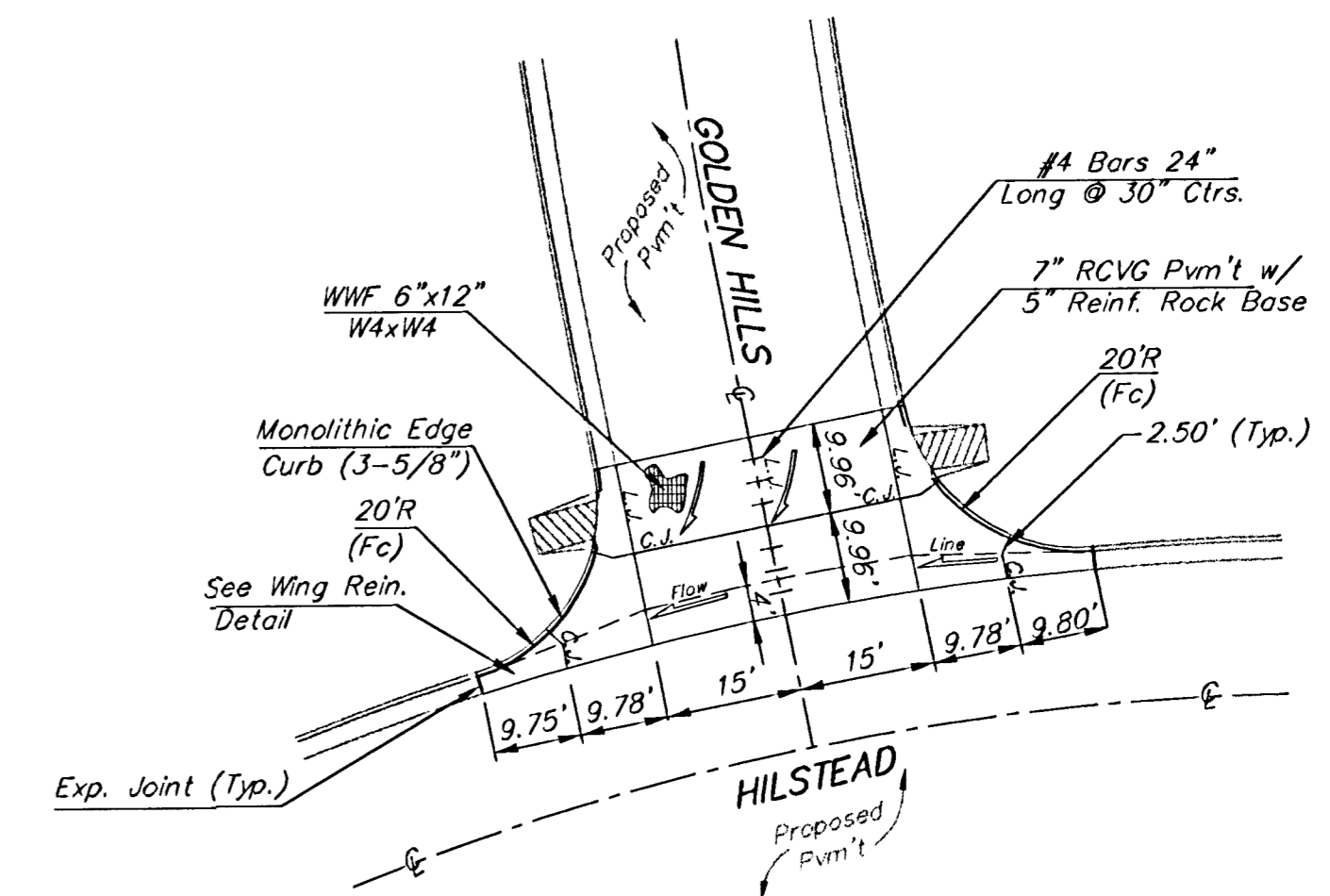
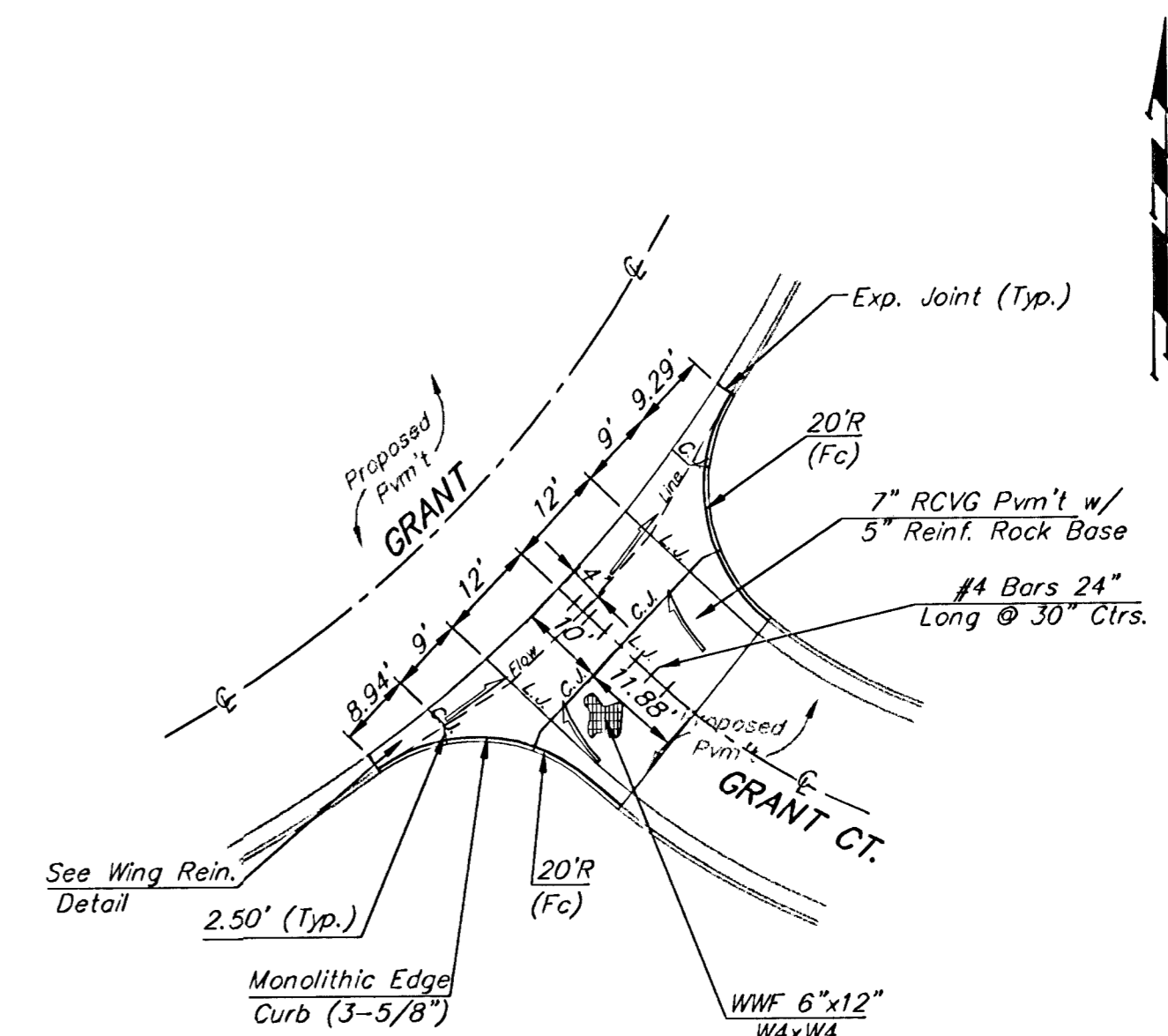
WING REINFORCING DETAIL



SAW JOINT DETAIL "A"



SAW JOINT DETAIL "B"



NOTE: 6" X 12" W4XW4 Wire Fabric Reinforcing Shall Be Placed So That The Wires With The 6" Spacing Will Run Parallel With The Longitudinal Joints.

VALLEY GUTTER DETAILS

BAUGHMAN COMPANY P.A.
ENGINEERING, SURVEYING, & PLANNING
316-262-7271 • 315 ELLIS • WICHITA, KANSAS 67211

PROJECT NUMBER 472-83384		SHEET 5	
DESIGN STAFF	DRAWN STAFF	APPROVED	DATE 8/21/02
		SCALE NONE	OF 43