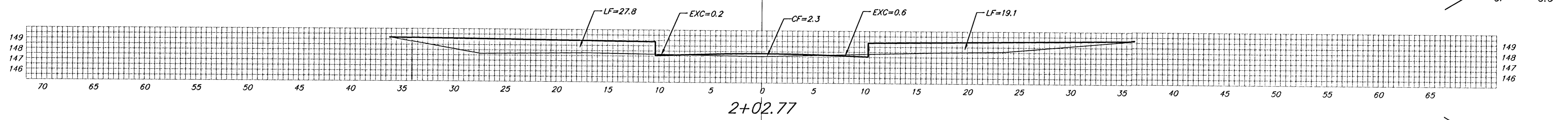
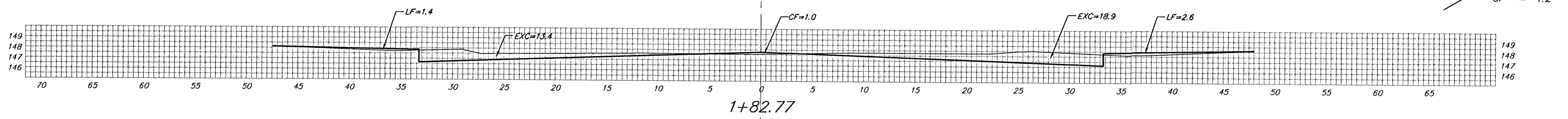


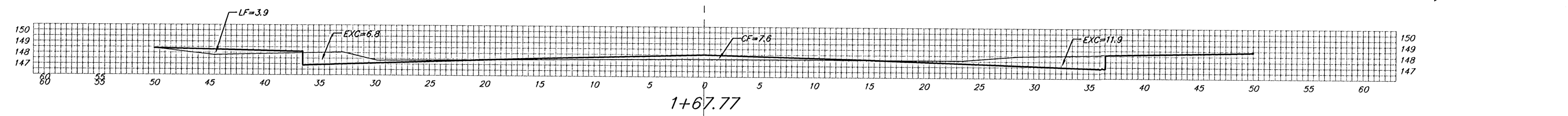
15'  $\left\{ \begin{array}{l} EXC = 0.2 \\ LF = 17.0 \\ CF = 0.6 \end{array} \right.$



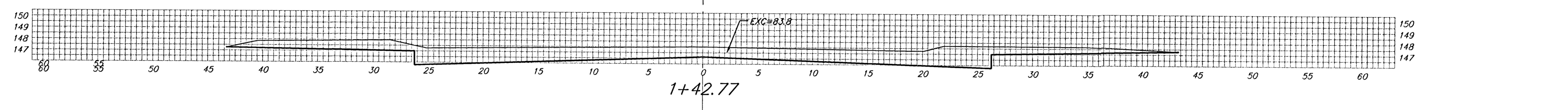
20'  $\left\{ \begin{array}{l} EXC = 12.3 \\ LF = 18.9 \\ CF = 1.2 \end{array} \right.$



15'  $\left\{ \begin{array}{l} EXC = 12.3 \\ LF = 2.2 \\ CF = 2.4 \end{array} \right.$



25'  $\left\{ \begin{array}{l} EXC = 47.5 \\ LF = 1.8 \\ CF = 3.5 \end{array} \right.$



25'  $\left\{ \begin{array}{l} EXC = 45.2 \\ LF = 5.5 \\ CF = 0.0 \end{array} \right.$

GRANT CT (Lots: 8-14)

Sheet Totals:  
 Excavation = 117.5 C.Y.  
 Loose Fill = 45.4 C.Y.  
 Compacted Fill = 7.7 C.Y.

	<b>BAUGHMAN COMPANY P.A.</b> ENGINEERING, SURVEYING, & PLANNING <small>318-262-7271 • 315 ELLIS • WICHITA, KANSAS 67211</small>	REV.
	PROJECT NUMBER <b>472-83384</b>	SHEET <b>38</b> OF <b>43</b>