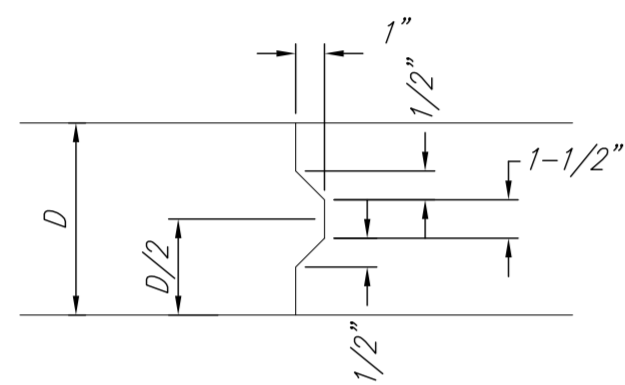
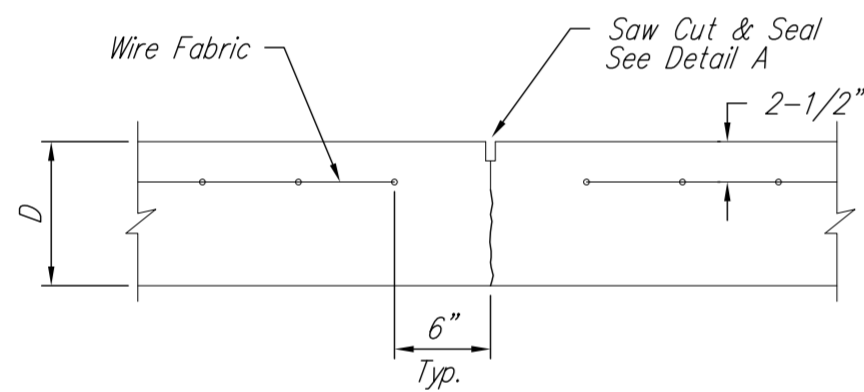


EXPANSION JOINT

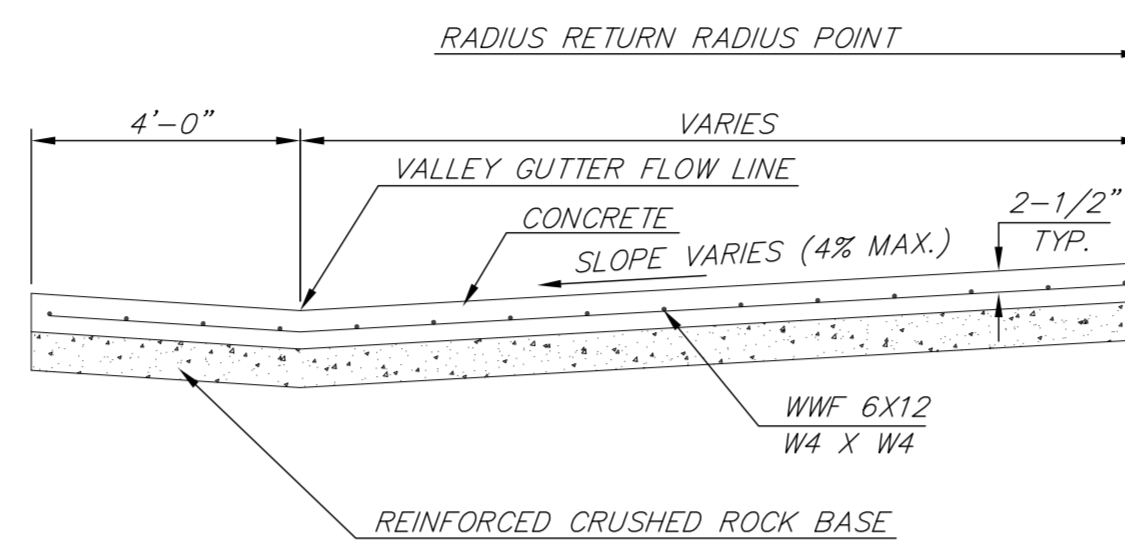
NOTE: Extra Thickness to be Subsidiary to Price of Square Yards Pavement



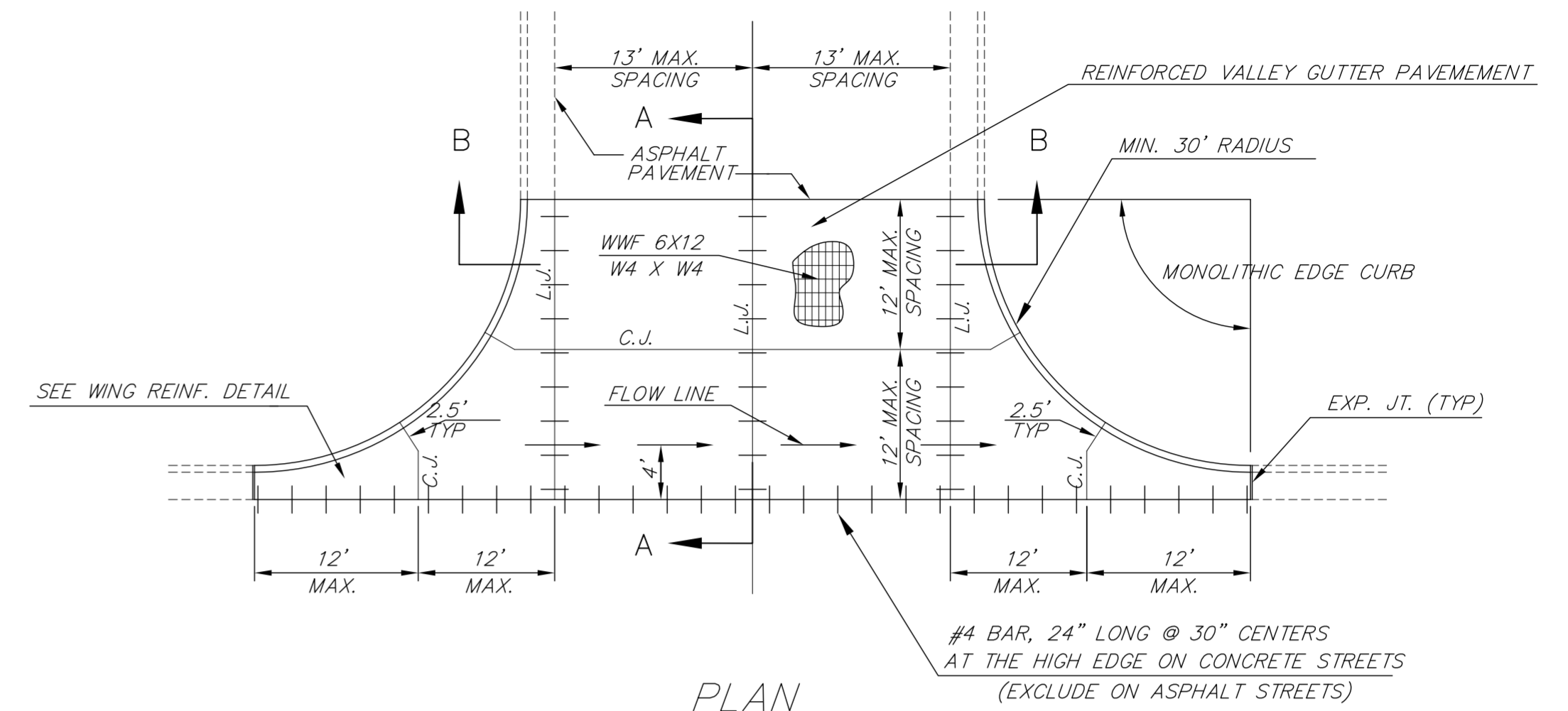
KEYWAY DETAIL



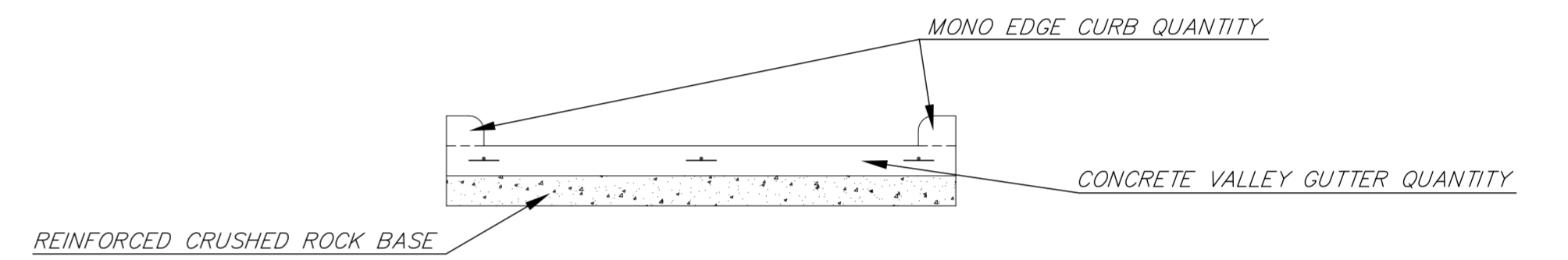
CONTRACTION JOINT DETAIL (C.J.)



SECTION A-A

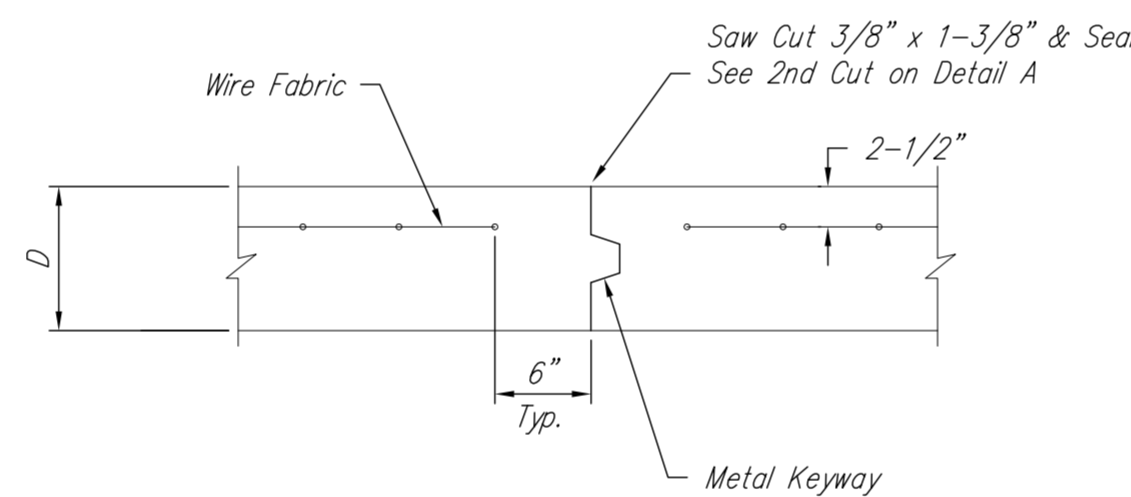


PLAN

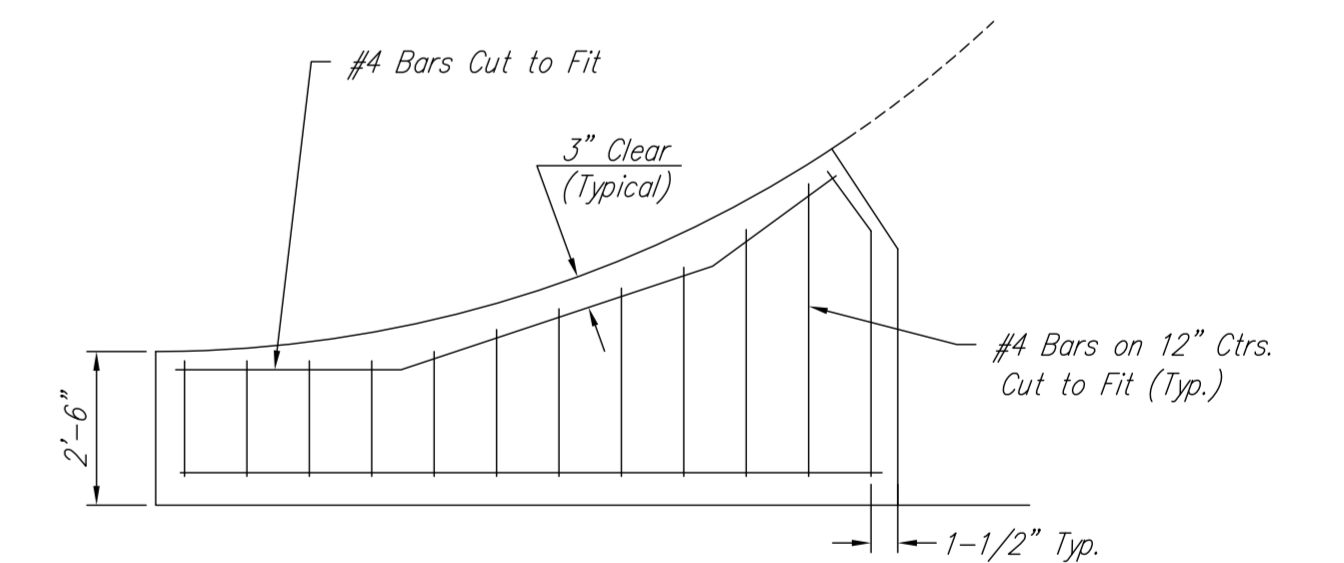


SECTION B-B

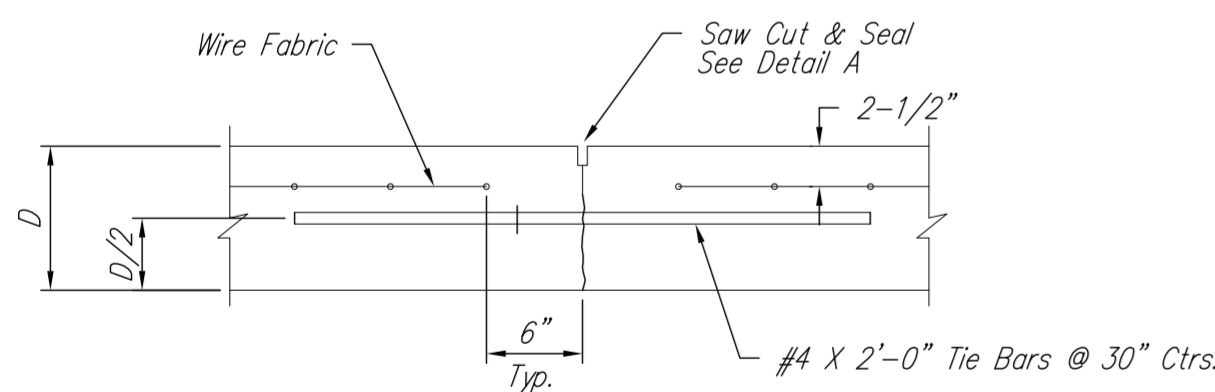
REINFORCED VALLEY GUTTER DETAIL



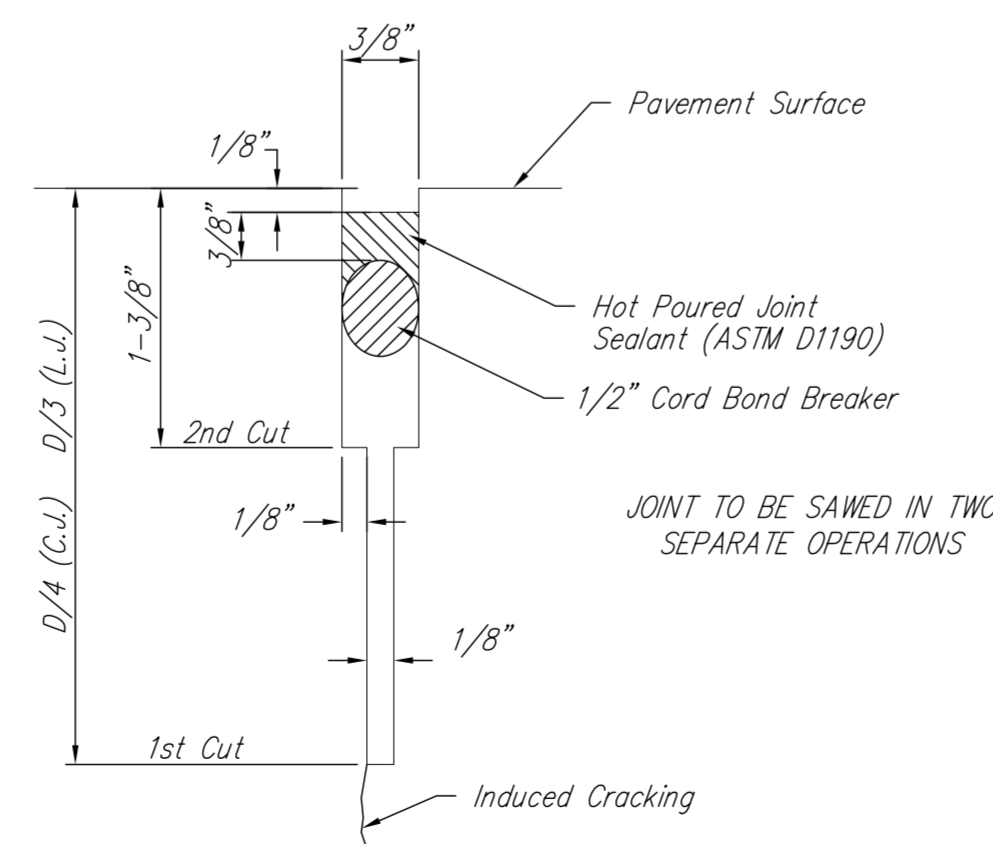
OPTIONAL CONTRACTION JOINT



WING REINFORCING DETAIL

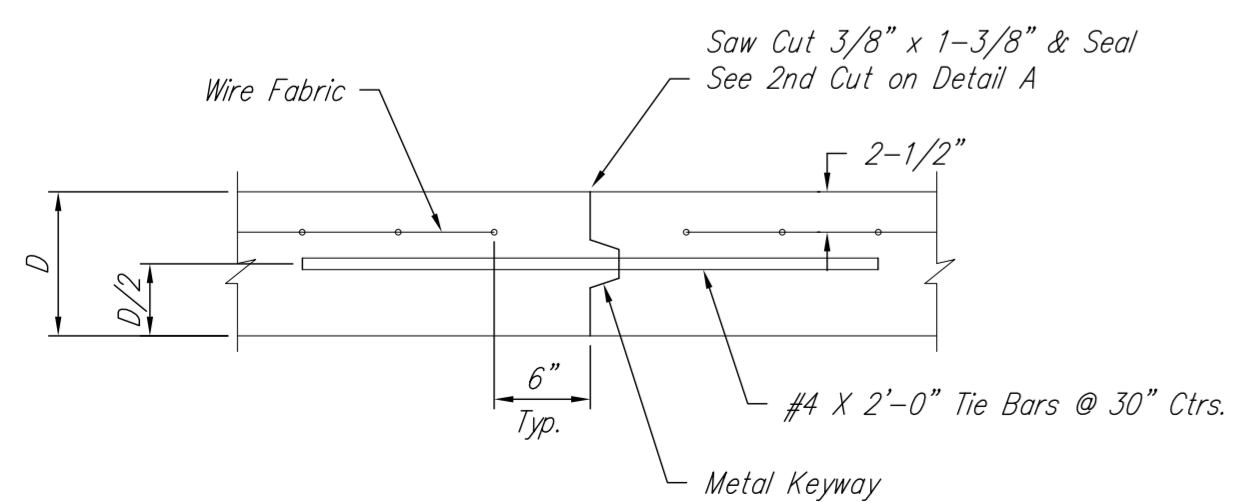


LONGITUDINAL JOINT DETAIL (L.J.)



SAW JOINT DETAIL (DETAIL A)

JOINT TO BE SAWED IN TWO SEPARATE OPERATIONS



OPTIONAL LONGITUDINAL JOINT DETAIL (L.J.)

REVISED: NOVEMBER 2015

CITY OF WICHITA
PUBLIC WORKS & UTILITIES ENGINEERING DIVISION

| VALLEY GUTTER DETAILS | | |
|--|------------|-------------------------|
| CITY ENGINEER GARY JANZEN, P.E. | | |
| PROJECT NUMBER | OCA NUMBER | DATE |
| CITY ENGINEER'S OFFICE CITY HALL - SEVENTH FLOOR 455 NORTH MAIN STREET WICHITA, KANSAS 67202-1620 (316) 268-4501 | | SHEET 4 of 19 |