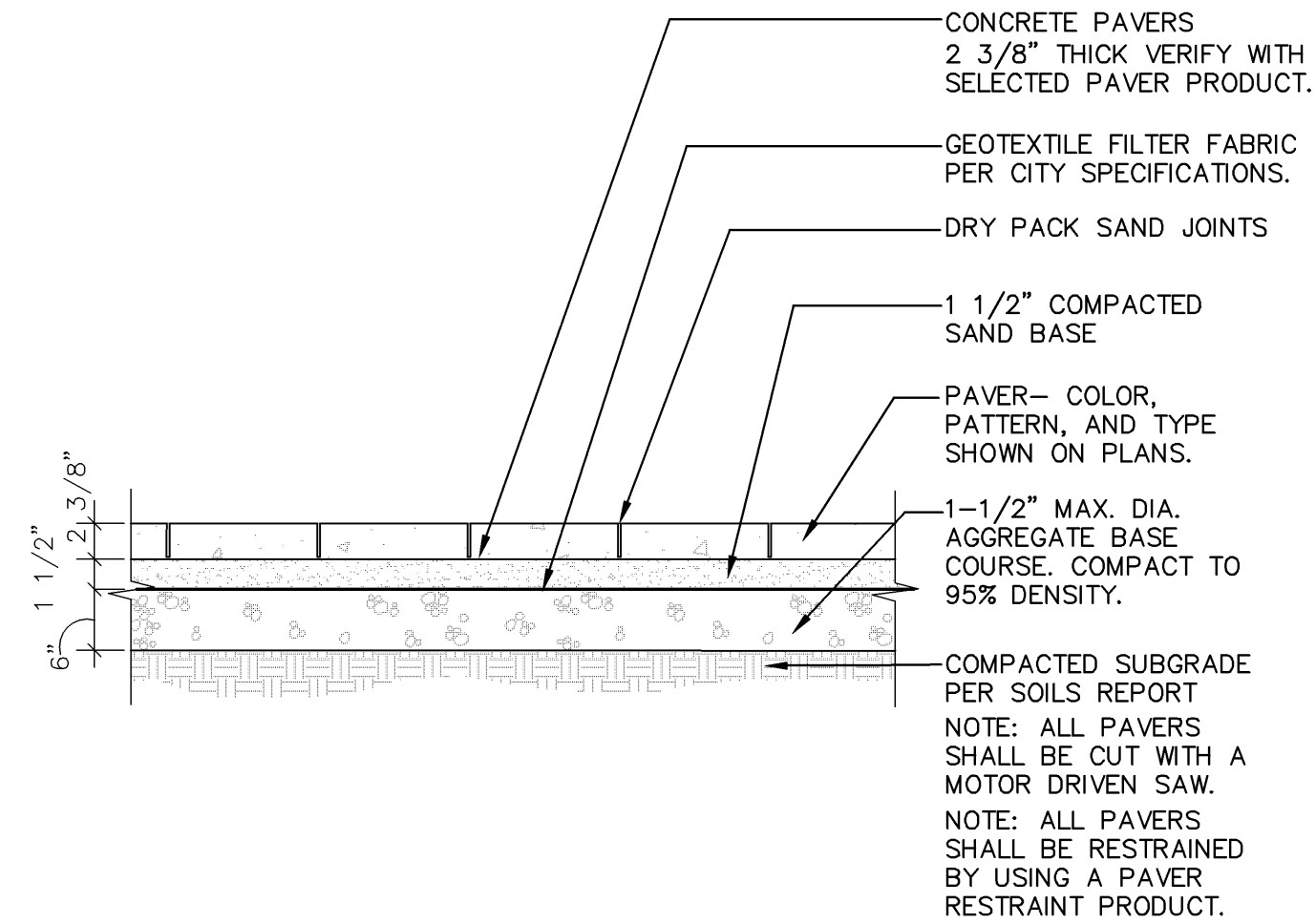


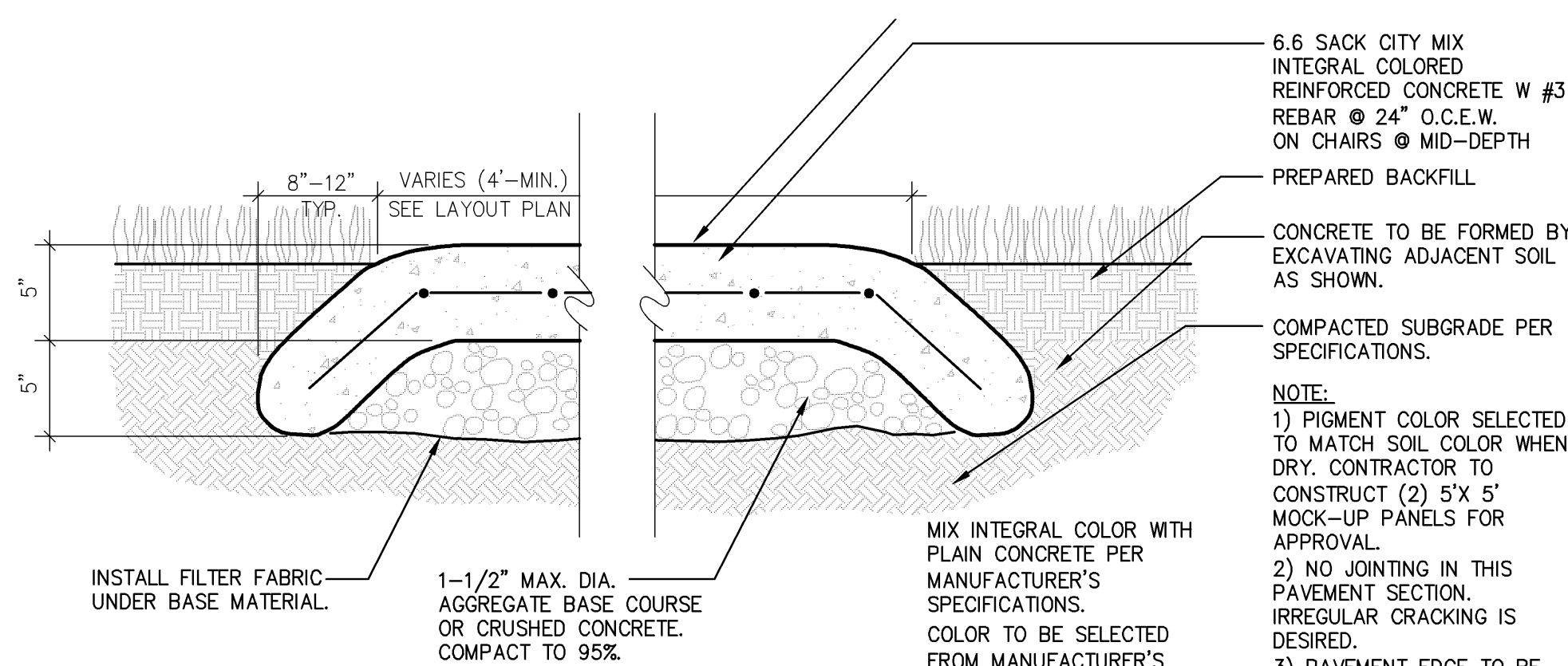
1 PLAIN SIDEWALK PAVING

1 1/2" = 1'-0"



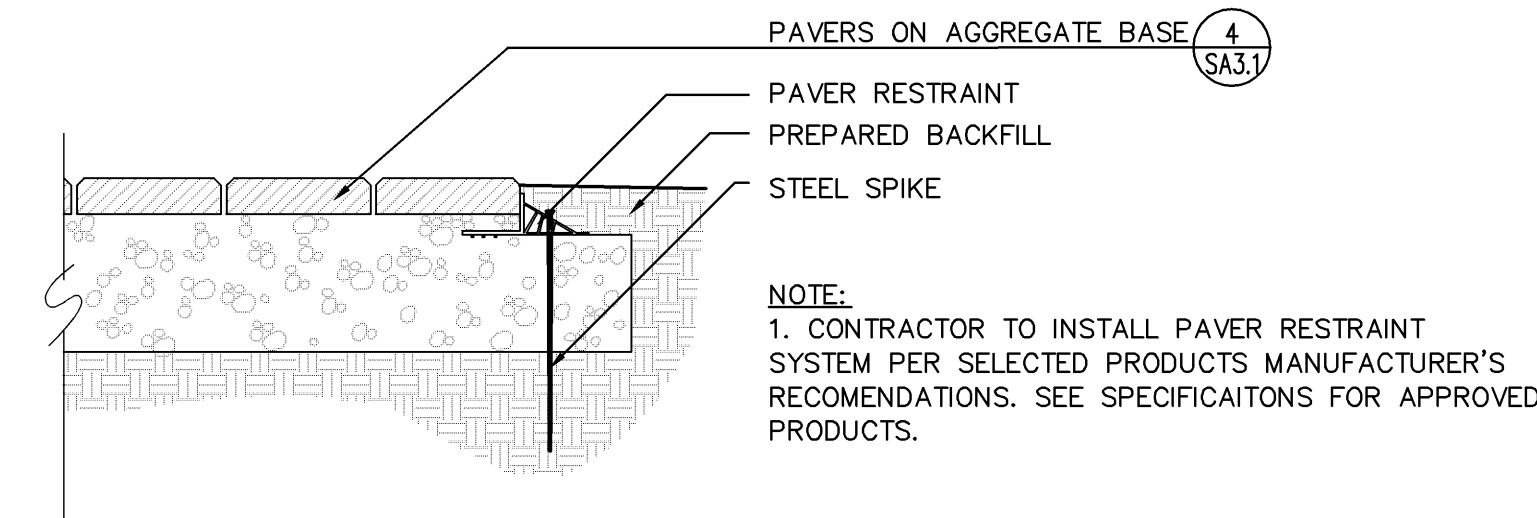
4 CONCRETE PAVERS

1" = 1'-0"



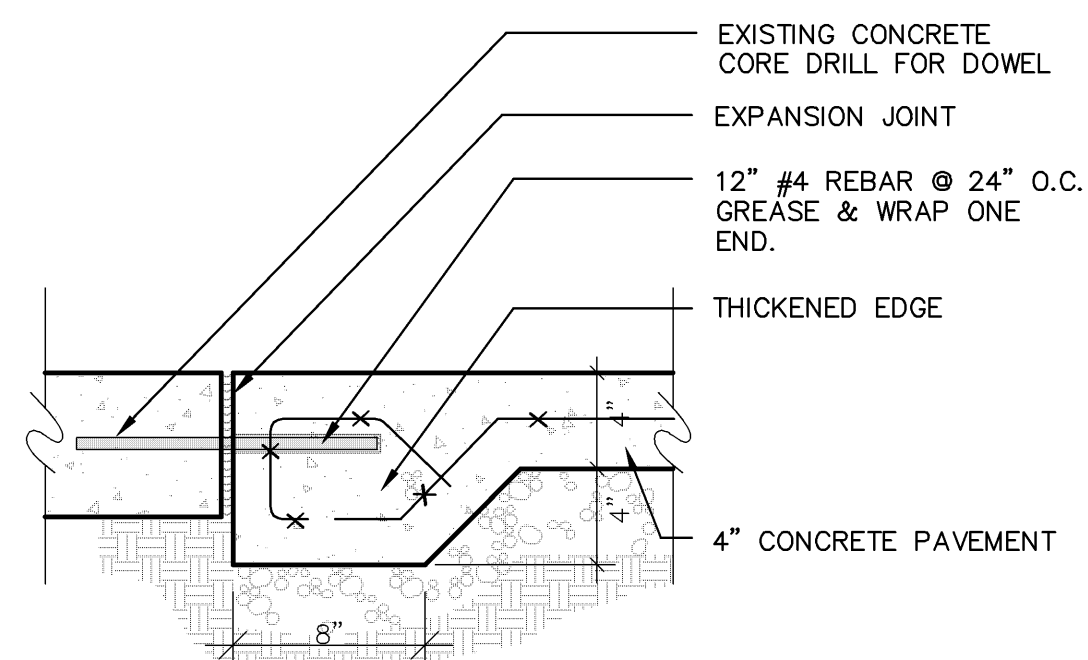
2 COLORED CONCRETE PAVING

1 1/2" = 1'-0"



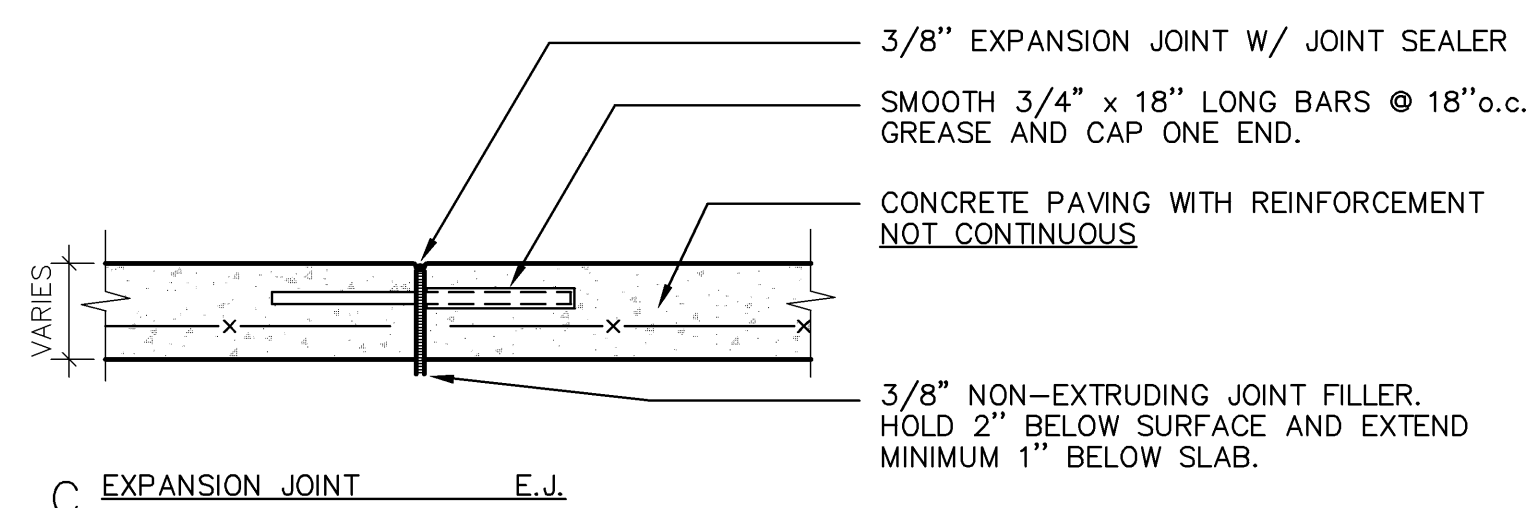
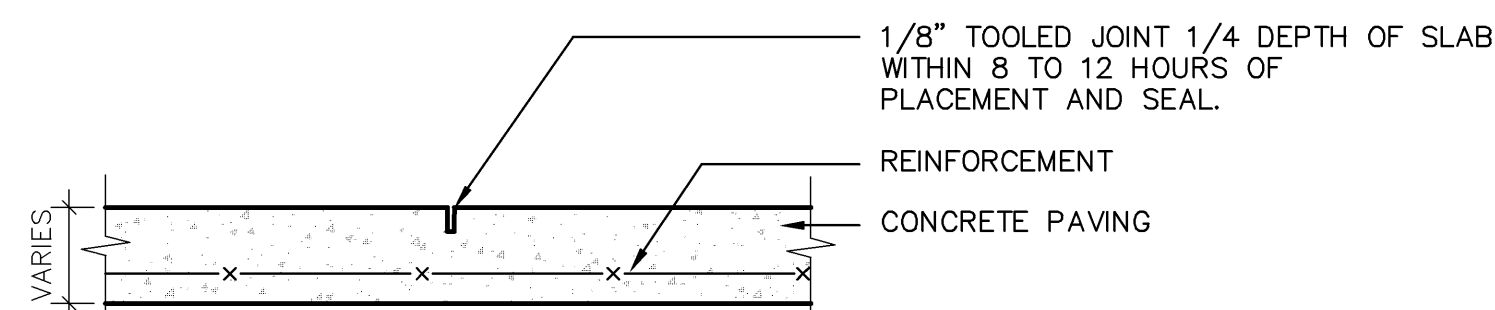
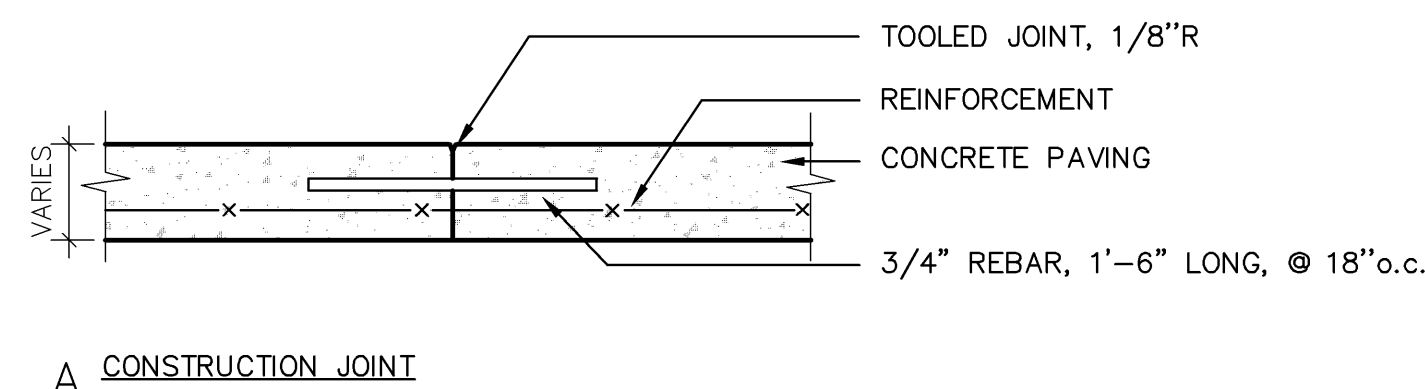
5 PAVER EDGE RESTRAINT

1 1/2" = 1'-0"



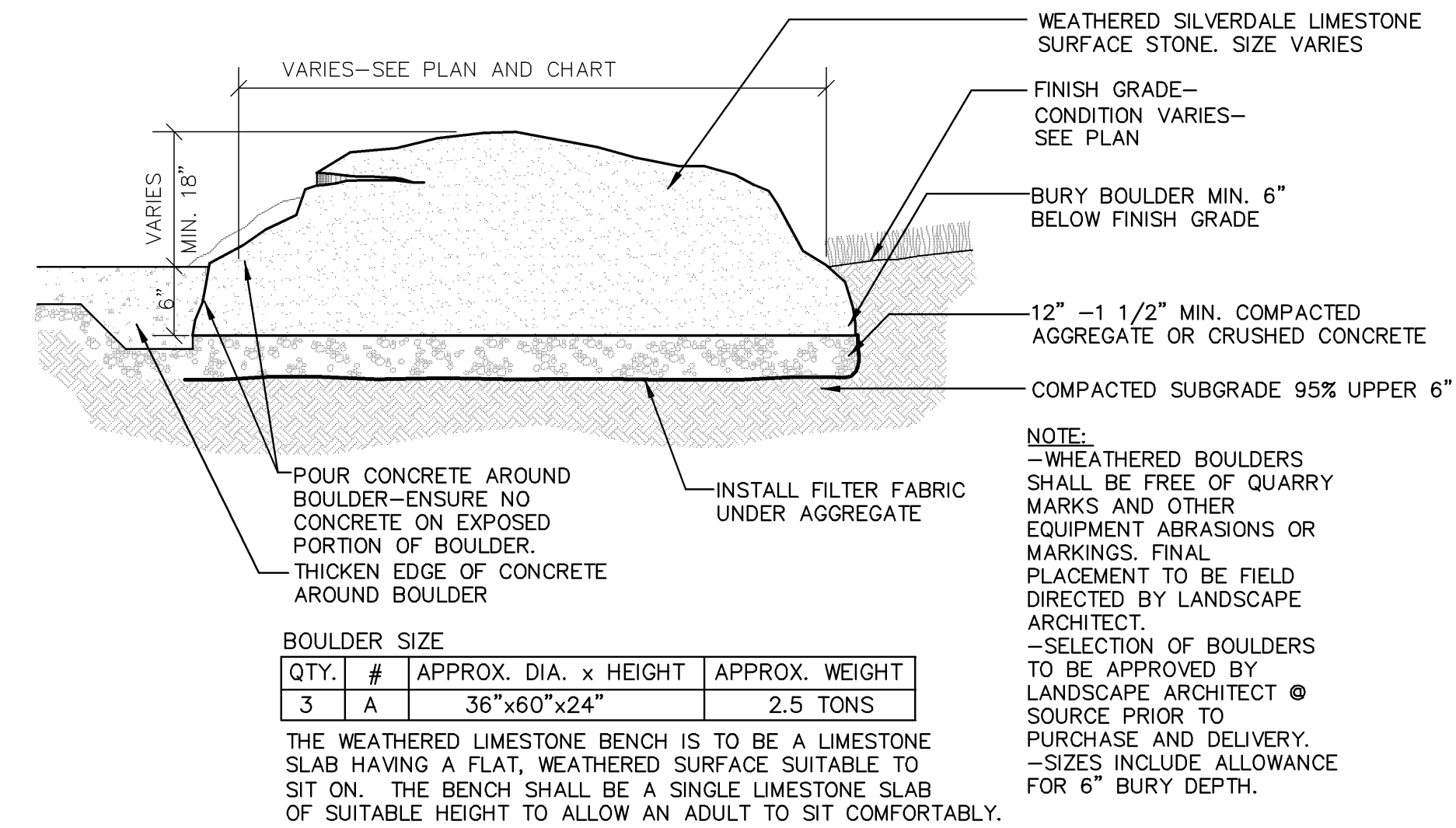
3 CONCRETE PAVING INTERFACE

1 1/2" = 1'-0"



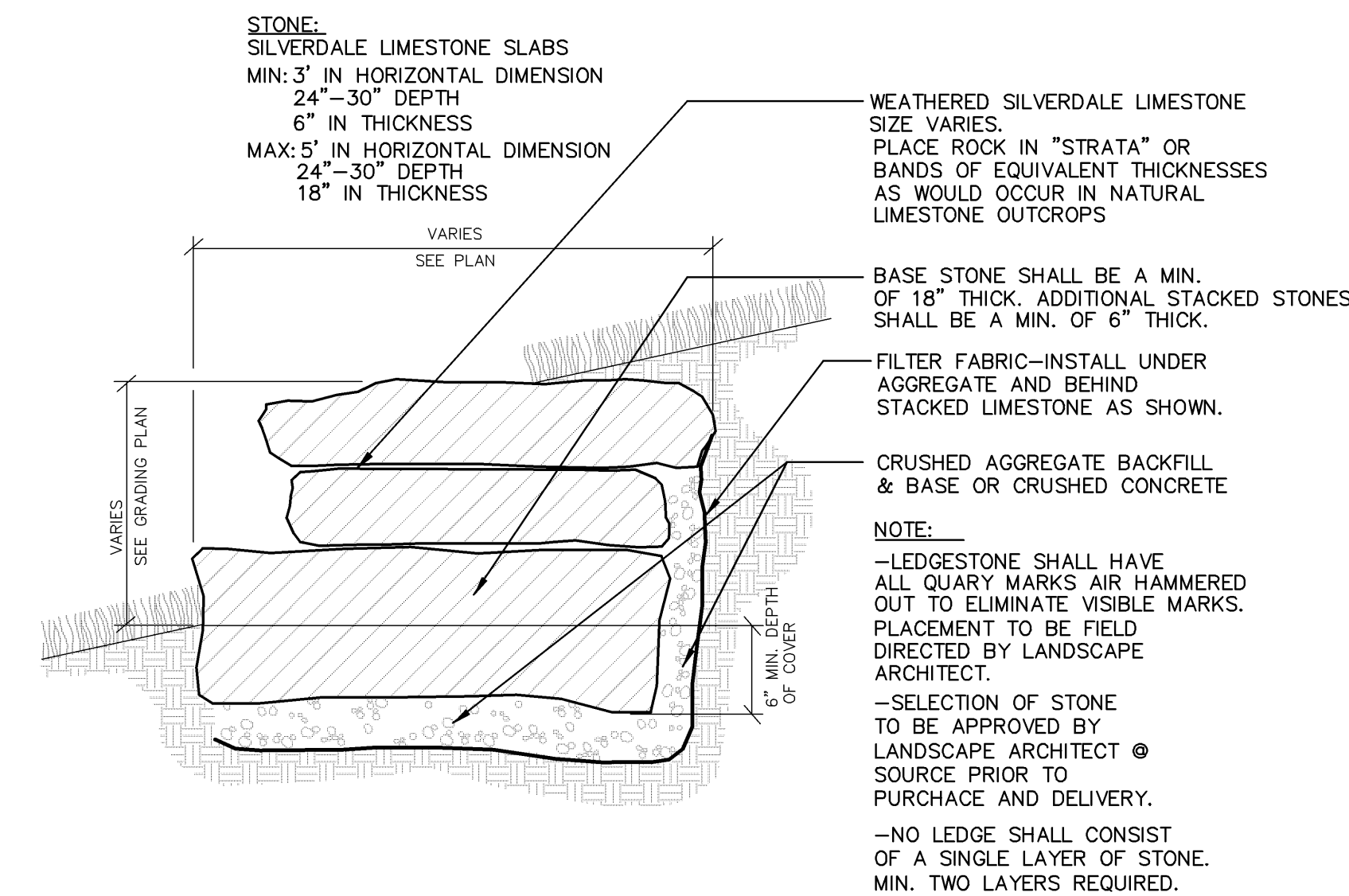
6 CONCRETE JOINTS

1" = 1'-0"



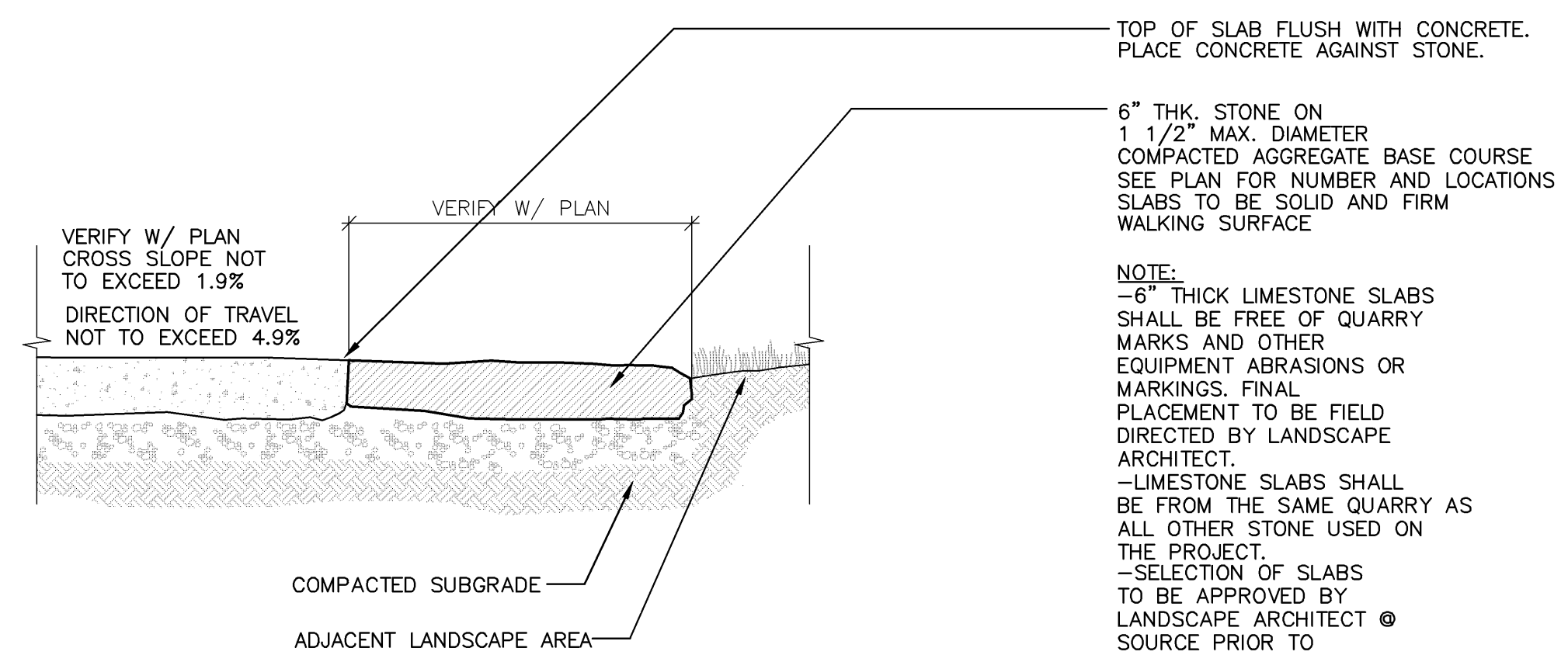
7 WEATHERED LIMESTONE BENCH

3/4" = 1'-0"



8 STACKED LIMESTONE

1" = 1'-0"



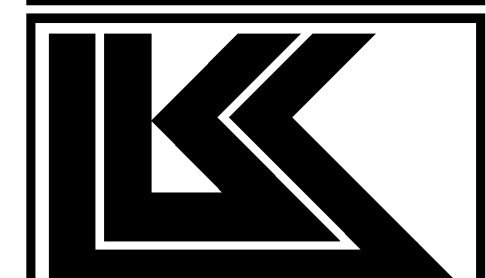
9 LIMESTONE STEP STONES

3/4" = 1'-0"

FHWA REGION NO.	STATE	PROJECT NUMBER	FISCAL YEAR	SHEET NUMBER	TOTAL SHEETS
7	KANSAS	TE-0254-01	2005	11	21

FED. AID NO.

PRINTS ISSUED		
DATE	ITEM	NO.
1/10/05	FIELD CHECK SET	
6/13/05	OFFICE CHECK SET	
9/29/05	REVISED OFFICE CHECK	
11/29/05	FINAL PLANS	
1/22/07	FOR CONSTRUCTION	



LAW/KINGDON, INC.
ARCHITECTS ENGINEERS PLANNERS
LANDSCAPE ARCHITECTS
345 RIVERVIEW #200, WICHITA, KS 67203
Phone (316) 268-0230 Fax (316) 268-0205
Copyright © 2007

DRAWN		CHECKED	
JAB		JAB	

K-96 TRAILHEAD LANDSCAPE PROJECT
WICHITA, KANSAS
GROVE PARK

PROJECT NUMBER 044150

SITE DETAILS

SHEET TITLE
SHEET NUMBER

SA3.1
OF 2 SHEETS