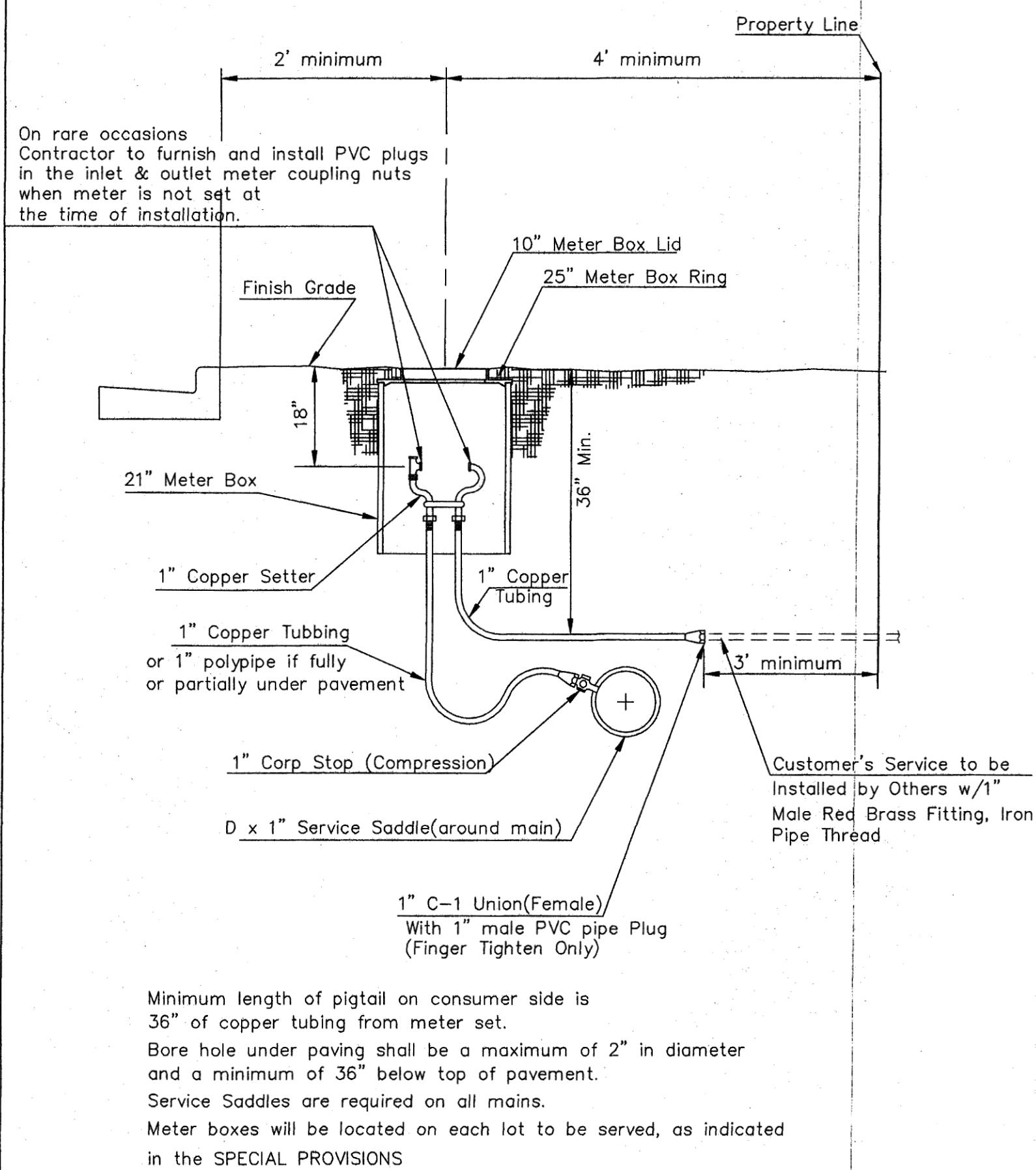
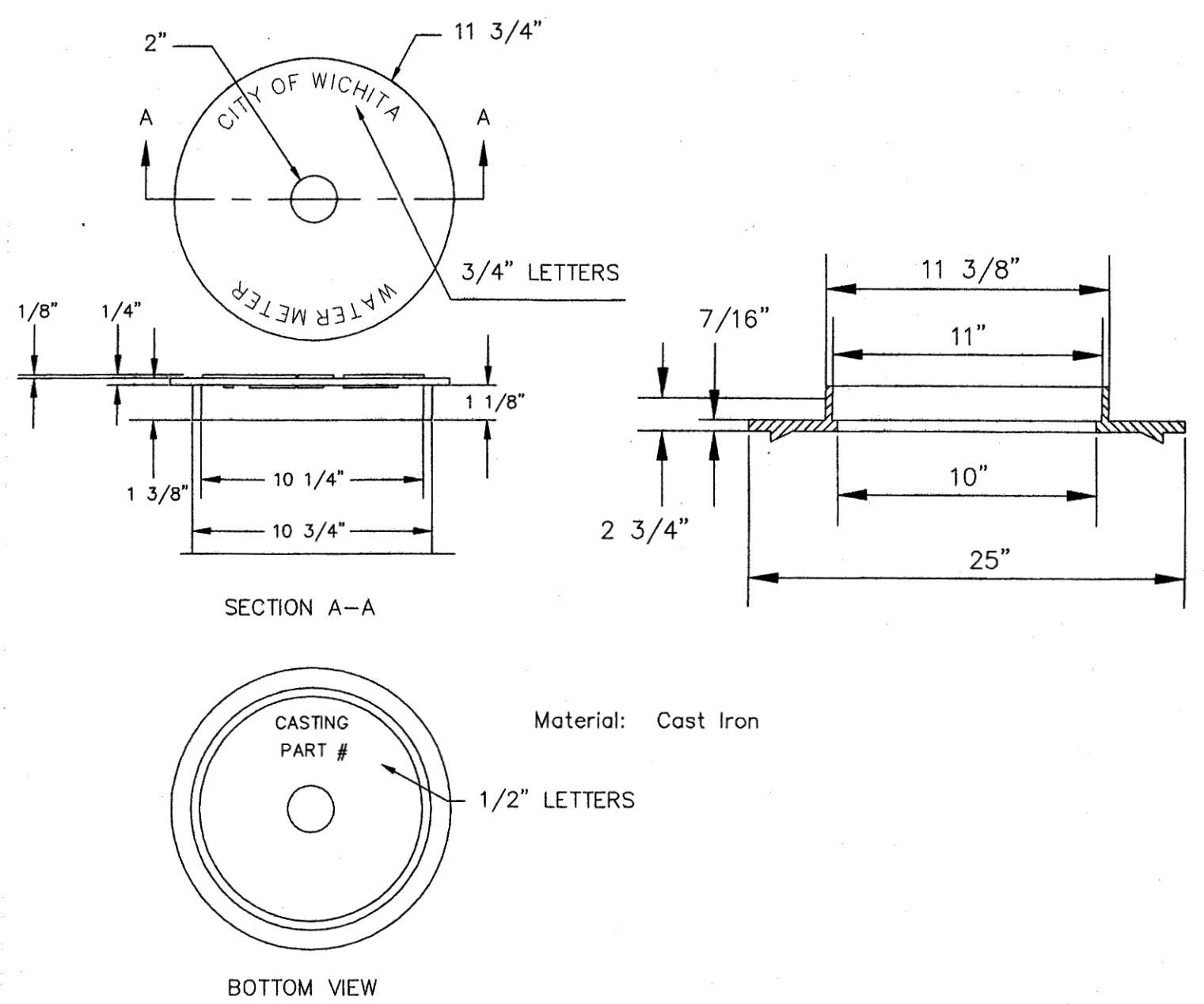
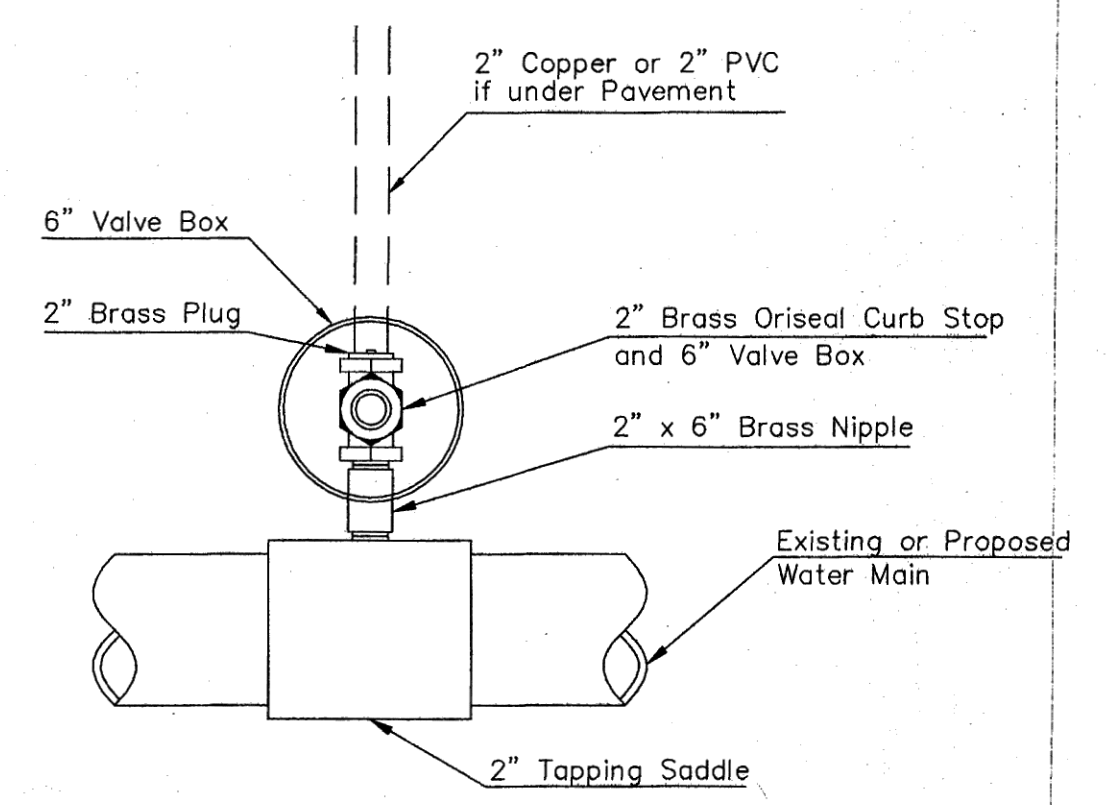


J:\PROJECTS\2015\1501040177 - COM - 11TH STREET REHAB - 150117 CAD\SHS\2015 CIVIL\WTR\1577C02.DWG  
 PLOTTED: Wednesday, May 03, 2017 8:11:28AM



TYPICAL 1" METER SETTING

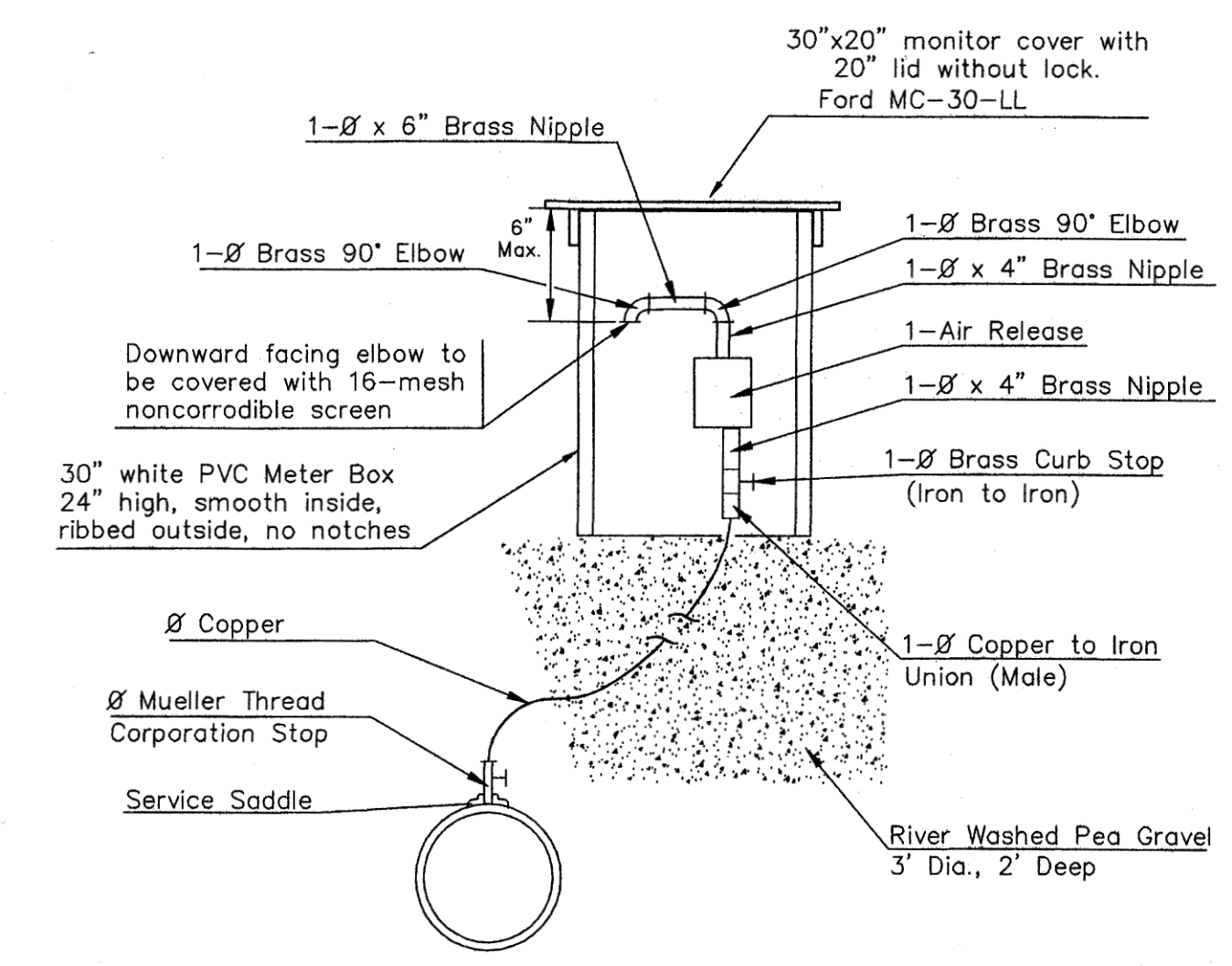
2" SERVICE OUTLET ASSEMBLY  
TOP VIEW



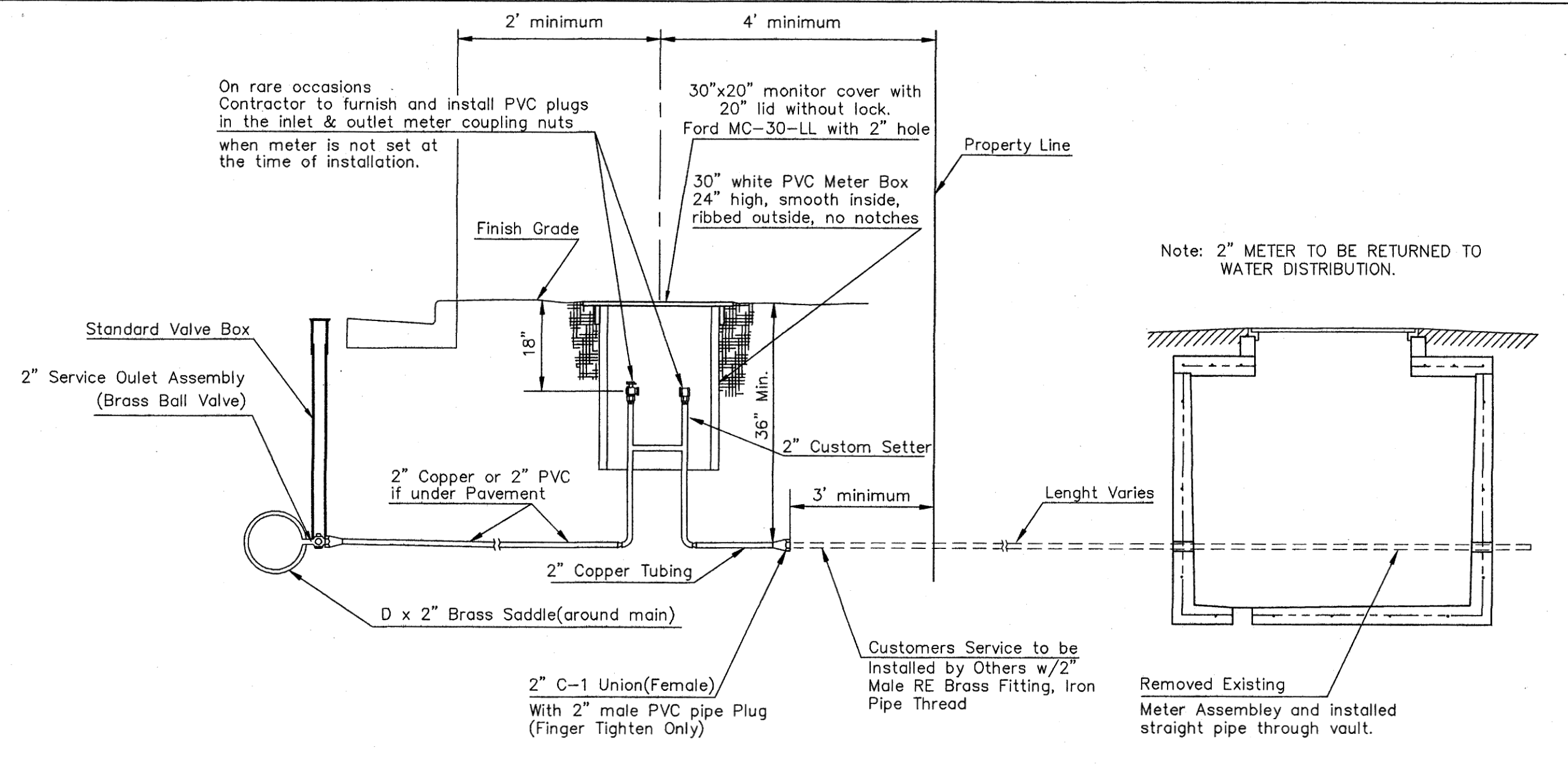
NOT TRAFFIC RATED  
RING & LID FOR 1" METER BOX

- NOTE:
- 1 -  $\emptyset$  Mueller Thread Corporation Stop
  - 1 -  $\emptyset$  Type "K" Copper Tubing
  - 1 -  $\emptyset$  Copper to Iron Union (Male)
  - 1 -  $\emptyset$  Brass Curb Stop (Iron to Iron)
  - 2 -  $\emptyset$ x4" Brass Nipple
  - Air Release
  - 2 -  $\emptyset$  Brass Elbows (90°)
  - 1 - 1"x6" Brass Nipple
  - 1 - 30" Monitor Cover
  - 1 - 20" Meter Lid

THE 1 1/2" AIR RELEASE ASSEMBLY WILL TYPICALLY BE USED ON WATER MAINS 24" AND SMALLER, AS SPECIFICALLY DESIGNATED IN THE PLANS. COMBINATION AIR RELAEASE ASSEMBLIES WILL BE SPECIFICALLY DESIGNED FOR PROJECTS WITH LARGER MAINS, AND WILL BE INCLUDED IN THE PLANS.



MATERIALS FOR 1" or 2" AIR RELEASE ASSEMBLY  
 $\emptyset = 1" \text{ or } 2"$

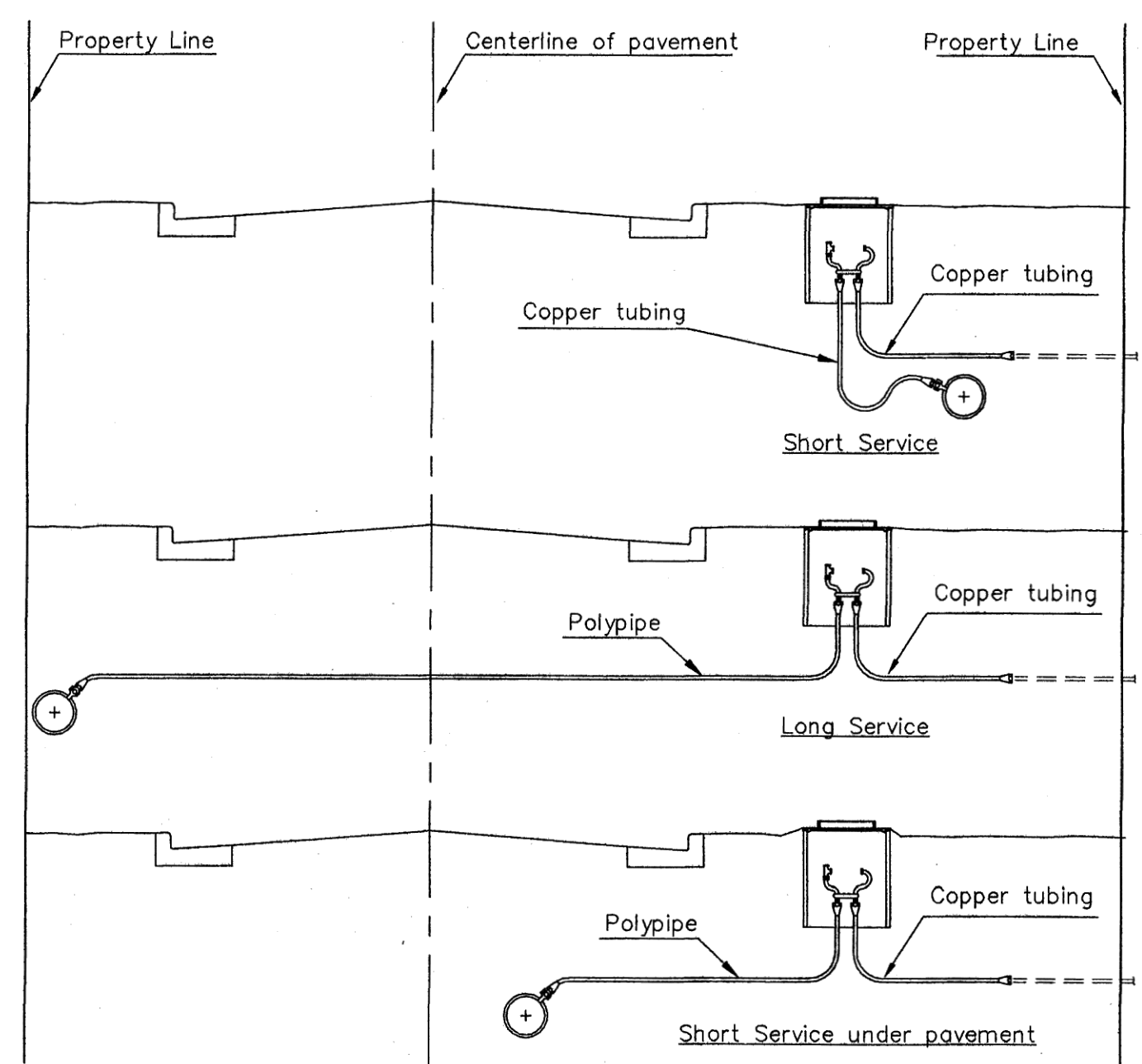


TYPICAL 2" METER SETTING

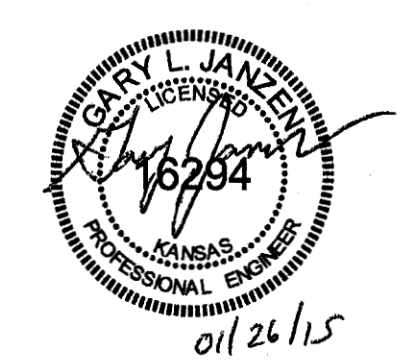
Note: ONE VALVE STEM EXTENSION FOR EACH VALVE BURIED GREATER THAN 5'.

TYPICAL 2" METER SETTING INVOLVING EXISTING 2" METER VAULT

Note: ONE VALVE STEM EXTENSION FOR EACH VALVE BURIED GREATER THAN 5'.



SERVICE TYPES



STANDARD WATER SERVICE DETAIL		
CITY ENGINEER <b>GARY JANZEN, P.E.</b>		
PROJECT NUMBER 472-85215	OCA NUMBER 707088	DATE 01/2015
CITY ENGINEER'S OFFICE CITY HALL - SEVENTH FLOOR 455 NORTH MAIN STREET WICHITA, KANSAS 67202-1620 (316) 268-4501		SHEET 33 OF 54

REVISED: JANUARY 2015