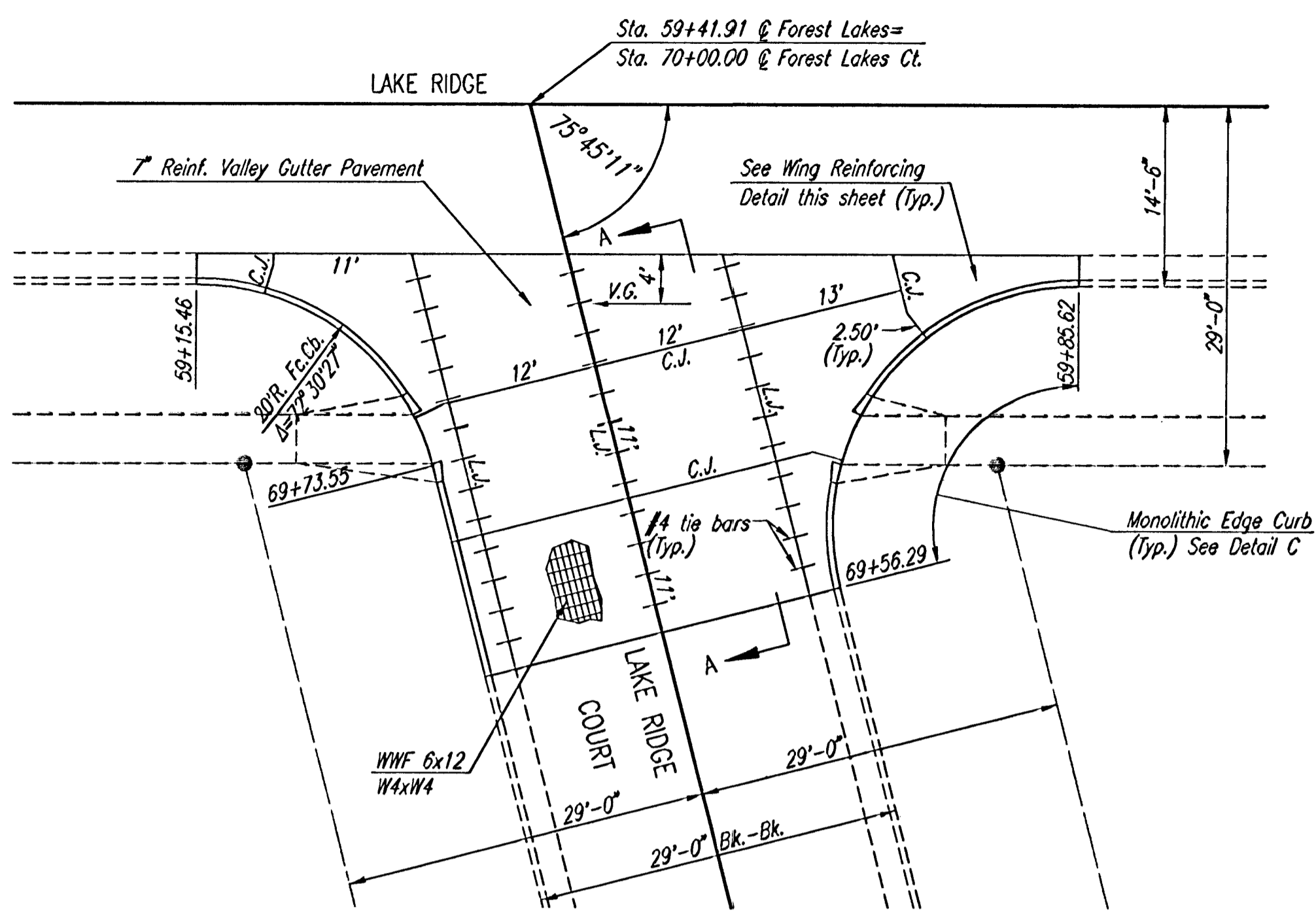
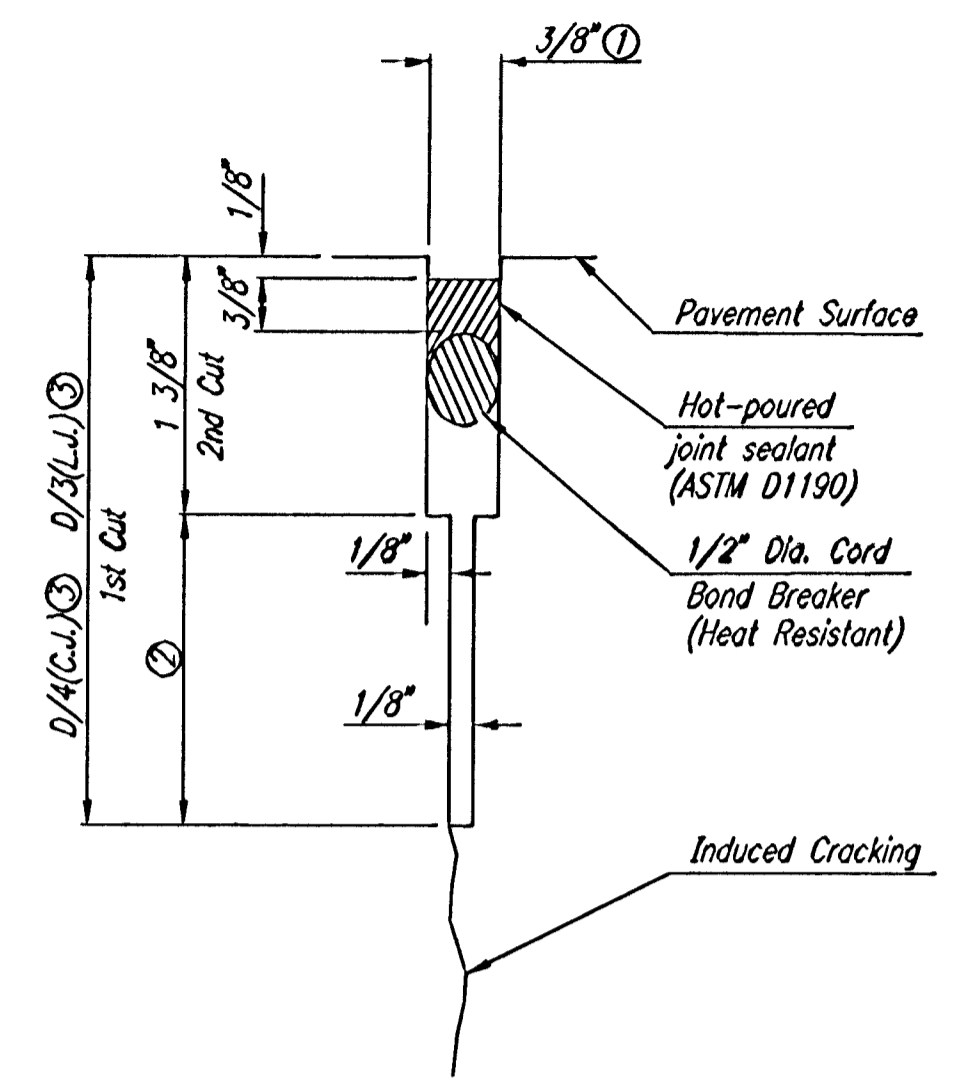


5'x12' W4xW4 WIRE FABRIC REINFORCING SHALL BE PLACED SUCH THAT THE WIRES WITH THE 6" SPACING WILL RUN PARALLEL WITH THE LONGITUDINAL JOINT.

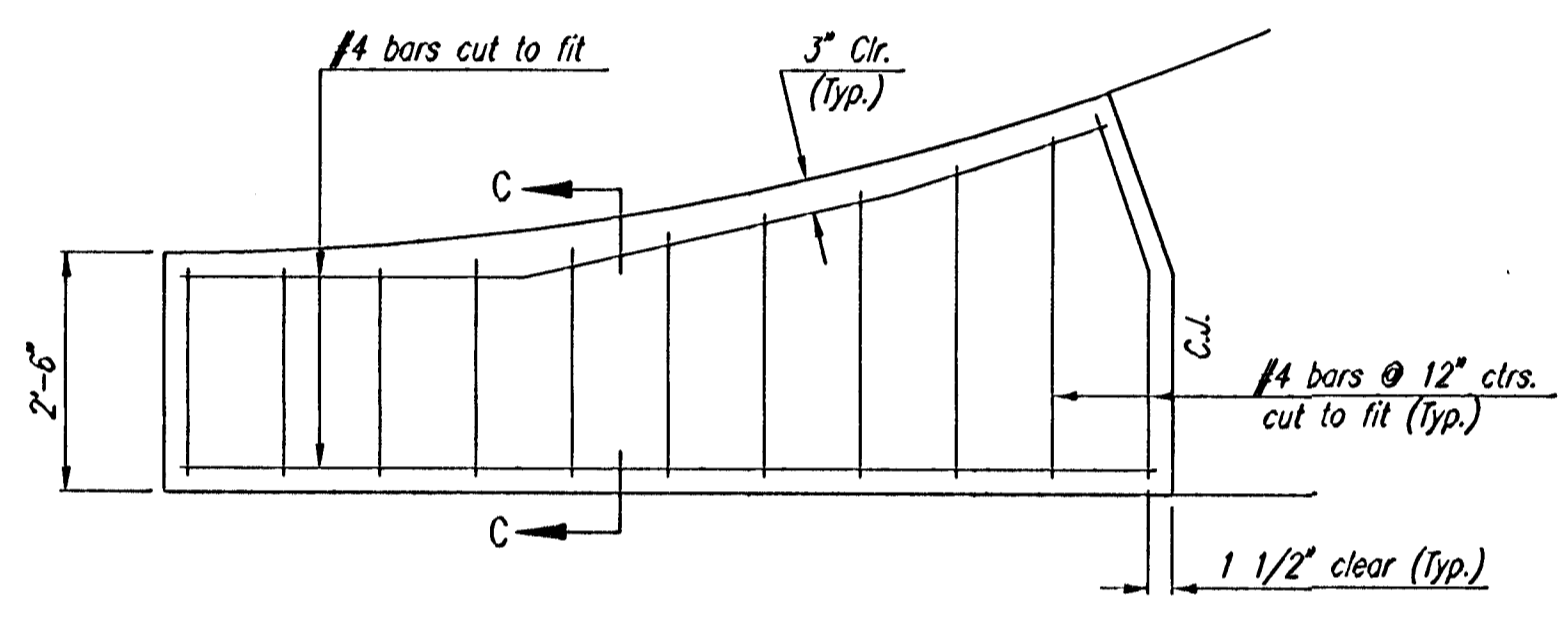


PLAN  
REINFORCED VALLEY GUTTER

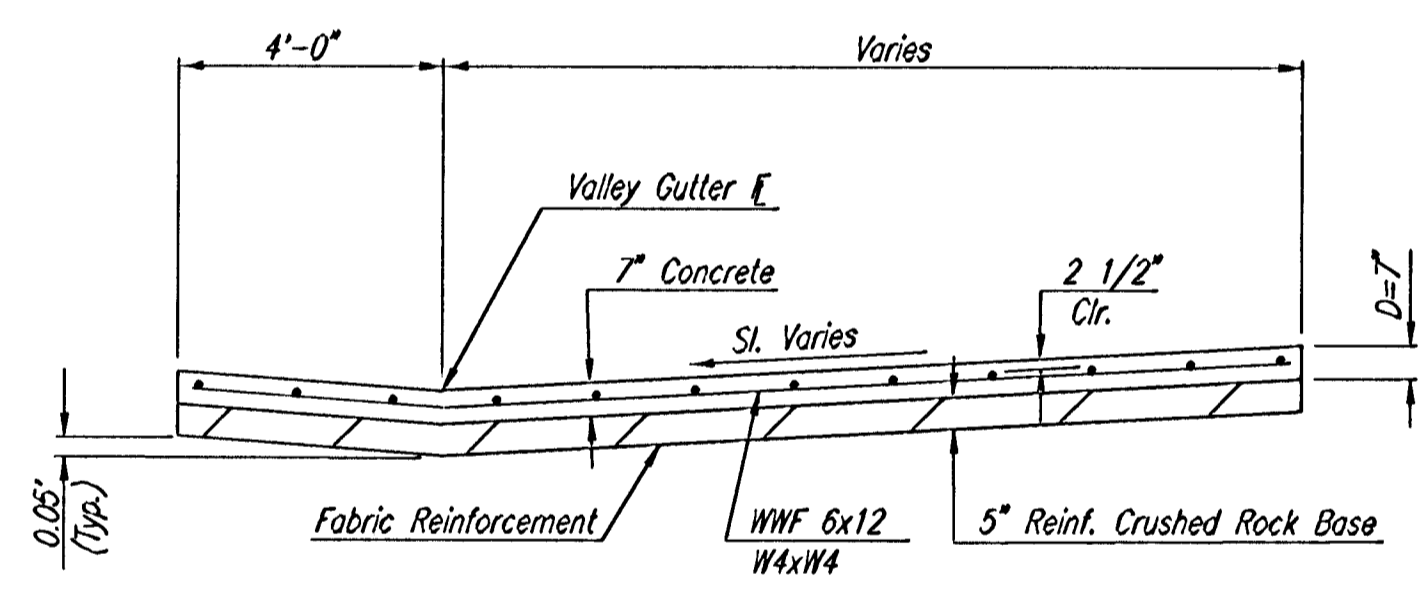


DETAIL A

- ① To be accomplished in 2 cuts for Longitudinal Joints and Contraction Joints. Initial cut to be 1/8" wide.
- ② Eliminate bottom of cut when metal keyway is used as part of Longitudinal or Transverse Construction Joint and at Doweled Construction Joint Locations.
- ③ 1 1/2" Minimum

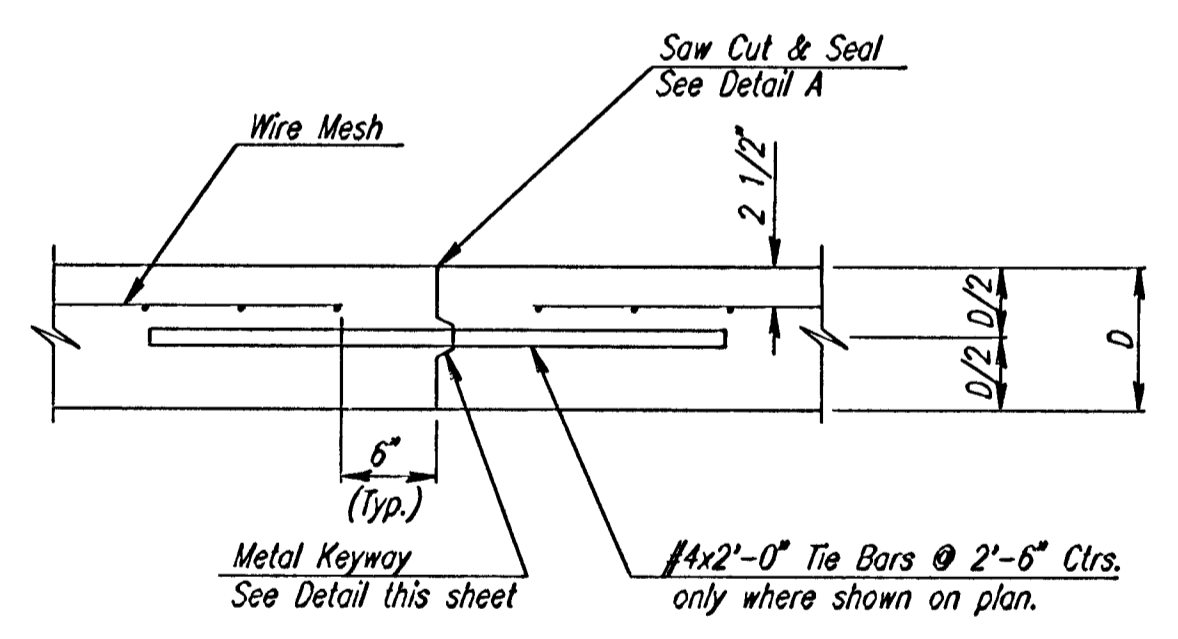


WING REINFORCING DETAIL  
NOTE: OMIT WIRE FABRIC REINFORCING IN THIS SECTION.

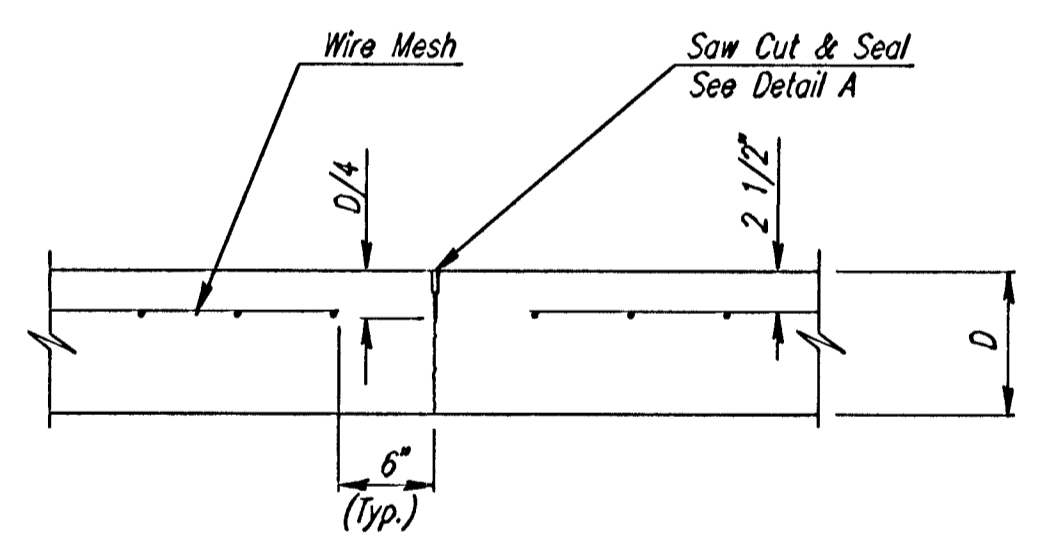


SECTION A-A

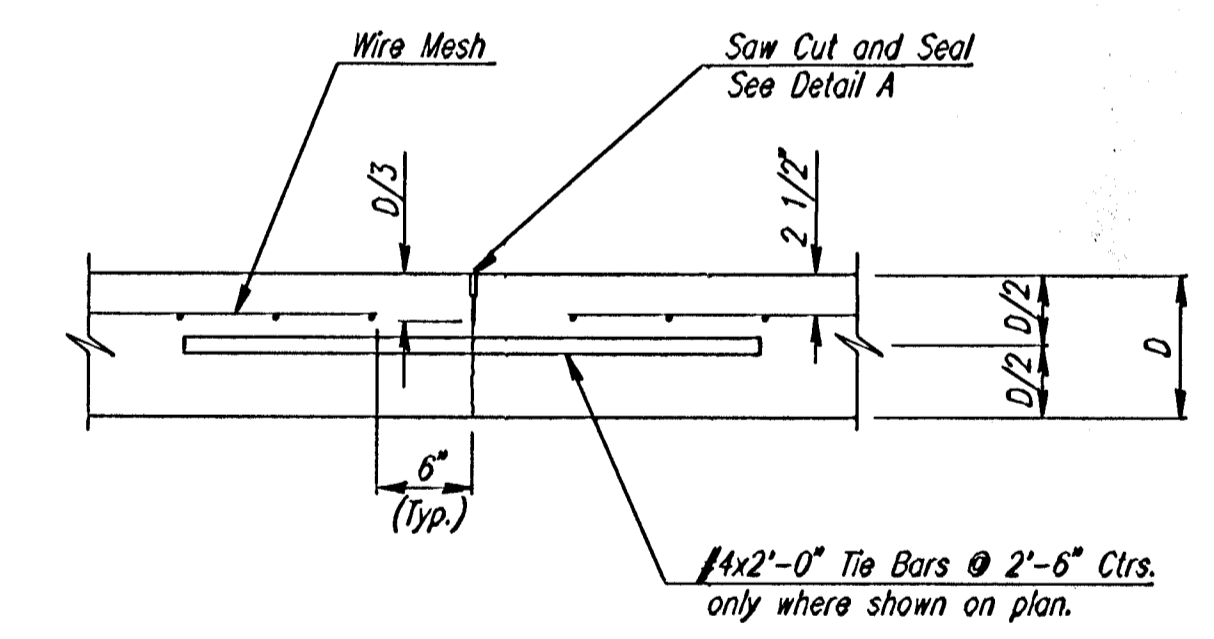
NOTE: OMIT REINFORCING MESH AT ALL JOINTS  
NOTE: ALL CONCRETE VALLEY GUTTER REINFORCEMENT SHALL BE ADEQUATELY SUPPORTED BY BAR CHAIRS IN THE REQUIRED POSITION UNLESS APPROVED OTHERWISE BY THE ENGINEER.



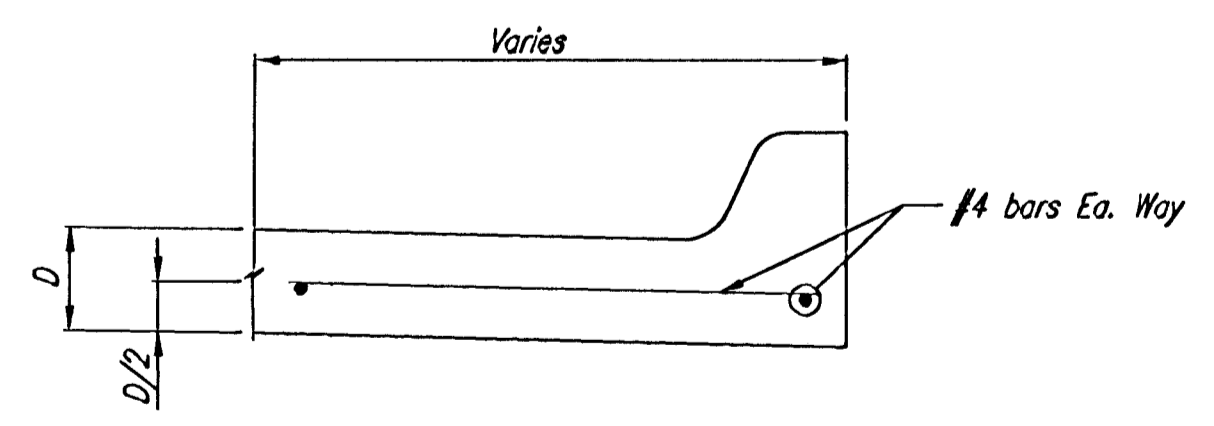
LONGITUDINAL CONSTRUCTION JOINT DETAIL  
REINFORCED PAVEMENT  
(TRANSVERSE SECTION)  
(ALTERNATE L.J.)



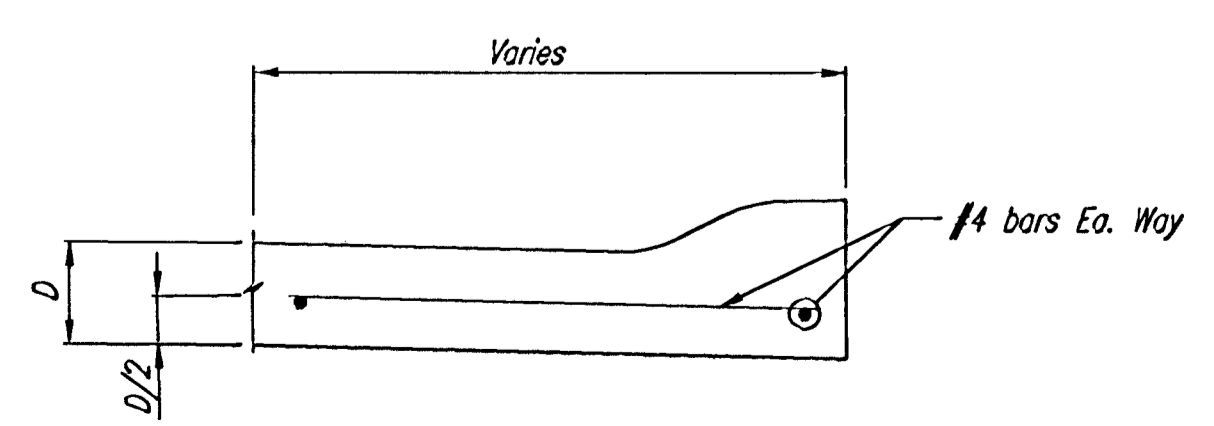
CONTRACTION JOINT DETAIL  
REINFORCED PAVEMENT  
(C.J.)



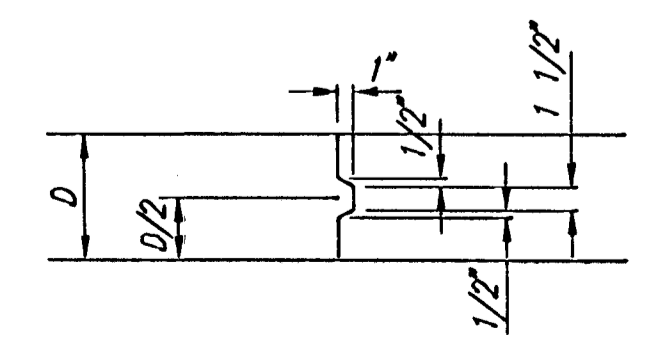
LONGITUDINAL JOINT DETAIL  
REINFORCED PAVEMENT  
(TRANSVERSE SECTION)



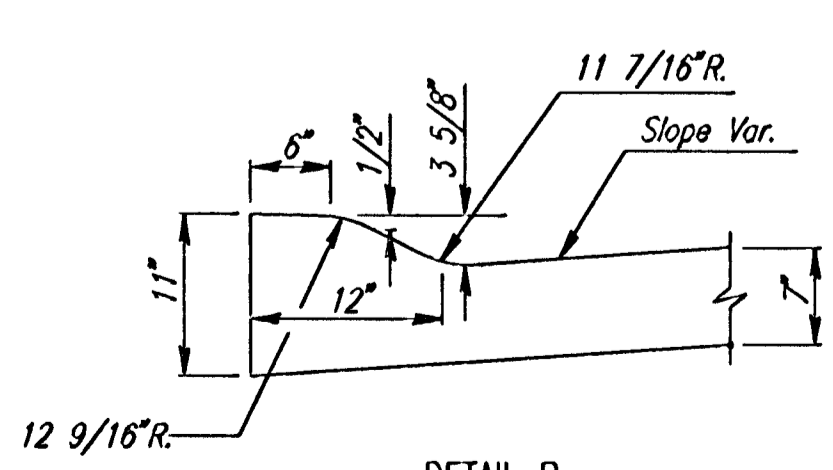
SECTION C-C  
STANDARD CURB



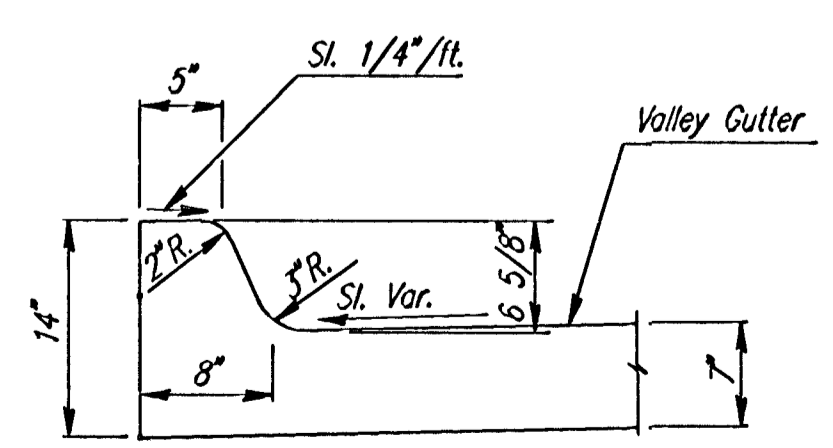
SECTION C-C  
ROLL-TYPE CURB



KEYWAY DETAIL



DETAIL B  
(ROLL-TYPE CURB)(3 5/8")



DETAIL C  
(STANDARD CURB)(6 5/8")

MONOLITHIC EDGE CURB

DSNR: BER OPER: BJS SCALE: 1=10.00  
 C:\2001\01372\007\VALGUTDL 03-05-2003 08:28:09 am

	Revision		By		Date	
	FOREST LAKES WEST-PHASE 4 CITY OF WICHITA, KANSAS <b>VALLEY GUTTER DETAILS</b>					
	CITY OF WICHITA PROJ. NO. 472-82873 <b>Professional Engineering Consultants, P.A.</b> 303 S. TOPEKA • WICHITA, KANSAS 67202 316-262-2691 • FAX 316-262-3003					
	Designed by	BER	Job No.	35-01372-007	Sht. 7 of 14	
Drawn by	BJS	Date	JAN 2003			