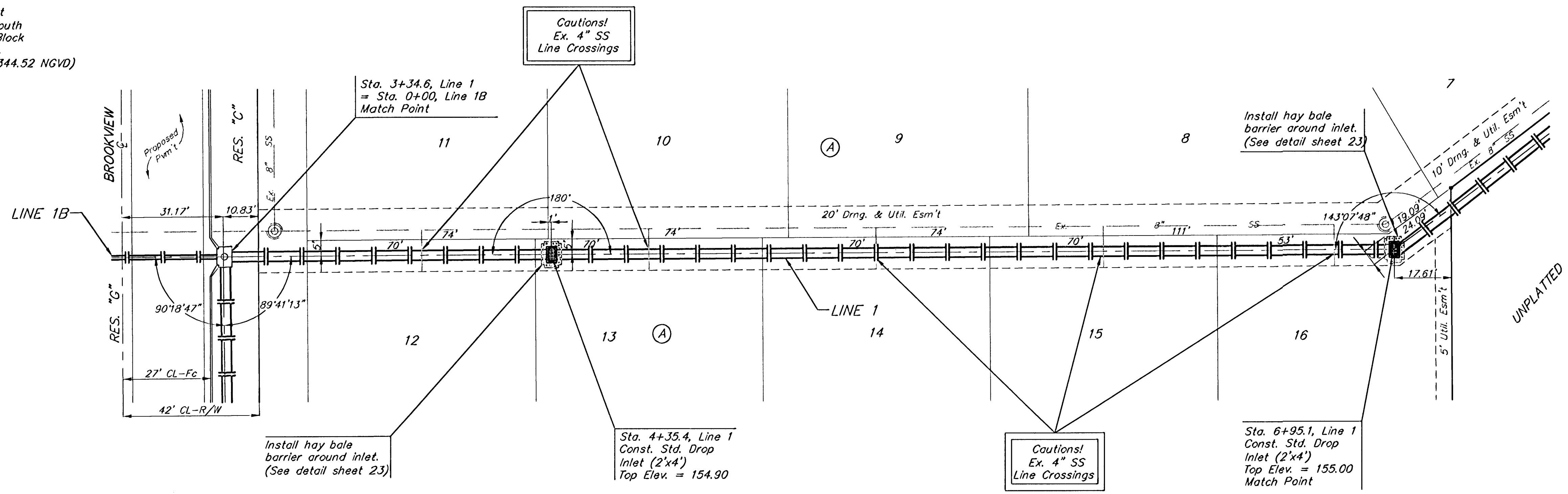
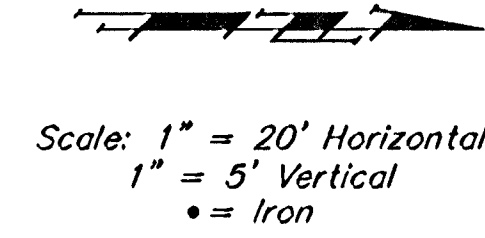


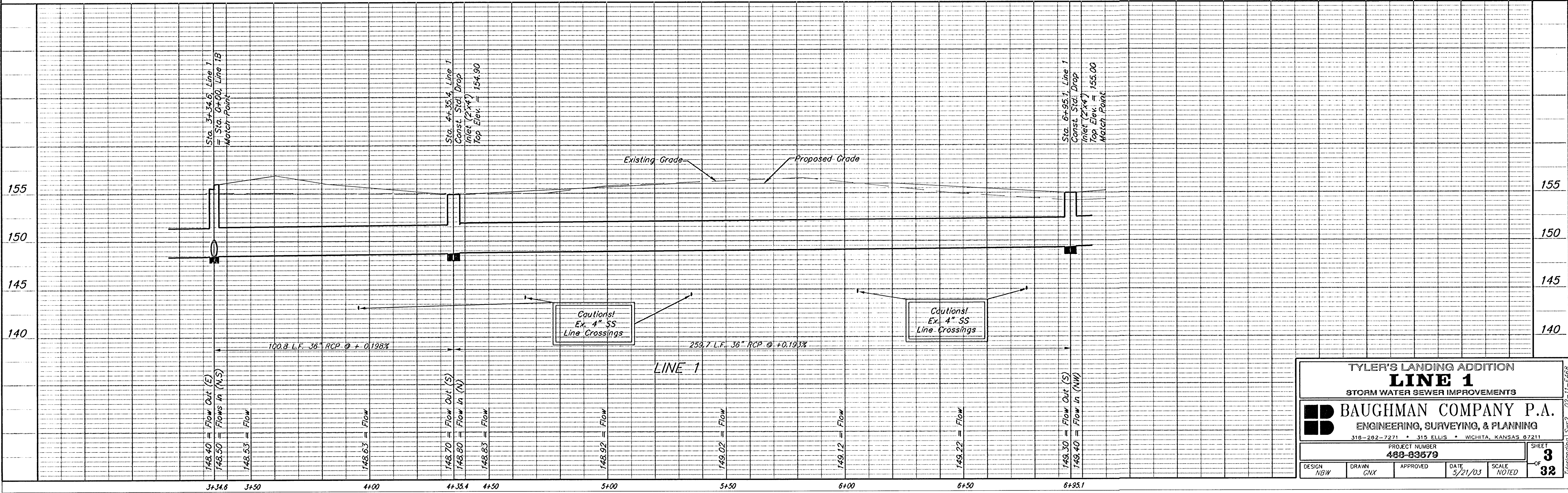
BENCHMARKS:

- BM #1: 80d Spike in West face of North High Line Pole in East R/W Tyler Road 1/2 mile of South of 37th Street North. Elev. = 176.05 City Datum (1363.45 NGVD)
- BM #2: "□" Cut Top of Curb on West side of Pepper Ridge 15'± South of Northeast Corner Lot 23, Block 5, Forest Lakes West Addition. Elev. = 157.12 City Datum (1344.52 NGVD)

TYLER'S LANDING ADDITION



TYLER'S LANDING ADDITION



TYLER'S LANDING ADDITION
LINE 1
STORM WATER SEWER IMPROVEMENTS

BAUGHMAN COMPANY P.A.
ENGINEERING, SURVEYING, & PLANNING
318-282-7271 • 315 ELLIS • WICHITA, KANSAS 67211

PROJECT NUMBER: **488-83679**

DESIGN: NBW	DRAWN: GNX	APPROVED:	DATE: 5/21/03	SCALE: NOTED
-------------	------------	-----------	---------------	--------------

SHEET **3** OF **32**