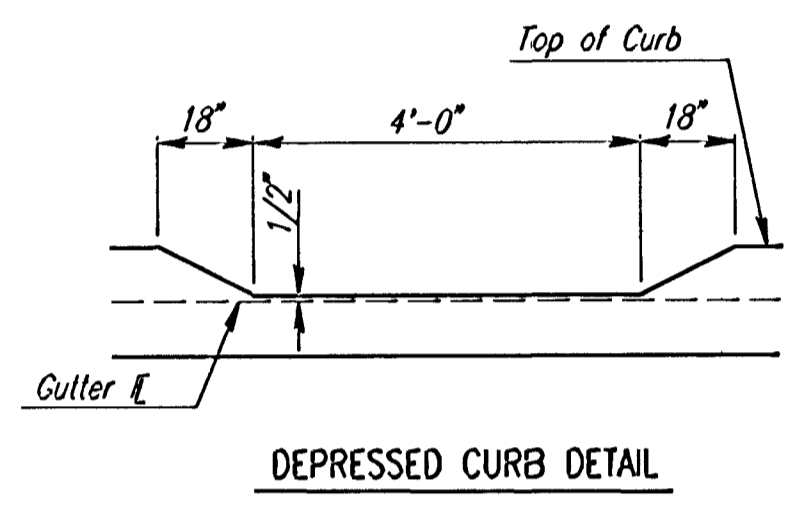
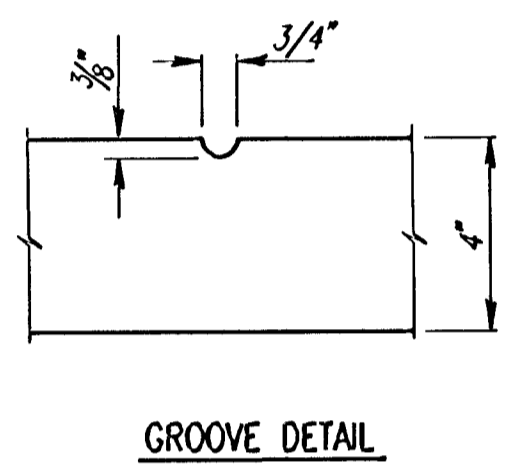
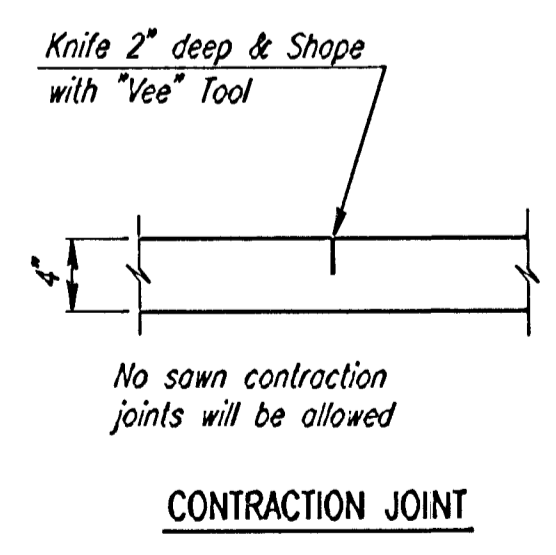
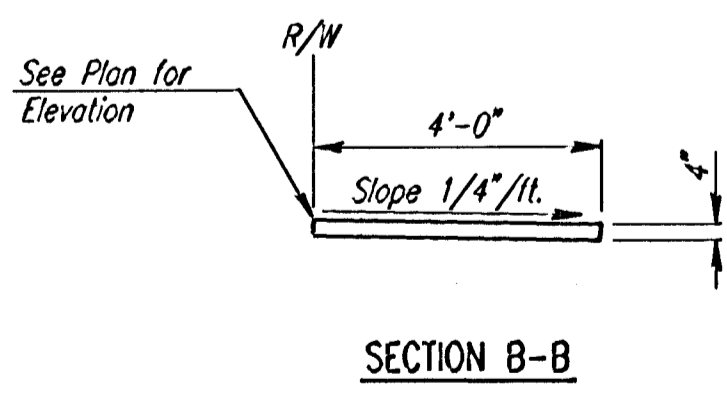
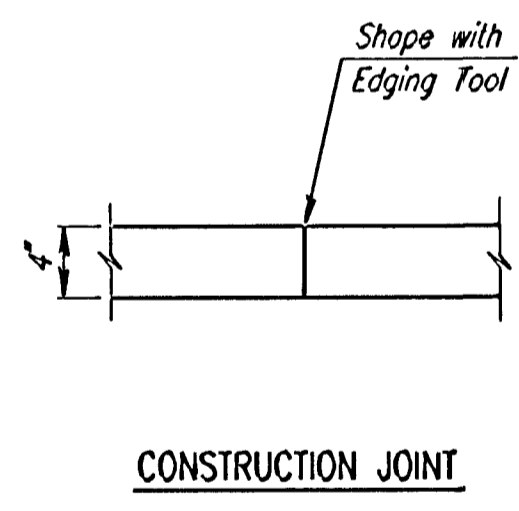
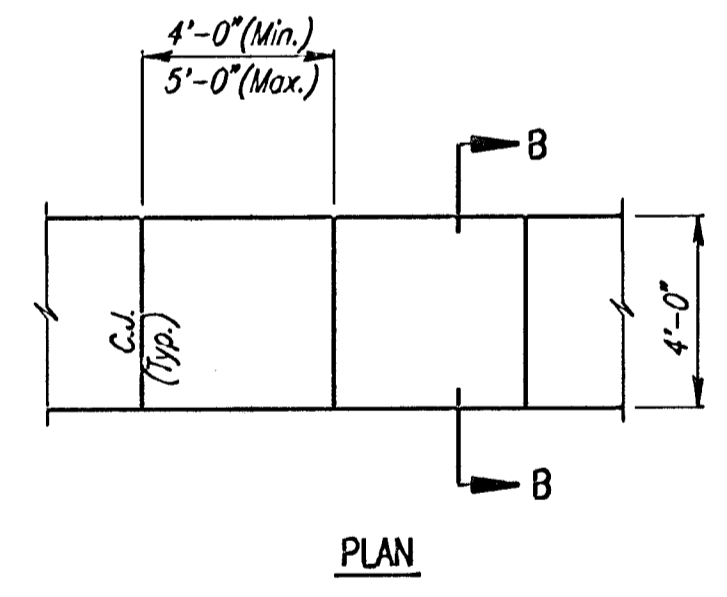


COMPACTED FILL DETAIL
WHERE SIDEWALK IS CONSTRUCTED
(See Plan Sheets for Locations)



TYPICAL WHEELCHAIR RAMP DETAILS



4" WALK DETAILS

i: 2002/02397/miscall.dgn
Date Plotted: Oct. 31, 2002
Deliver to: Bill Seaton

EVERGREEN-PHASE 4
CITY OF WICHITA, KANSAS

MISCELLANEOUS PAVING
DETAILS

Professional Engineering Consultants, P.A.
303 S. TOPEKA • WICHITA, KANSAS 67202
316-262-2691 • FAX 316-262-3003

Designed by	BER	Checked by	
Drawn by	BJS	Date	AUG. 2002
		Job No.	02397