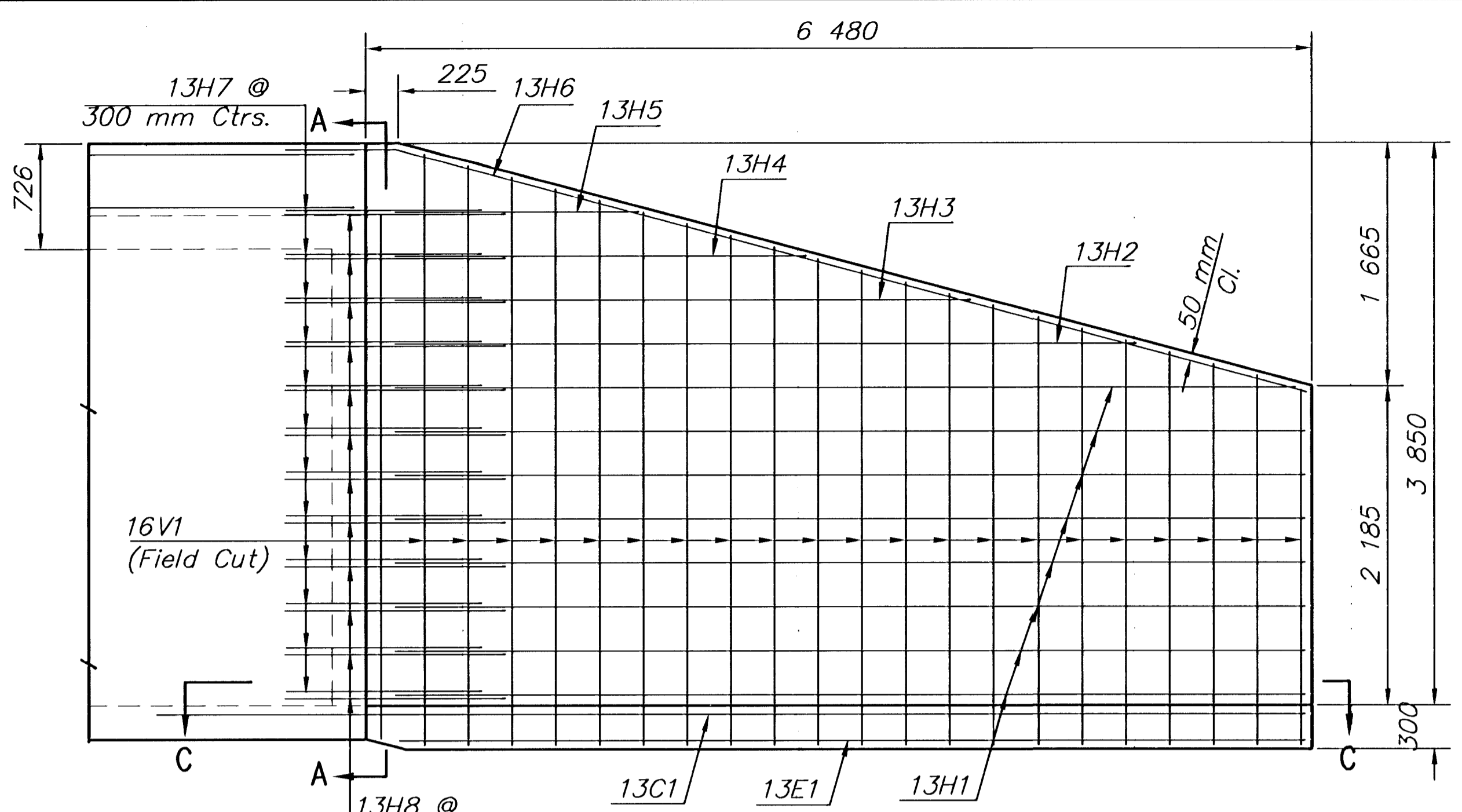


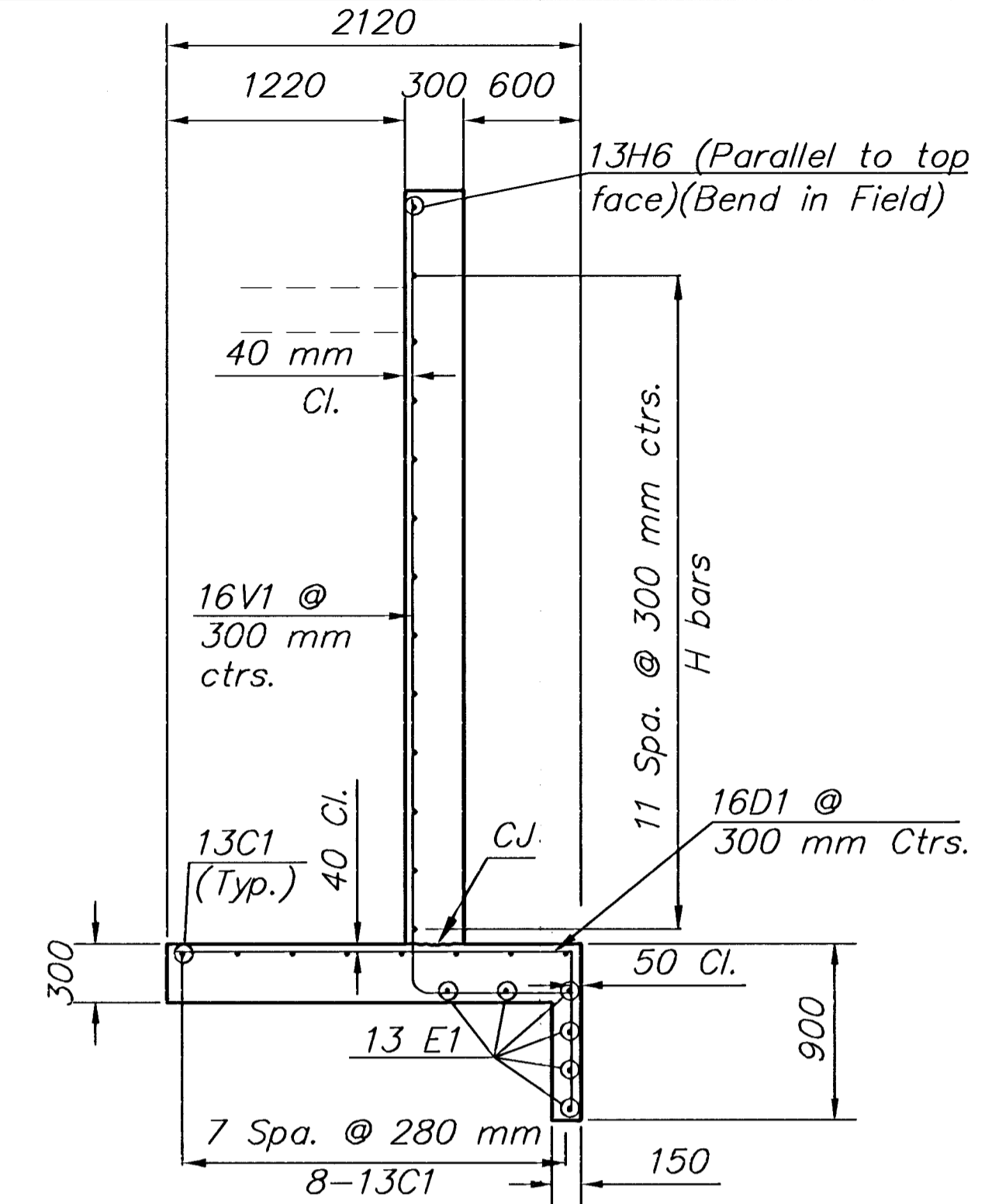
STATE	PROJECT NO.	YEAR	SHEET NO	TOTAL SHEETS
KANSAS	87 N-0203-01	2003	19	48

DATE	
BY	
REFERENCES NOTED	
REFERENCES CHECKED	

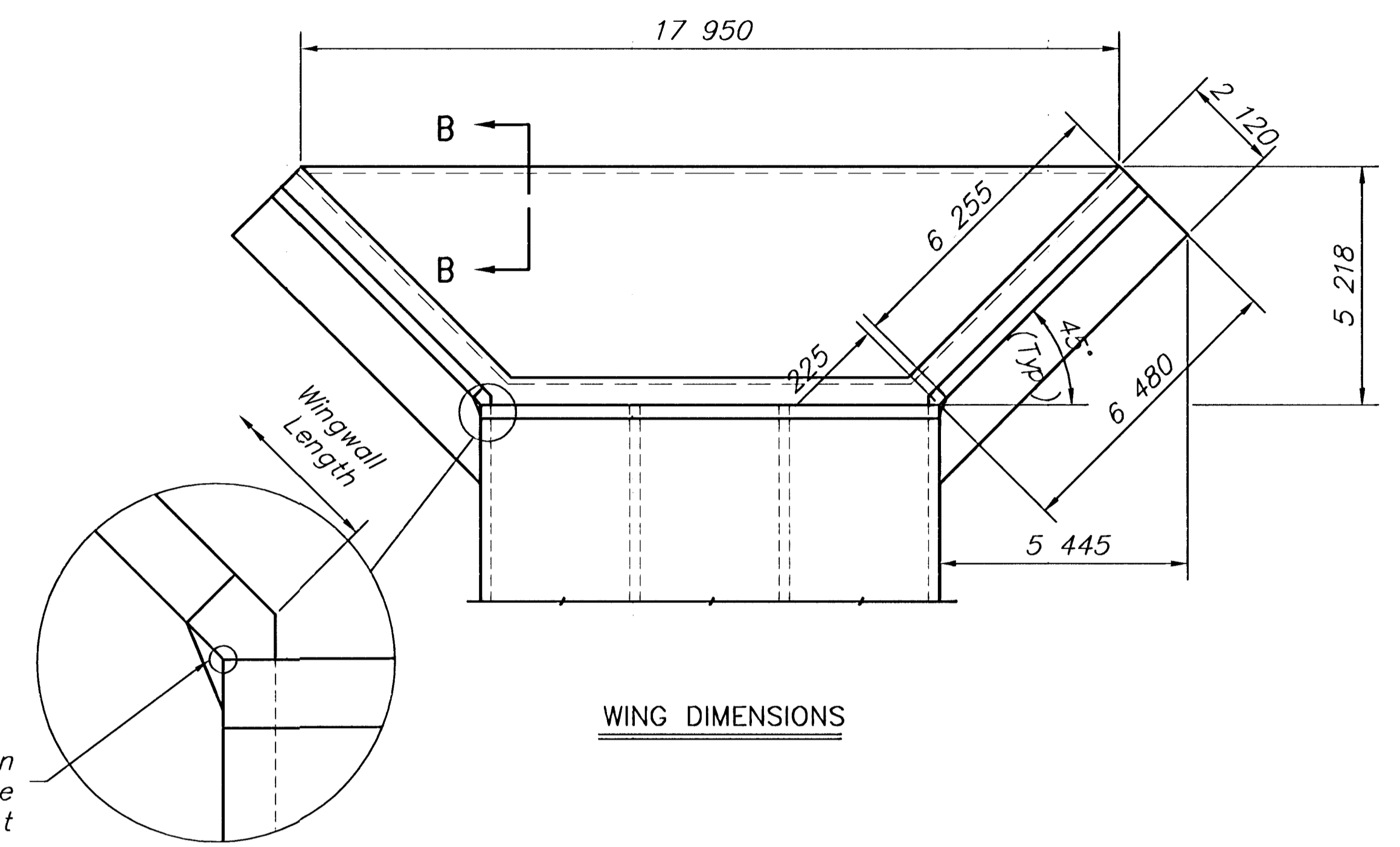


ELEVATION OF SOUTH WINGWALL  
(Backface Shown)

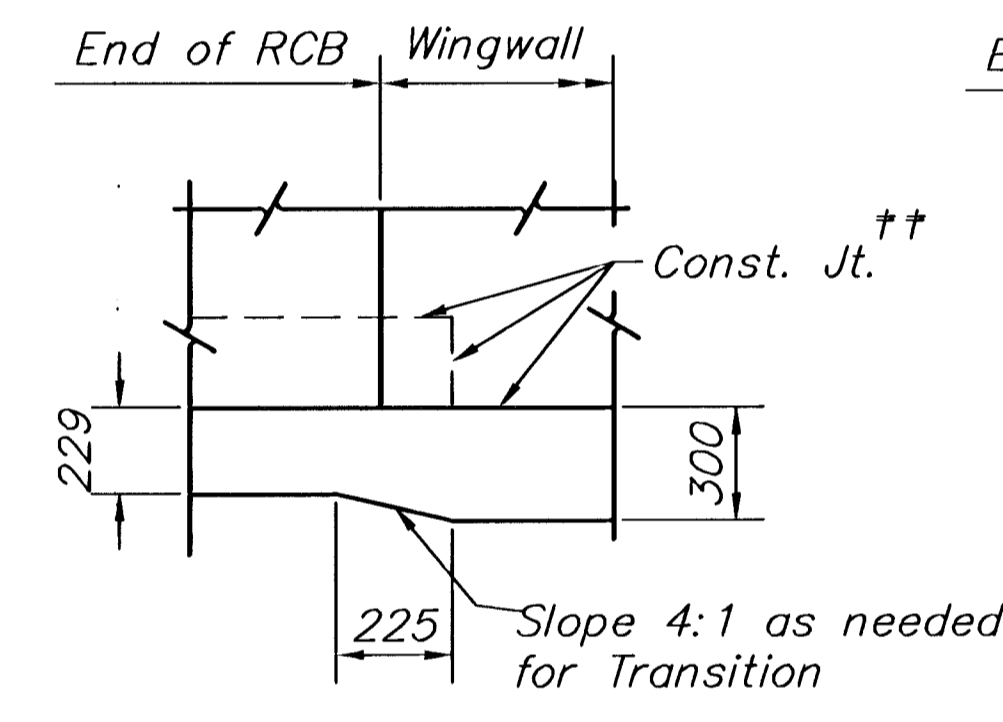
†† See RCB Details for location of construction joint.



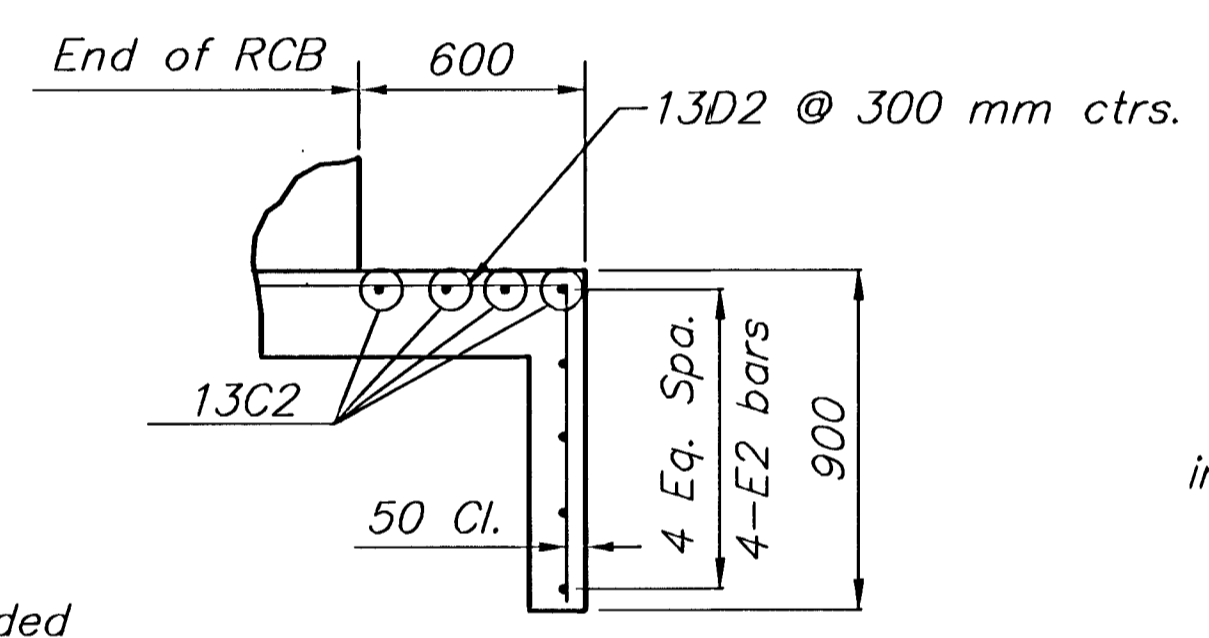
SECTION A-A



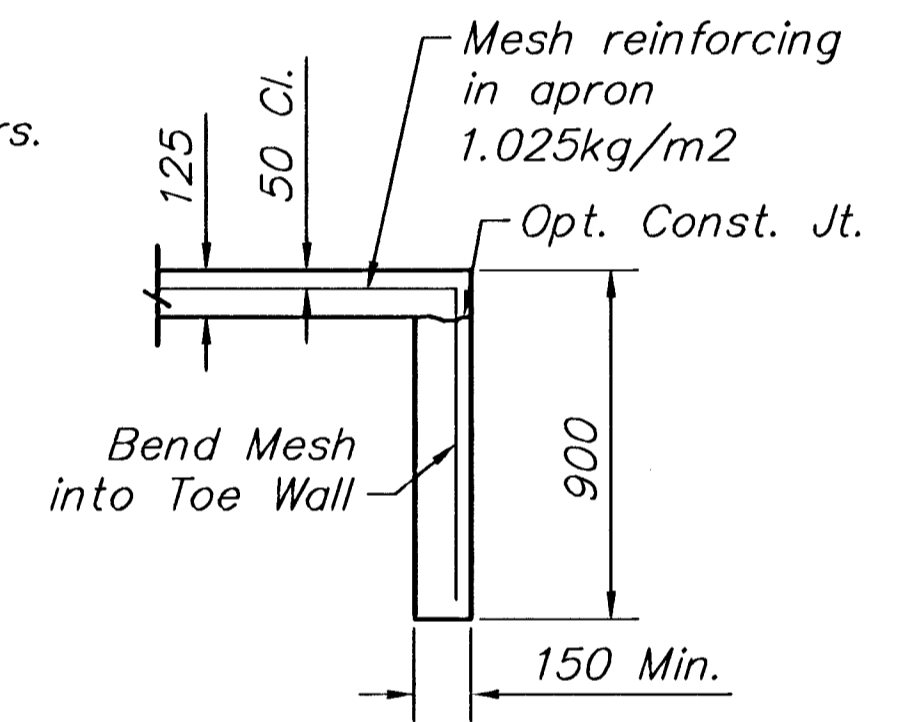
WING DIMENSIONS



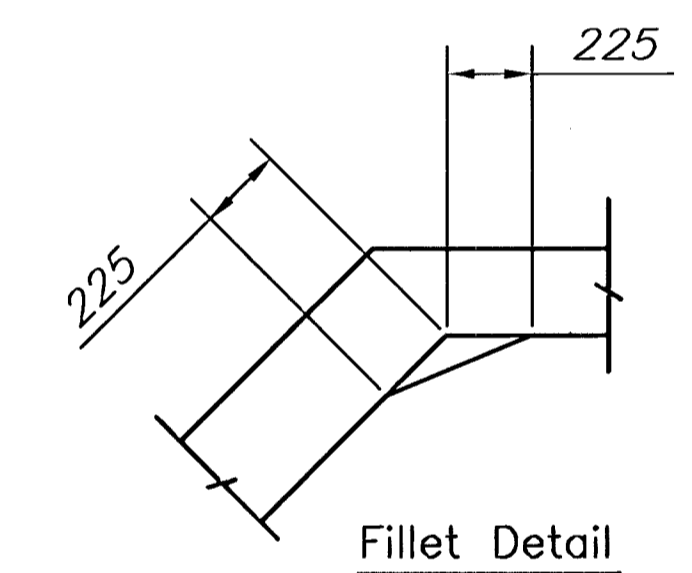
VIEW D-D



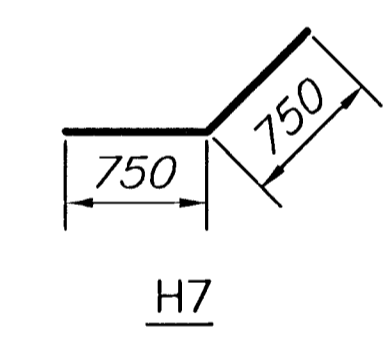
SECTION E-E



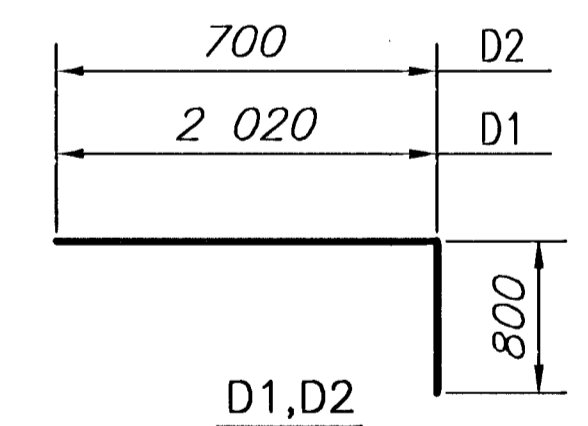
SECTION B-B



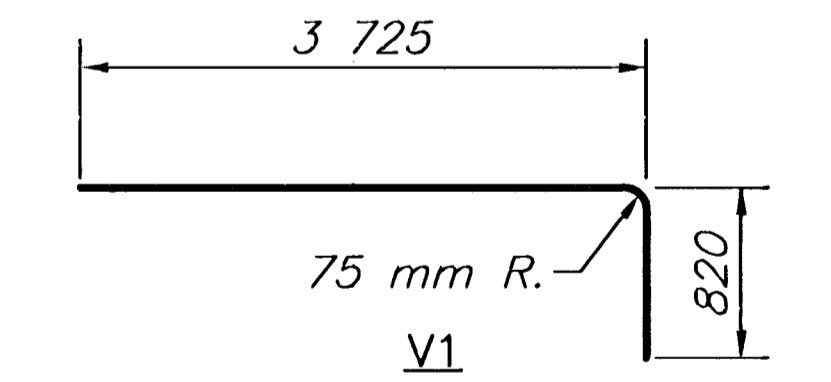
Fillet Detail



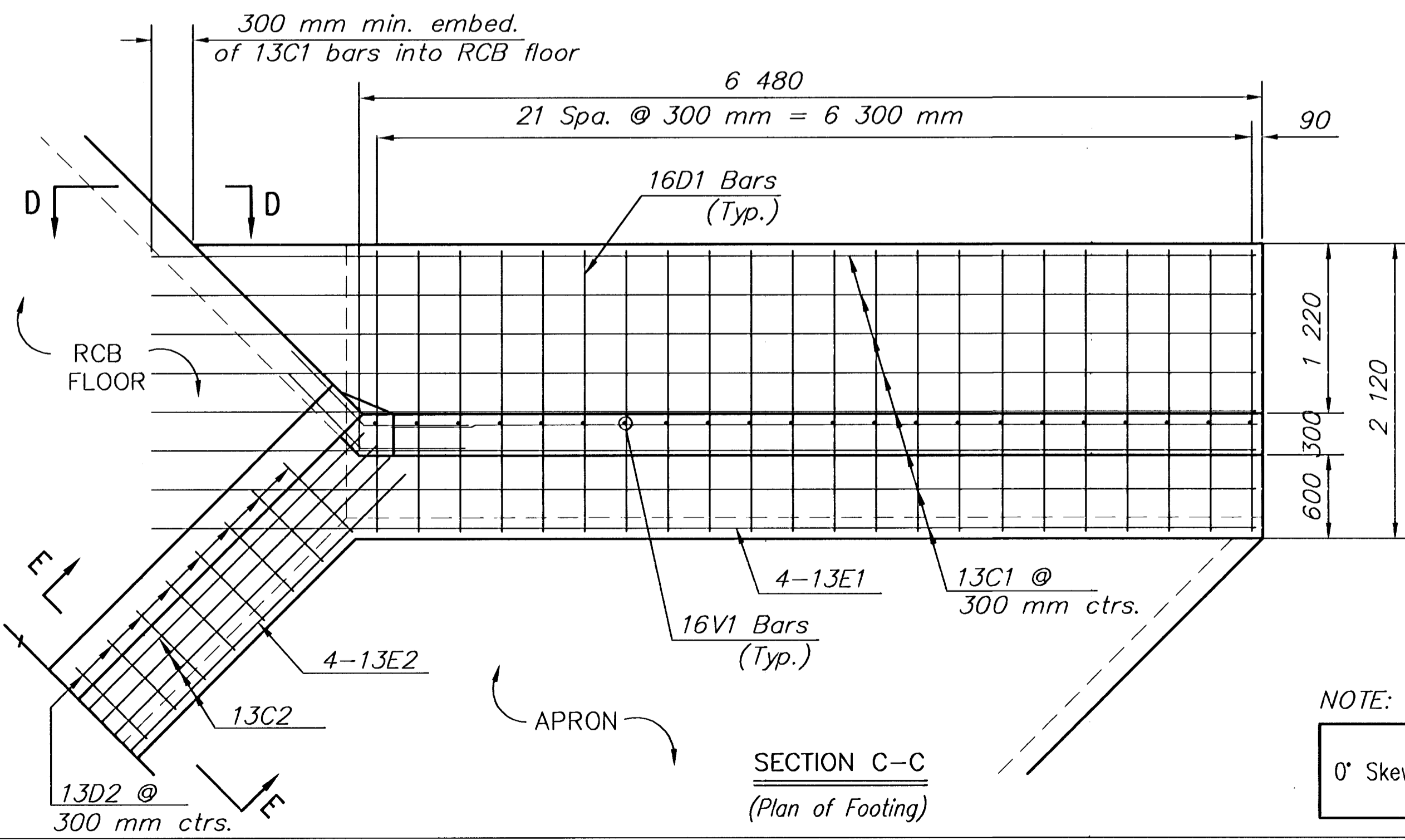
H7



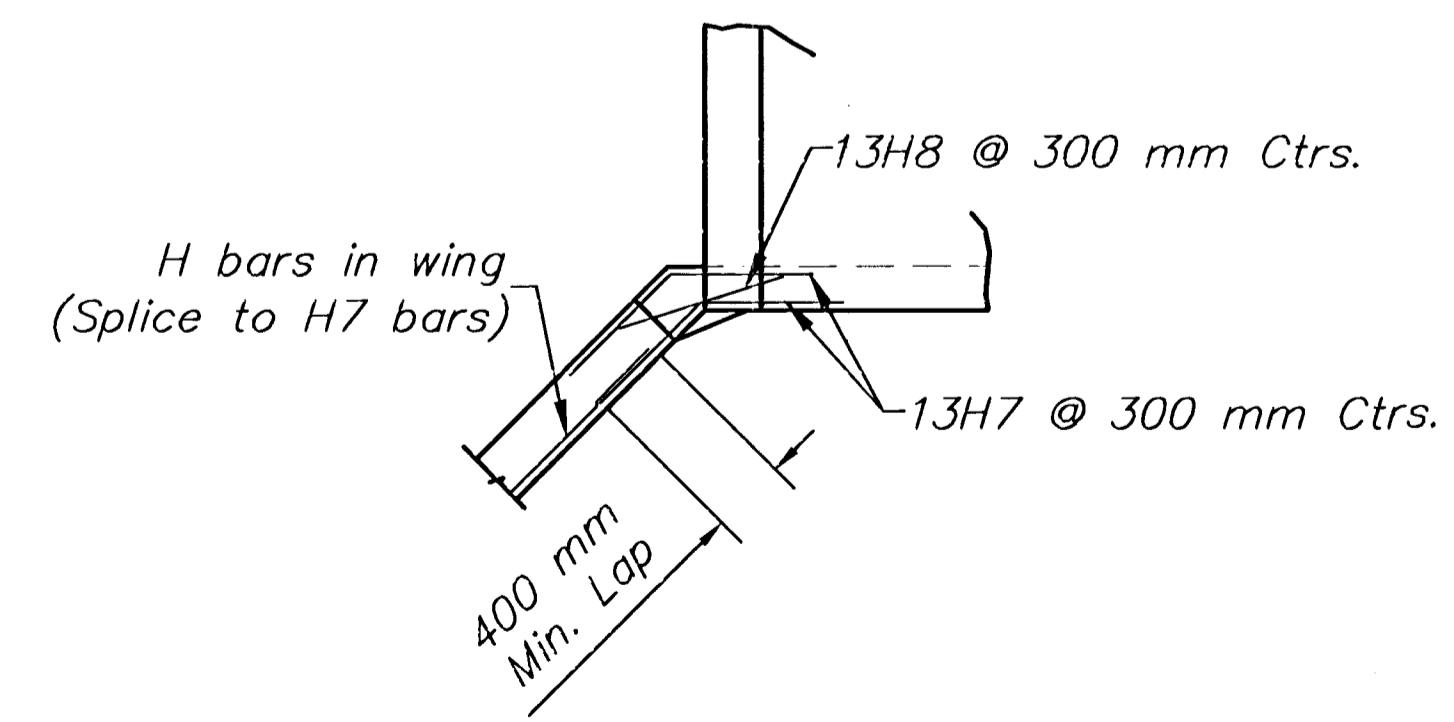
D1, D2



(Field Cut to req'd vertical height)



SECTION C-C  
(Plan of Footing)



DETAIL OF 225 x 225 FILLET  
(Plan View)

BENDING DIAGRAM  
(All dimensions are out to out of bars.)

NOTE: Reinforcing Bar List is for 45° wingwalls

0° Skew	Bar No.	13C1	13C2	16D1	13D2	13E1	13E2	13H1	13H2	13H3	13H4	13H5	13H6	13H7	13H8	16V1
	Length	8000	9500	2820	1500	6430	8780	6400	5230	4060	2900	1730	6700	1500	900	4545

G:\CIVIL\01079\DETAILS\01079S-WING.DWG 01/09/03 06:22:58 PM CST

NO.	DATE	REVISIONS	BY	APP'D
2				
1				

KANSAS DEPARTMENT OF TRANSPORTATION  
TRIPLE 3.048 X 3.124 m  
SOUTH END (0° SKEW)  
PROJ. NO. 87 N-0203-01 SEDGWICK CO.  
MKEC ENGINEERING CONSULTANTS, INC.  
WICHITA, KANSAS

DESIGNED BY: KJS CHECKED BY: KJS  
DRAWN BY: RCB DATE: JAN. 2003 SHEET 19 OF 48