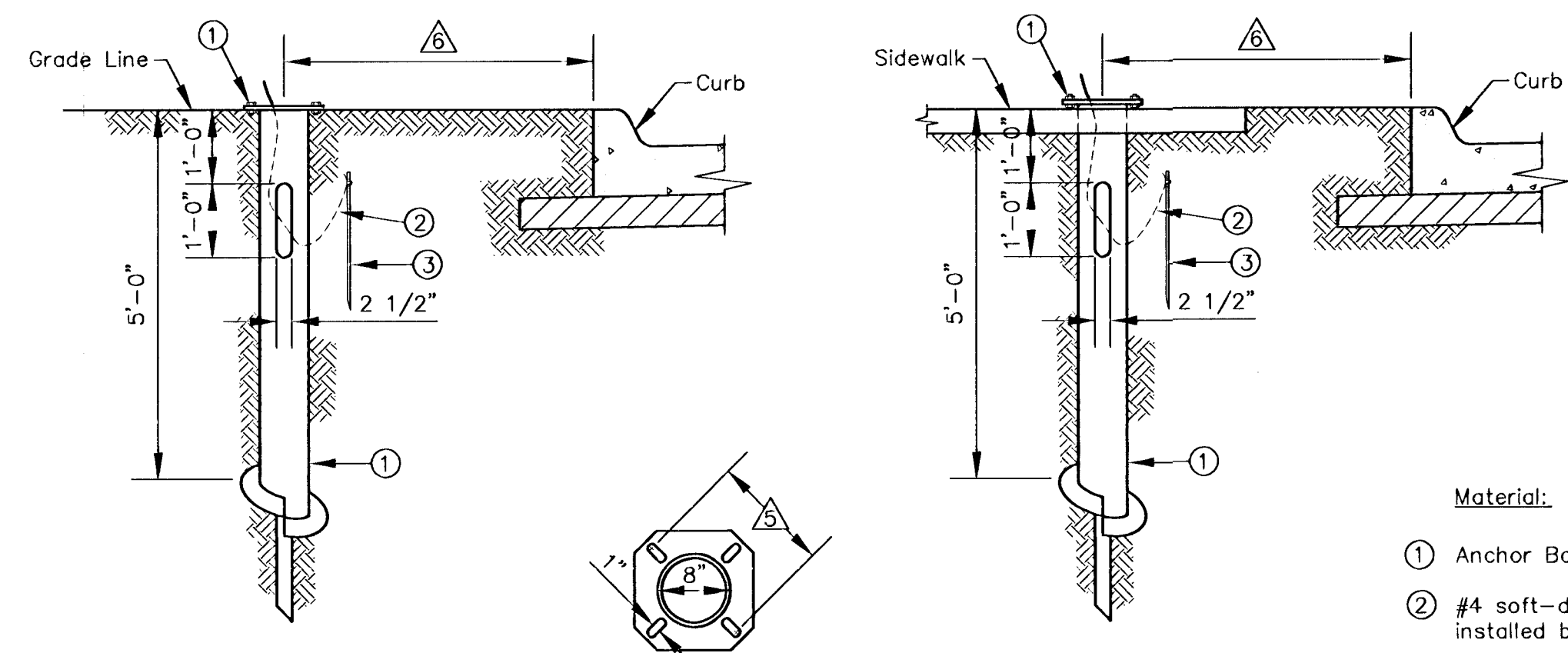
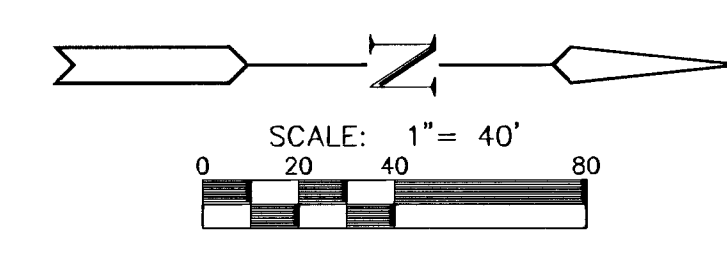
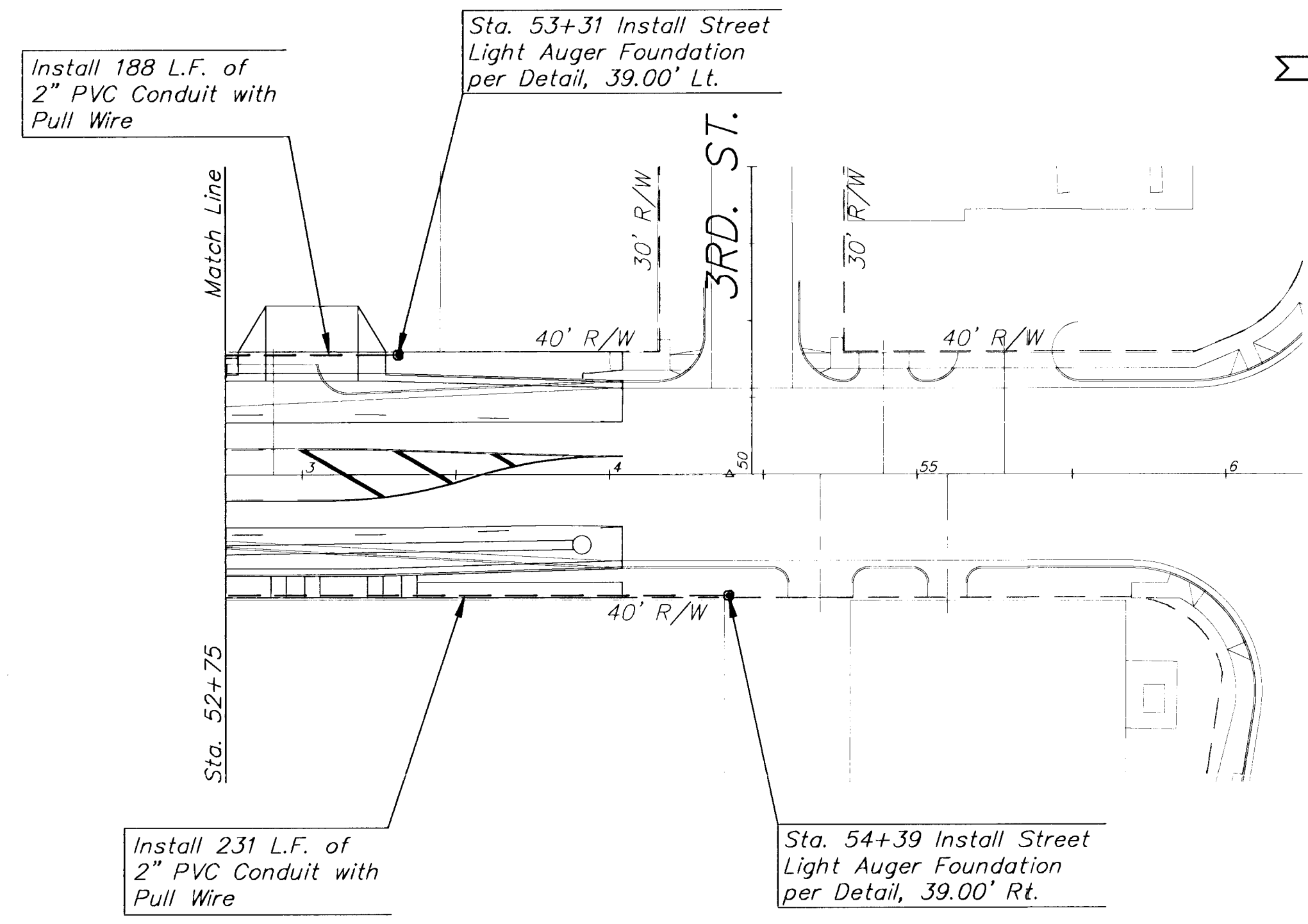


- Notes:
1. Install 2" PVC Conduit with pull wire. Conduit shall be buried 36" below finish grade.
  2. Terminate conduit at KGE poles with 24" sweep elbow and vertical stub extended above grade. Coordinate with KGE.
  3. At Douglas intersection, terminate conduit at KGE manholes. Coordinate with KGE.
  4. Junction boxes shall be installed per standard detail on traffic signalization sheets. Cover lettering shall be "KGE". Cost Subsidiary to 2" PVC Conduit.
  5. Install Auger Foundation for light poles per detail and manufacturer's instructions. Terminate conduit inside foundation at top of base plate.
  6. Pole locations may be moved up to 10' from plan location to avoid conflict with other improvements, as approved by the Engineer. Relocation of more than 10' will require KGE concurrence.

**SENECA ST. STA. 43+50 TO STA. 54+50**



BILL OF MATERIALS (FOR INFORMATION ONLY)		
ITEM	QUANTITY	UNIT
Conduit 2" PVC (with Pull Wire)	5811	L.F.
Street Light Auger Foundation	28	Each
Junction Box - 24" Dia.	5	Each

- Material:
- 1 Anchor Bolts Assembly
  - 2 #4 soft-drawn bare copper wire, furnished by KGE, installed by Contractor.
  - 3 5/8"x 8' Ground Rod, furnished by KGE, installed by Contractor

- Notes:
1. Steel standards shall be plum on two vertical planes 90° apart.
  2. All excavated dirt and concrete to be hauled away.
  3. If the foundation will be installed in an area where a future sidewalk or curb has not been installed, the foundation will be installed as shown in FIG. 2.
  4. Auger Foundation shall be approved for steel 30' Credenza poles, HB 8601117 as manufactured by JH Botts, Inc., or approved equal.
  5. 10" to 15" bolt circles. (30' Credenza pole bolt circle=11")
  6. This dimension to be 6'-0" (Typ.)
  7. Requires universal driving tool and correct Kelly Bar adaptor.
  8. Foundation should be installed in undisturbed soil. Where the soil is disturbed, it shall be backfilled in 6" layers and air tamped.

**STREET LIGHT AUGER FOUNDATION FOR STEEL POLES**

**SENECA STREET**  
PROJECT NAME

**STREET LIGHTING PLAN**  
SHEET TITLE

MID-KANSAS ENGINEERING CONSULTANTS, INC.  
411 N. WEBB ROAD  
WICHITA, KS. 67206  
316-684-9600

DCH DESIGN BY: HWJ DRAWN BY: DCH CHECKED BY:  
OCT. 2001 DATE: 98092SL2 JOB NO.: 62 / 87 SHEET / OF

6:\CVL\198092\LIGHTING\98092SL2.dwg Thu Oct 25 15:44:57 2001