

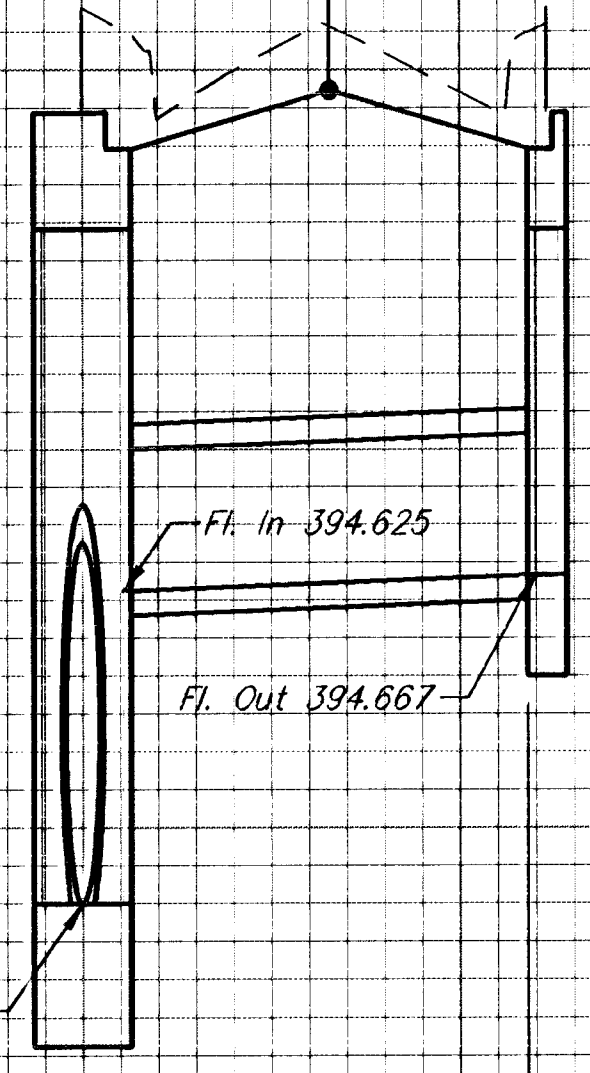
REFERENCES NOTED	BY	DATE
REFERENCES CHECKED		

398					
397					
396					
395					
394					

Station 0+105.000 Lt.
Construct Inlet (Type II) (Curb)
(Special) W = 2.575 m
Top Elev. 395.887

Centerline Prop. Improvements
Elev. 396.946

Station 0+105.000 Rt.
Construct Inlet (Type II) (Curb)
Top Elev. 395.887



CROSS SECTION AT STATION 0+105.000

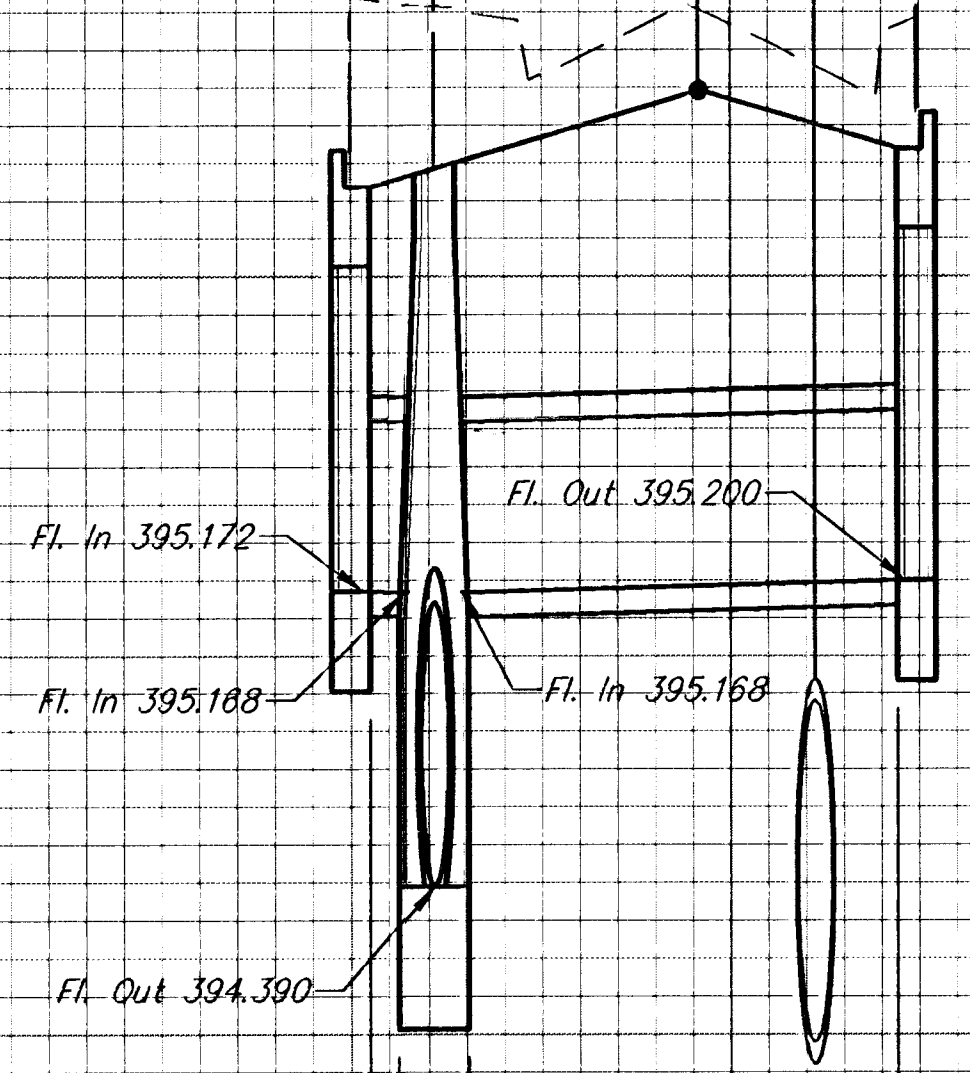
Station 0+306.000 Lt.
Construct Inlet (Type II) (Curb)
Top Elev. 396.333

Station 0+306.000 Lt.
Construct Manhole (Type P)
(1.525 m Dia.) Top Elev. 396.275

Centerline Prop. Improvements
Elev. 396.492

900 mm Water Main

Station 0+306.000 Rt.
Construct Inlet (Type II) (Curb)
Top Elev. 396.434



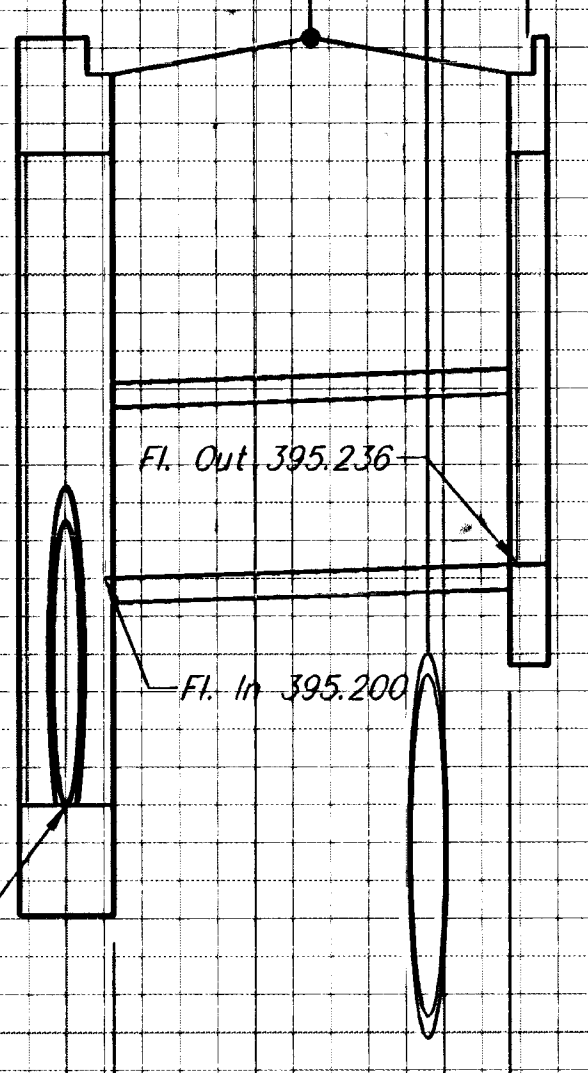
CROSS SECTION AT STATION 0+306.000

Station 0+414.985 Lt.
Construct Inlet (Type II) (Curb)
(Special) W = 2.490 m
Top Elev. 396.626

Centerline Prop. Improvements
Elev. 396.492

900 mm Water Main

Station 0+414.985 Rt.
Construct Inlet (Type II) (Curb)
Top Elev. 396.626



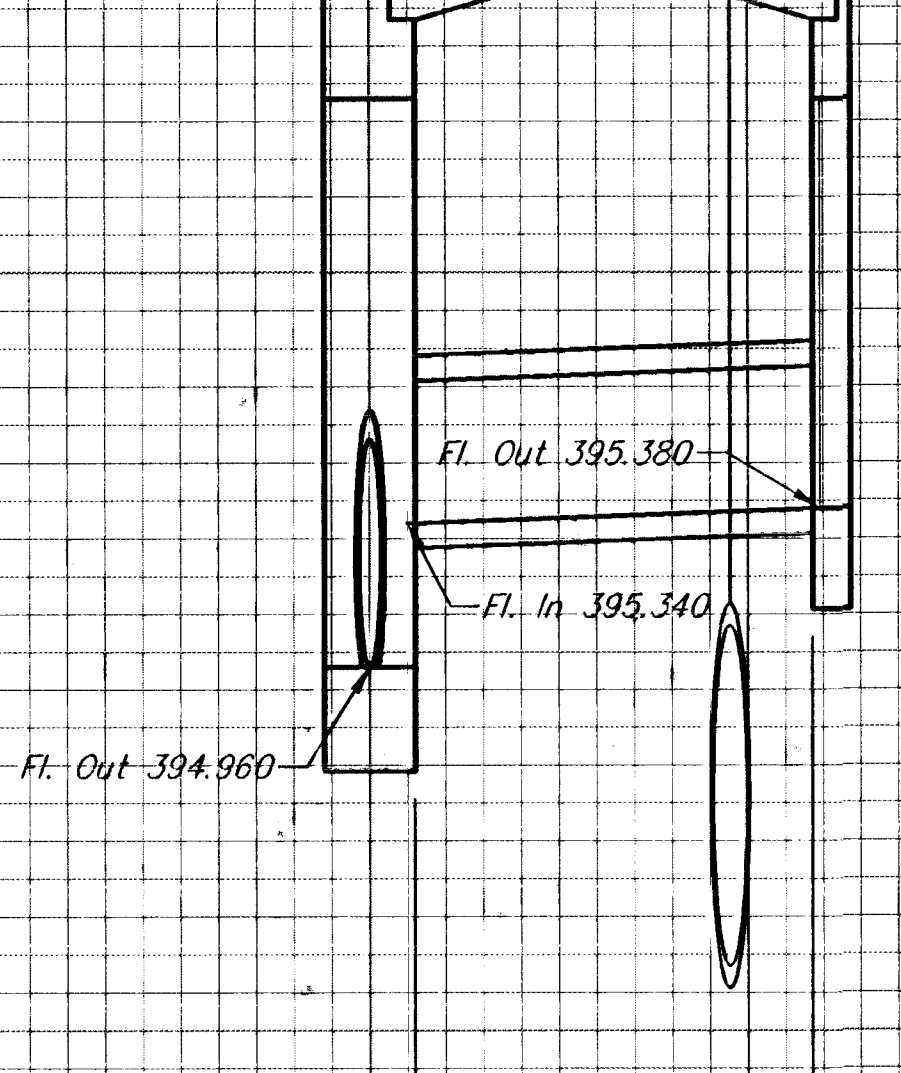
CROSS SECTION AT STATION 0+414.985

Station 0+498.769 Lt.
Construct Inlet (Type II) (Curb)
(Special) W = 2.400 m
Top Elev. 396.765

Centerline Prop. Improvements
Elev. 396.823

900 mm Water Main

Station 0+499.930 Rt.
Construct Inlet (Type II) (Curb)
Top Elev. 396.765



CROSS SECTION AT STATION 0+499.381

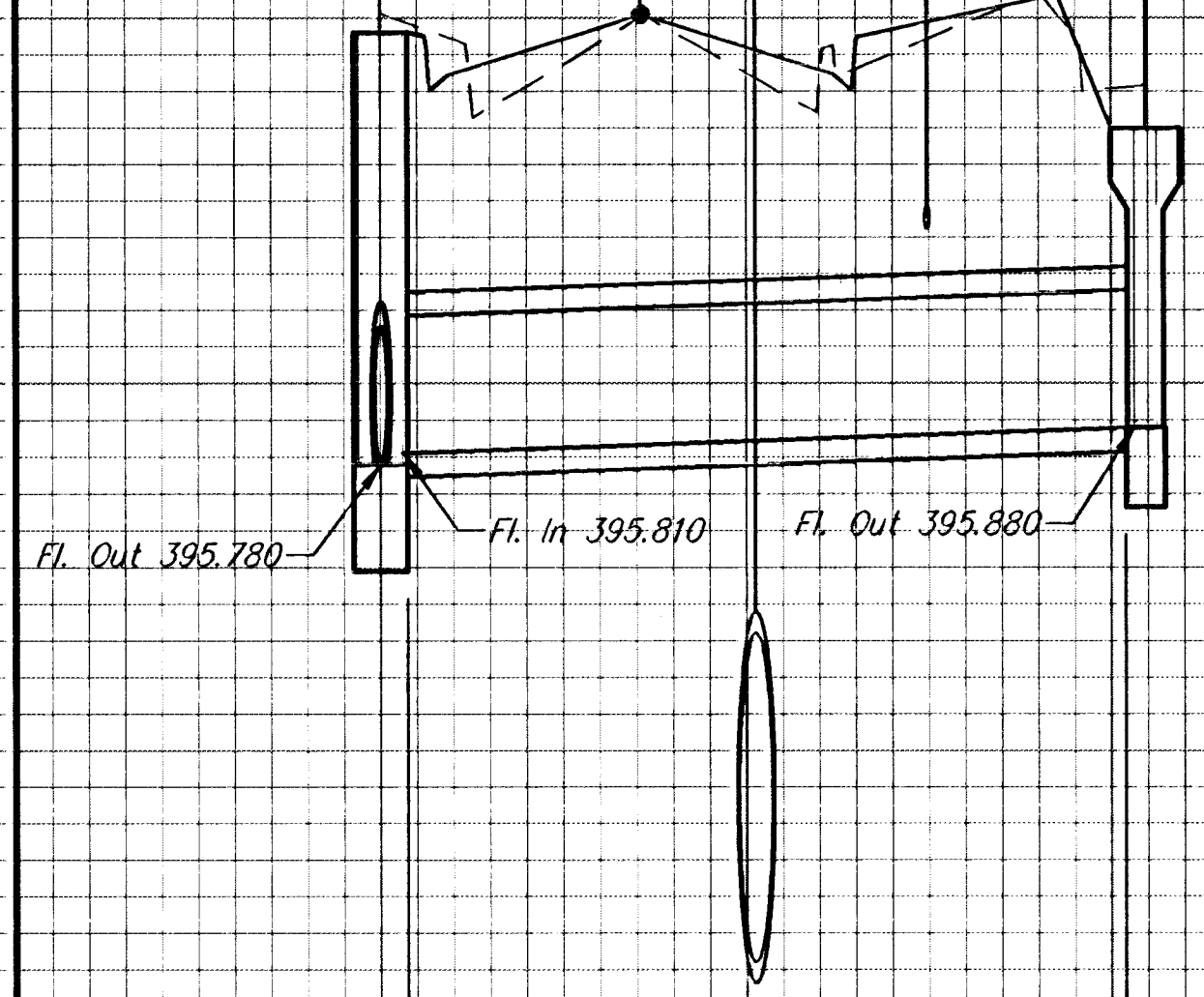
Station 0+646.000 4.544 Lt.
Construct Manhole (Type P) (Shallow)
(1.220 m Dia.) Top Elev. 396.960

Centerline Prop. Improvements
Elev. 397.009

900 mm Water Main

SWIFT Cable

Station 0+650.108 15.971 Rt.
Construct Inlet (Type P) (Drap)
(610 mm x 1220 mm)
Top Elev. 396.700



CROSS SECTION AT STATION 0+647.398

398					
397					
396					
395					
394					

MERIDIAN IMPROVEMENTS STORM SEWER CROSS SECTIONS

SRB 924 NORTH MAIN WICHITA, KANSAS 67203 316-264-8008 FAX 316-264-4821
http://www.srb.com/srb E-Mail: srbs@earthlink.net

SAVOY, RUGGLES & BOHM, P. A. ENGINEERING & SURVEYING

PROJECT NUMBER: 472-76-245-82740-000-001

DRAWN: J. Long DESIGN: T.C.R. REVIEW: JCR DATE: Jan. 8, 1999 UTILITY: SRB JOB: 539T

REVISED: 33
SWS Profiles: 162