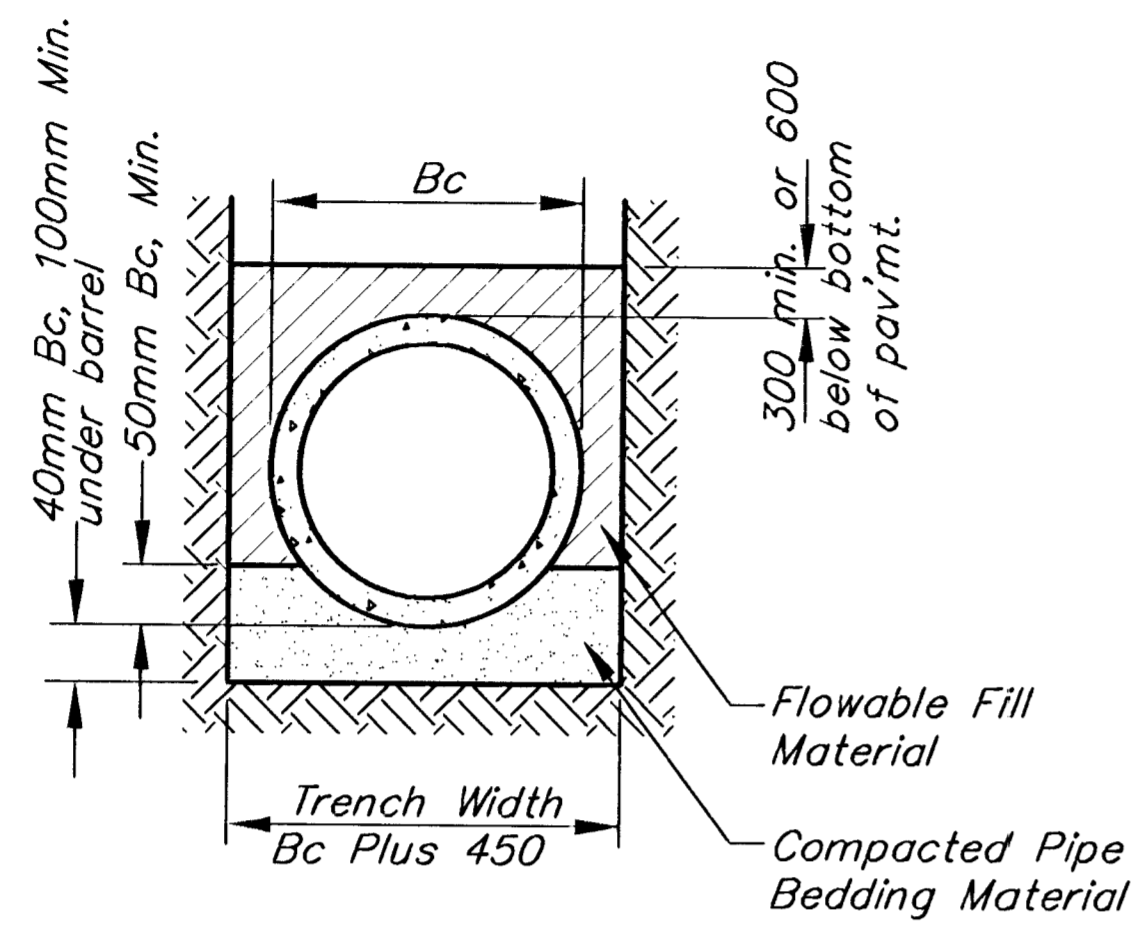
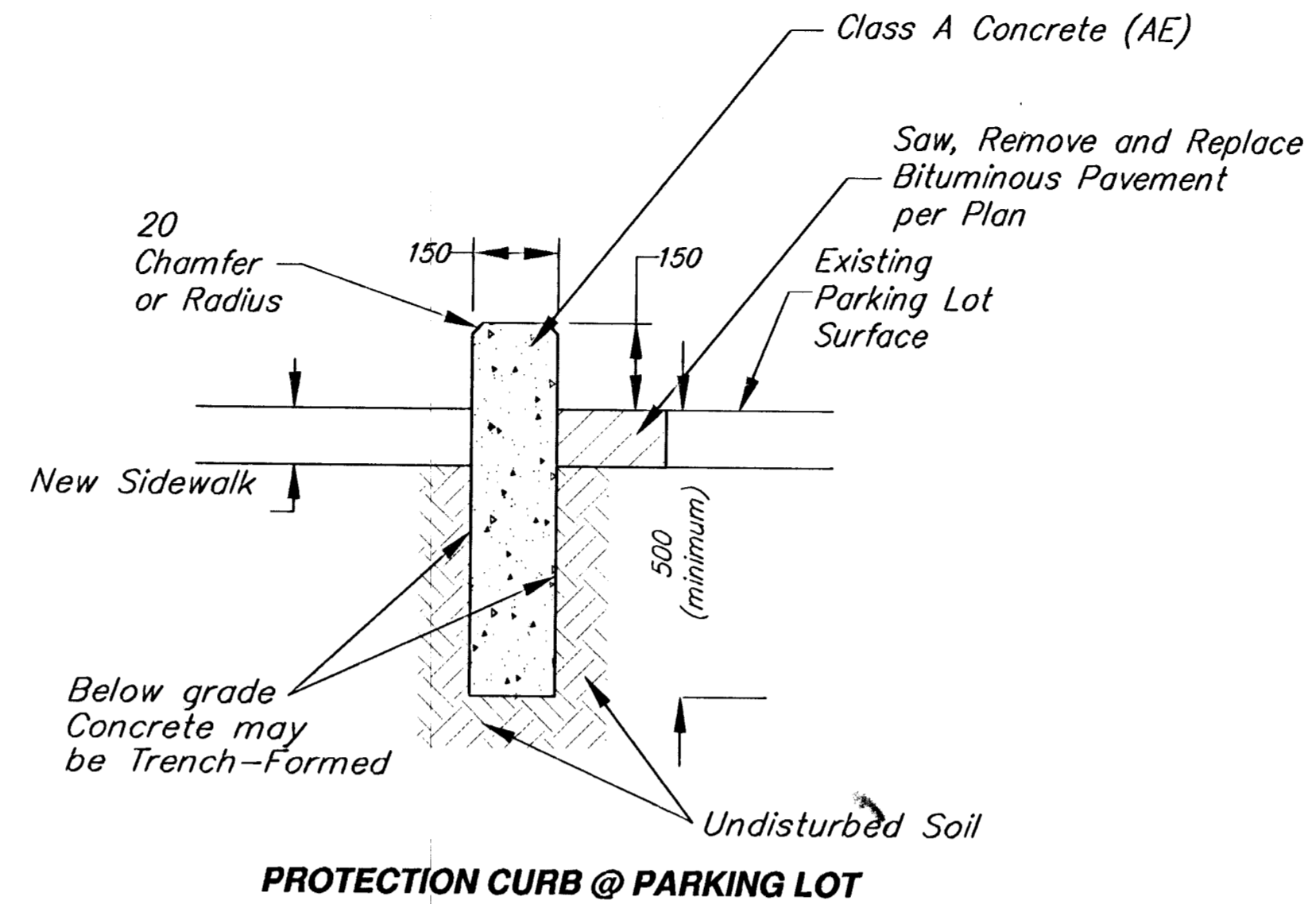


FHWA REGION NO.	STATE	PROJECT NUMBER	FISCAL YEAR	SHEET NUMBER	TOTAL SHEETS
7	KANSAS	87N-0080-01	1997	60	162

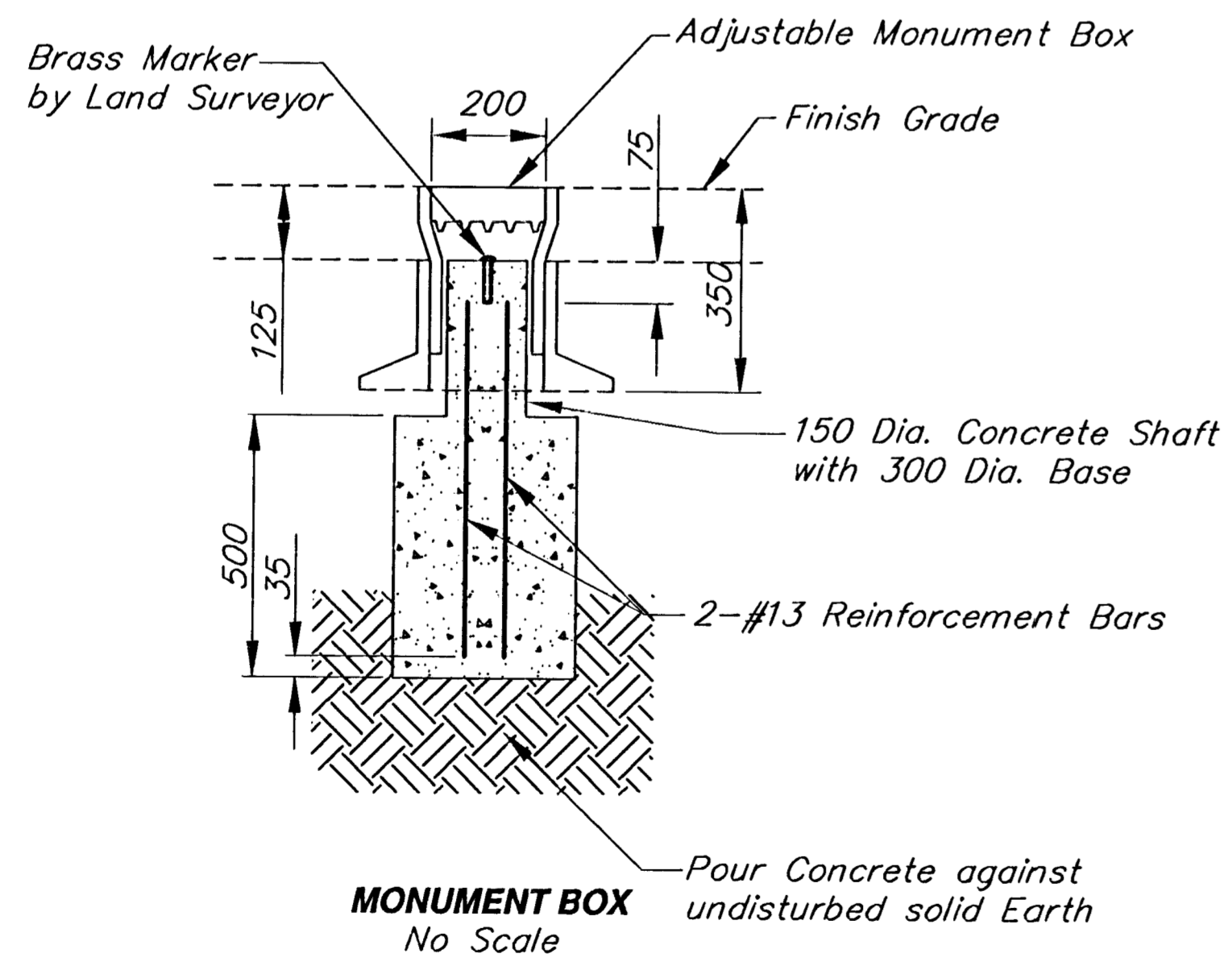
DATE	
BY	
REFERENCES NOTED	
REFERENCES CHECKED	



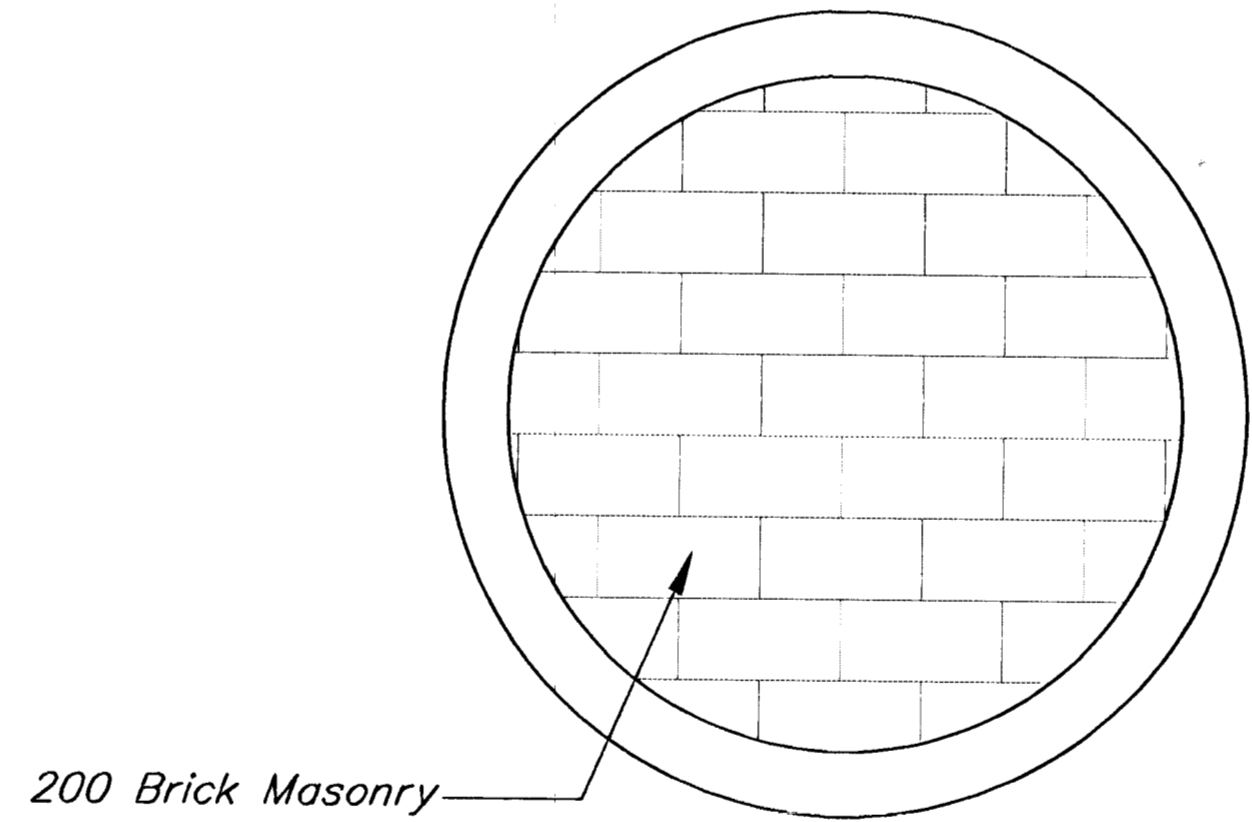
**DETAIL OF FLOWABLE FILL FOR STORM SEWER PIPE**



**PROTECTION CURB @ PARKING LOT**



**MONUMENT BOX**  
No Scale



**PIPE PLUG DETAIL**

1. Mortar used in plug construction shall be in accordance with standard specifications.
2. All brick used in plug construction shall meet Grade ASTM C32 for MM and MS.
3. Pipe plugs shall be Subsidiary to the project.

MERIDIAN IMPROVEMENTS MISCELLANEOUS DETAILS					
	924 NORTH MAIN WICHITA, KANSAS 67203 http://www.felst.com/~srb	316-264-8008 FAX 316-264-4821 E-Mail: srb@felst.com	PROJECT NUMBER <b>472-76-245-82740-000-000-001</b>	SHEET NUMBER <b>60</b>	TOTAL SHEETS <b>162</b>
	SAVOY, RUGGLES & BOHM, P. A. ENGINEERING & SURVEYING	DRAWN J. Long	DESIGN T.C.R.	REVIEW DATE Sep. 28, 1998	UTILITY SRB JOB 5.39T