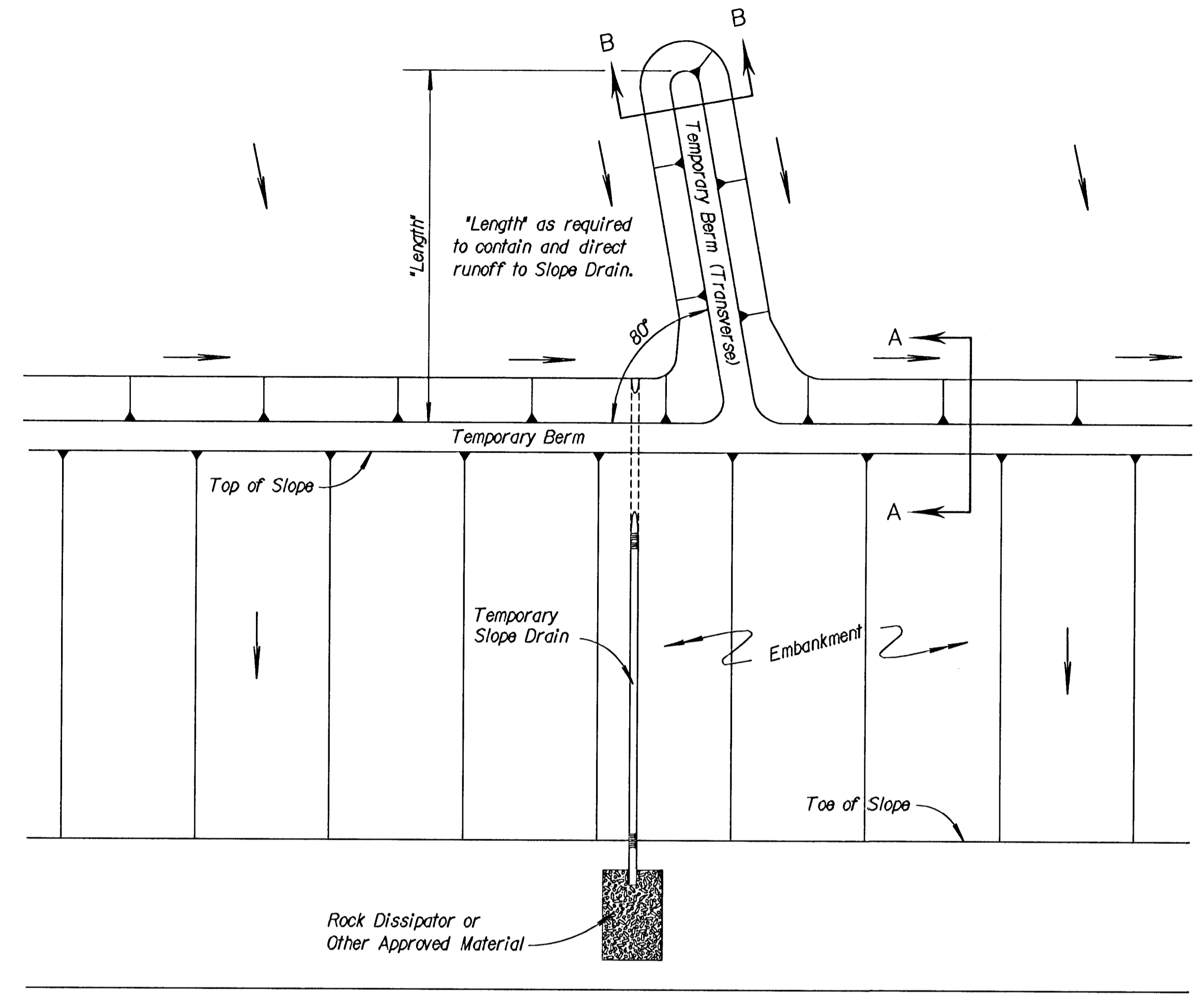
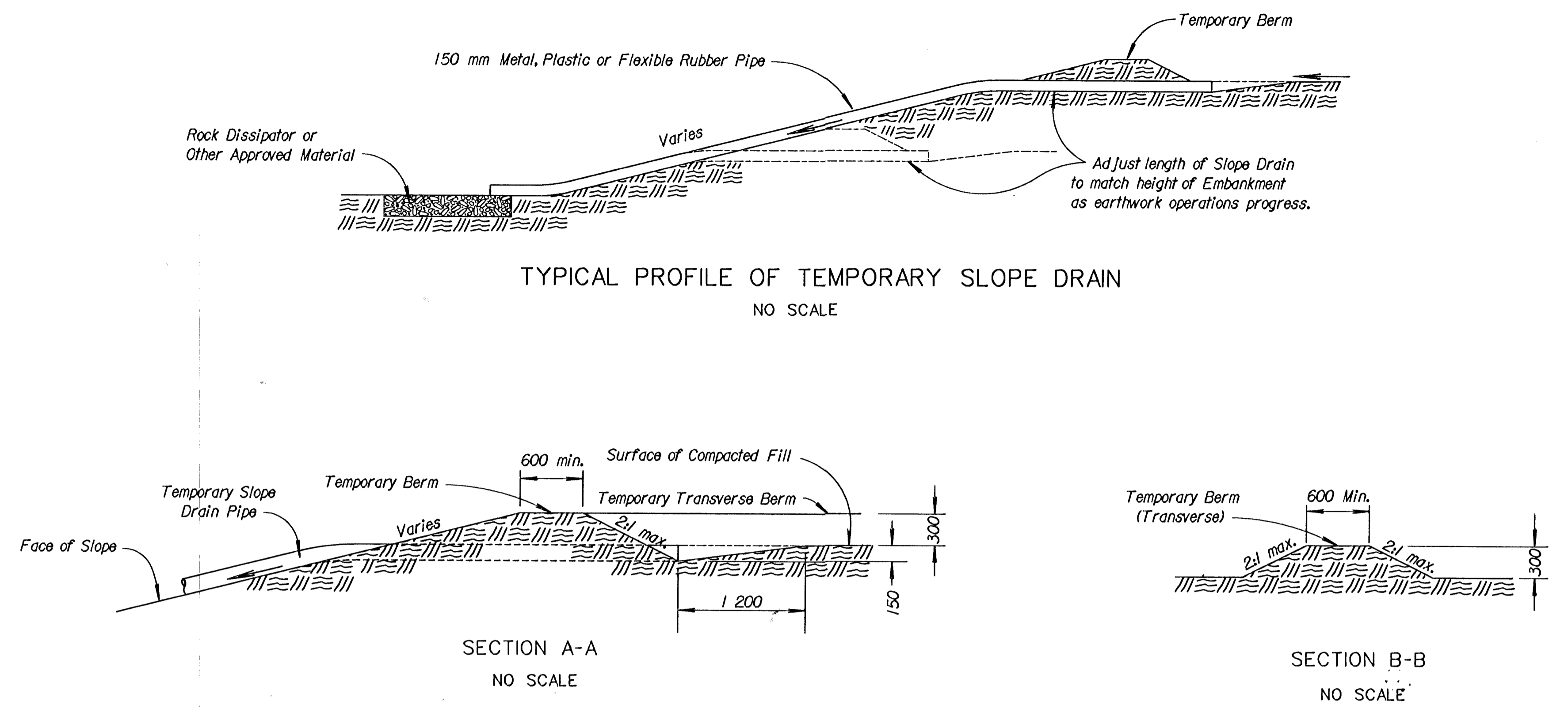


FHWA REGION NO.	STATE	PROJECT NO.	YEAR	SHEET NO.	TOTAL SHEETS
7	KANSAS	81N-0080-01	1997	81	162

- NOTES:
- 1) Temporary Slope Drain and Temporary Berm may be used on either project foreslopes or project backslopes.
  - 2) Discharge of Slope Drains shall be into stabilized ditch or area, or into Sediment Basin.
  - 3) Pipe shall be secured in place as approved by Engineer.

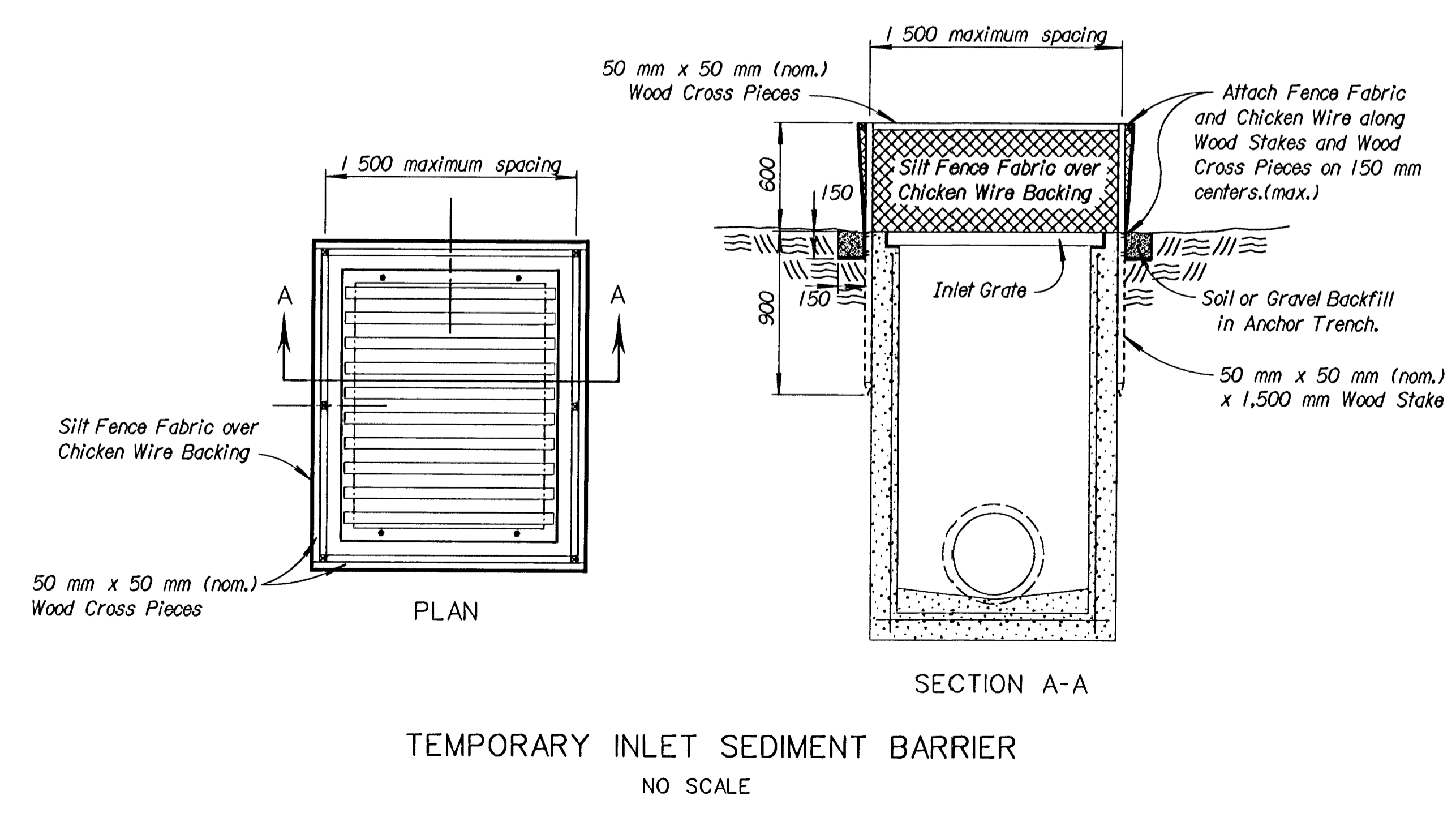


TYPICAL PLAN VIEW OF TEMPORARY BERM AND TEMPORARY SLOPE DRAIN  
NO SCALE

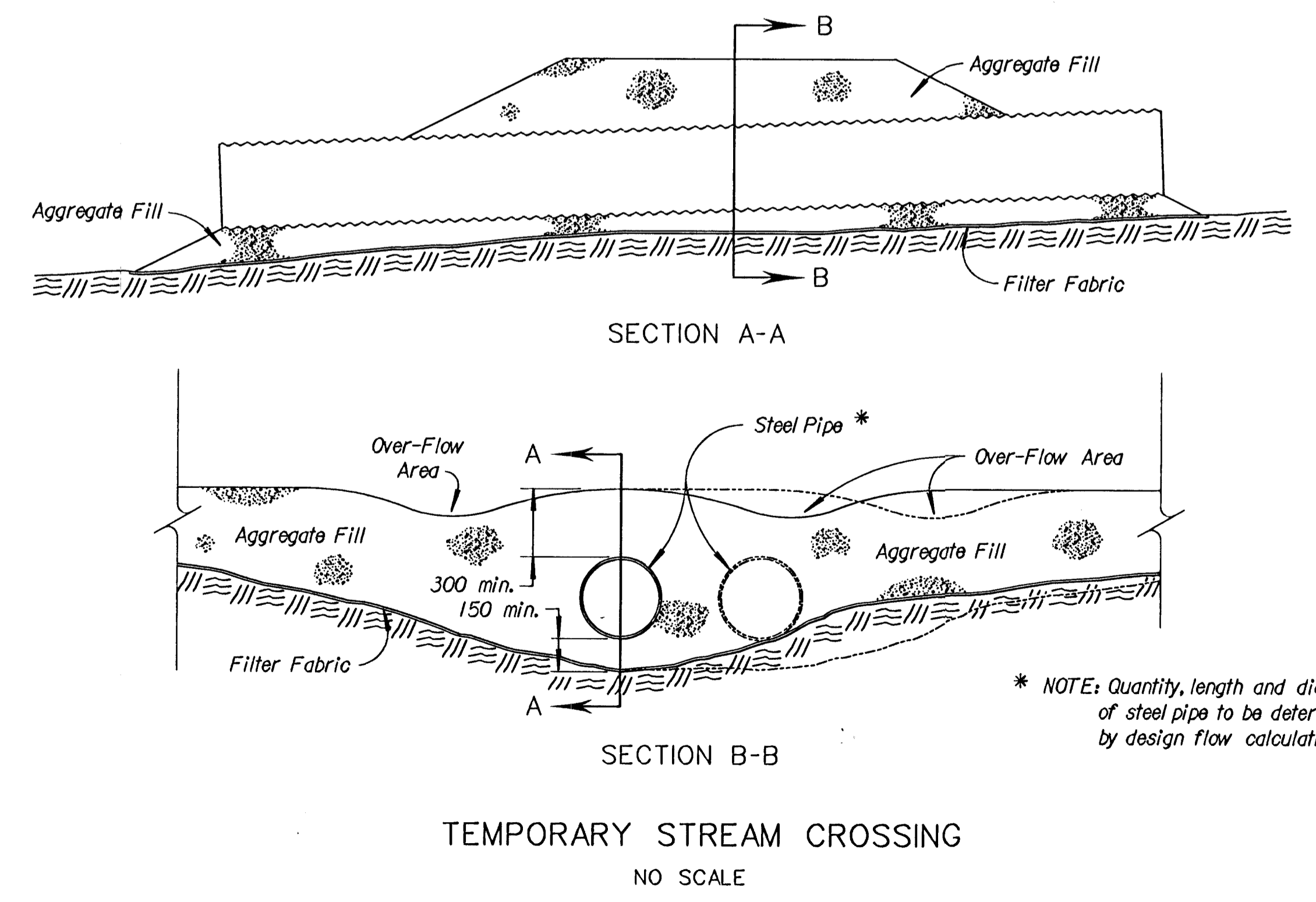


TYPICAL PROFILE OF TEMPORARY SLOPE DRAIN  
NO SCALE

TYPICAL PROFILE OF TEMPORARY BERM  
NO SCALE



TEMPORARY INLET SEDIMENT BARRIER  
NO SCALE



TEMPORARY STREAM CROSSING  
NO SCALE

\* NOTE: Quantity, length and diameter of steel pipe to be determined by design flow calculations.

Drawn By: \$\$\$USERNAME\$\$\$  
DGN File: \$\$\$DGNFILE\$\$\$  
Plotted: \$\$\$SYTIME\$\$\$ View: PLOT 1

3					
2					
1	7-5-95	Convert to SI		WCL	RDR
NO.	DATE	REVISIONS		BY	APP'D

KANSAS DEPARTMENT OF TRANSPORTATION  
TEMPORARY PROJECT WATER POLLUTION CONTROL  
TEMPORARY SLOPE DRAIN; STREAM CROSSING; INLET SEDIMENT BARRIER

LA852C SI  
F.H.W.A. APPROVAL 8-8-95 APP'D Richard D. Ross  
DESIGNED WCL DETAILED WCL QUANTITIES TRACED OAK  
DESIGN CK. RDR DETAIL CK. WCL QUAN. CK. TRACE CK. WCL