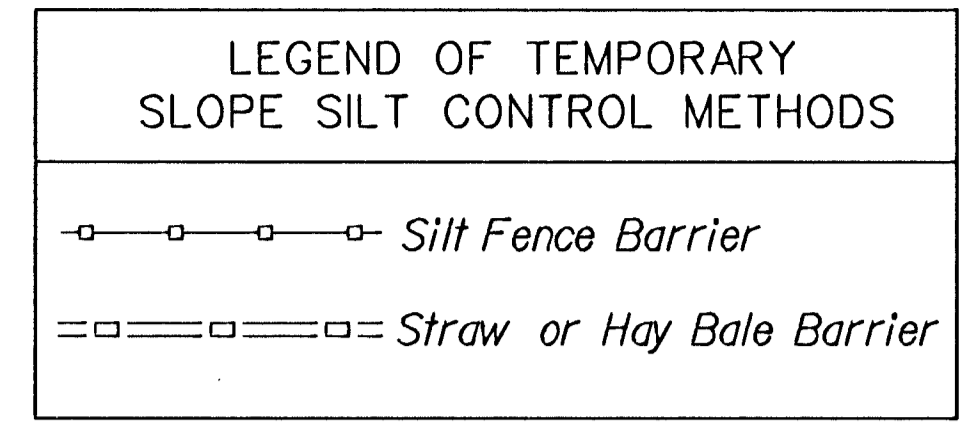
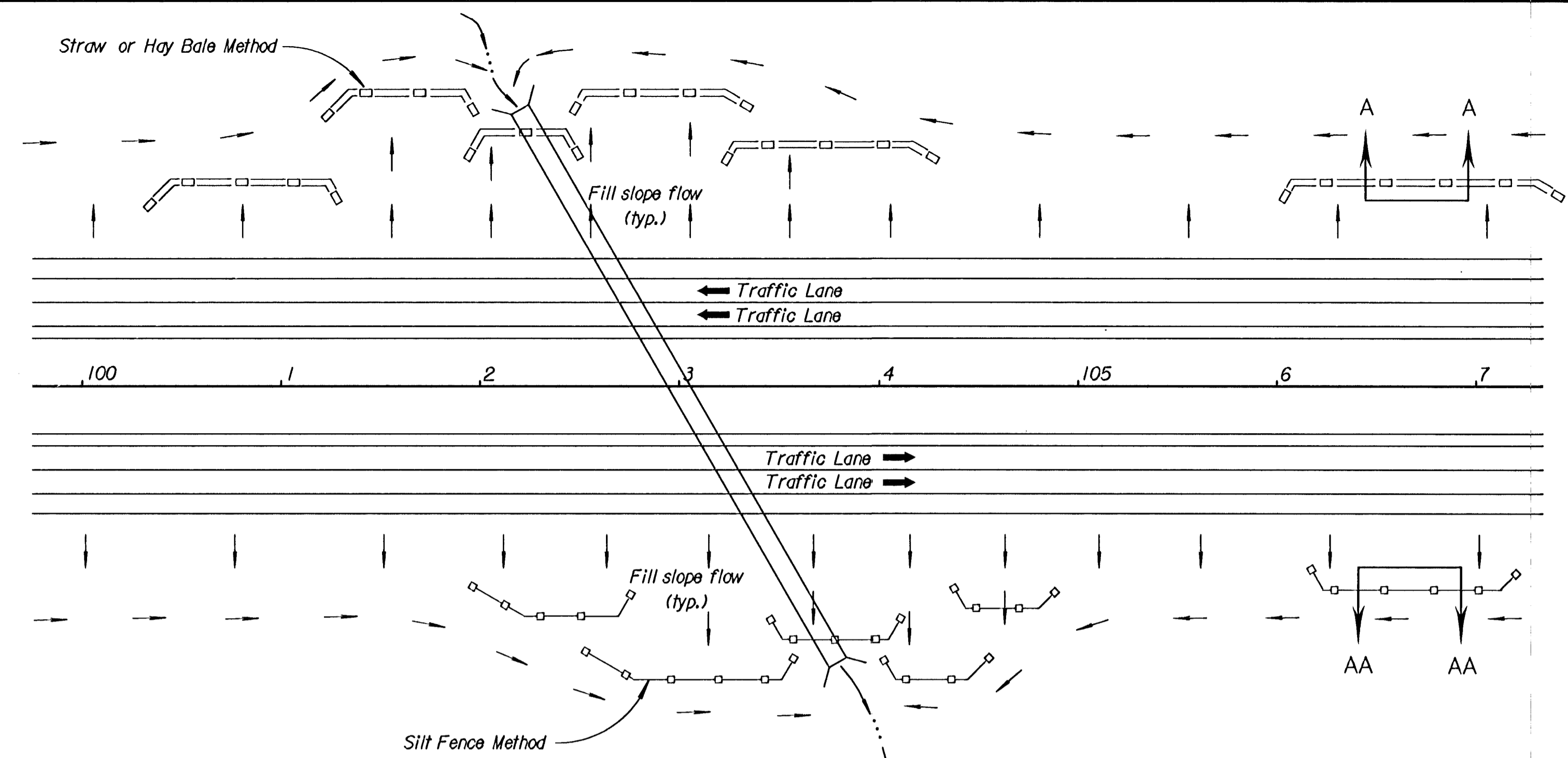


FHWA REGION NO.	STATE	PROJECT NO.	YEAR	SHEET NO.	TOTAL SHEETS
7	KANSAS	87N-0080-01	1997	82	162



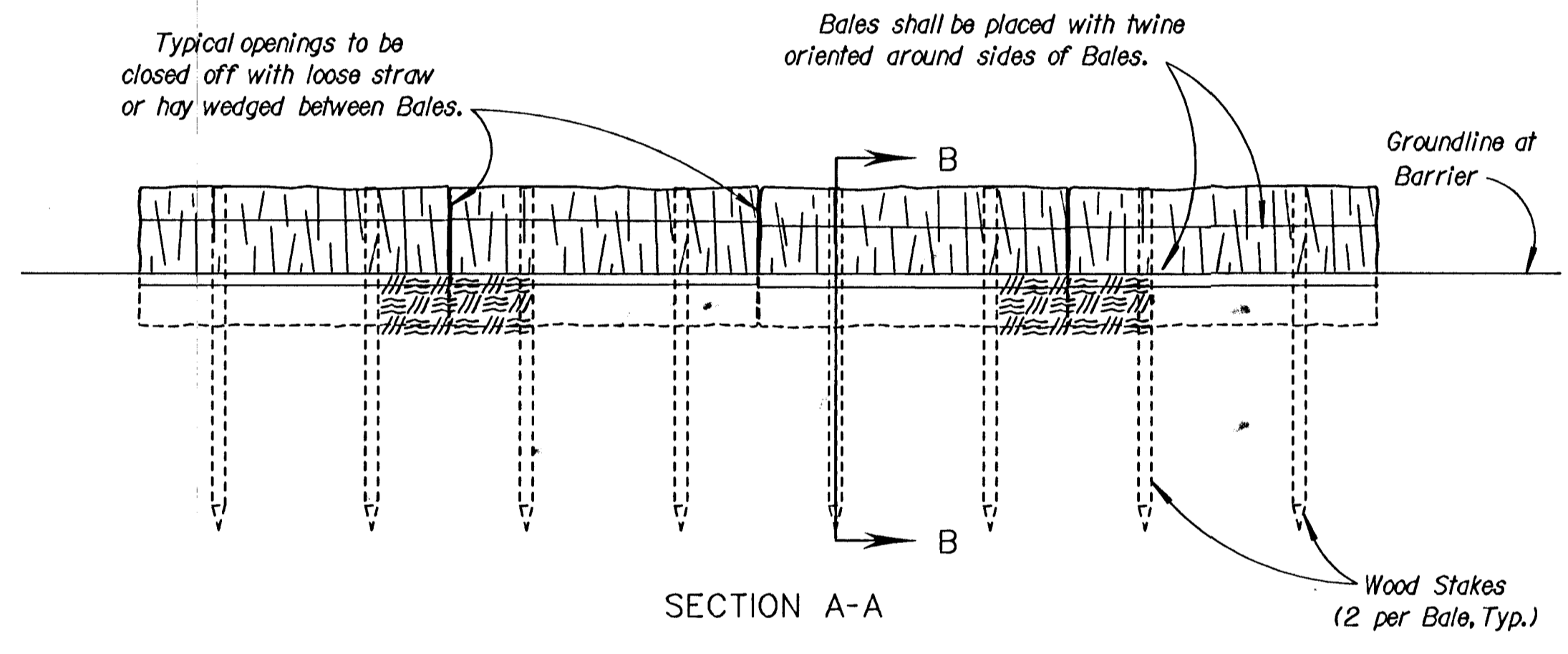
GENERAL NOTES

- 1) The usage of Straw or Hay Bales or Silt Fence is at the option of the Contractor. The symbols shown in the Typical Plan shall in no way be interpreted nor implied as to the usage of Slope Barrier Types.
- 2) The slope barriers shall be placed along contour lines, with a short section turned upgrade at each end of the barrier.
- 3) At culverts, the Straw or Hay Bales or Silt Fence shall be placed over the culvert, not through the streambed flowline.

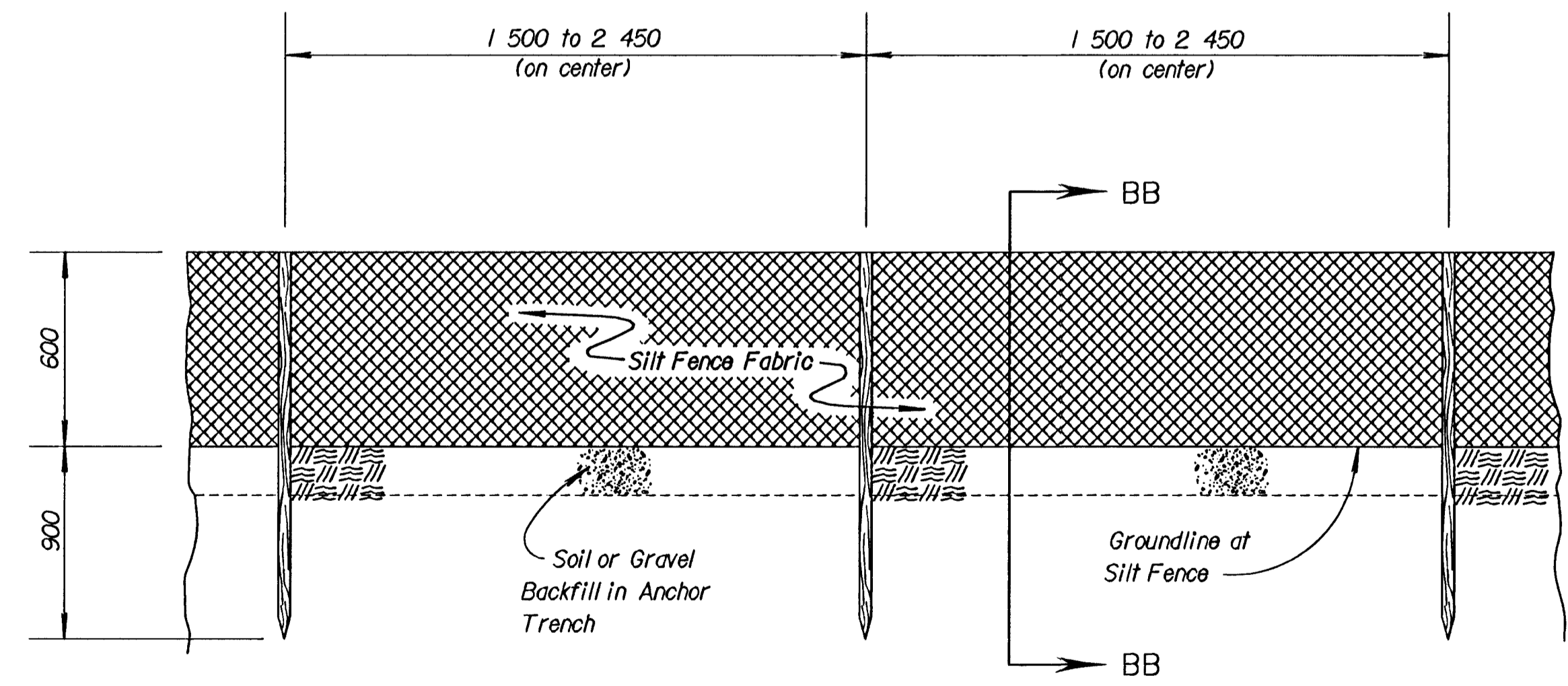
INSTALLATION NOTES

- STRAW OR HAY BALES:**
1. Place Bales tightly together, with loose straw or hay wedged between Bales to close off any openings.
  2. Wood Stakes shall be 50 mm x 50 mm (nom.) x 1,200 mm long (min.)
  3. Refer to plan sheets to estimate the linear footage of Bales required.
  4. Use only twine to bind bales. The use of wire binding is prohibited because it does not readily biodegrade.
- SILT FENCE:**
1. Wood Stakes shall be 50 mm x 50 mm (nom.) x 1,500 mm long (min.)
  2. Attach Fence Fabric to wood stakes with staples, wire, or nails.
  3. Refer to plan sheets to estimate the linear footage of Silt Fence required.

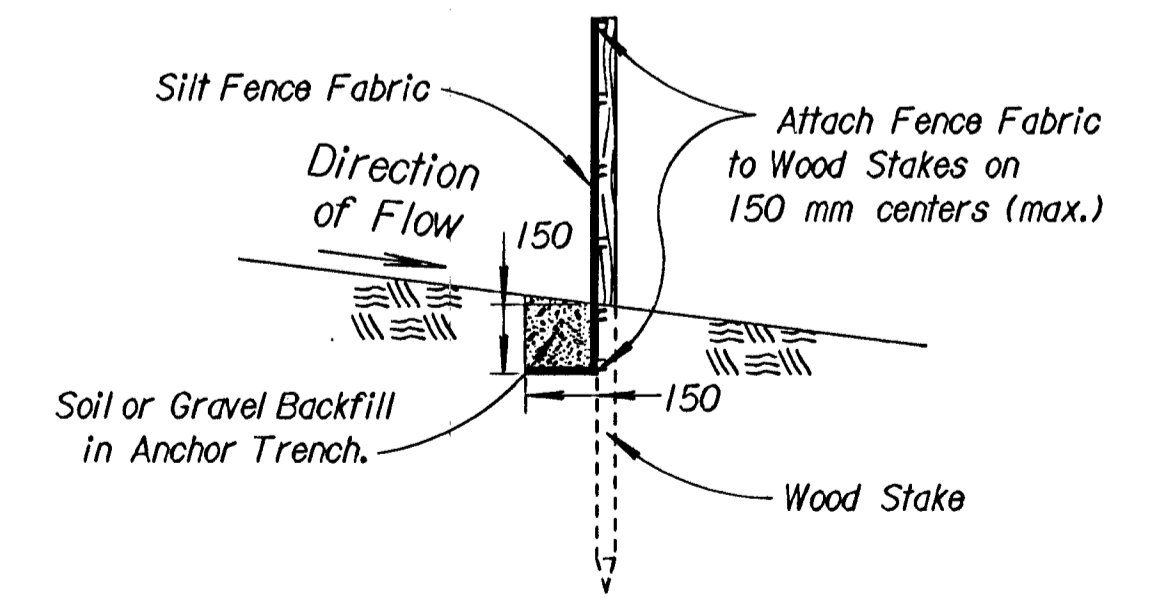
TYPICAL PLAN  
NO SCALE



STRAW BALE SLOPE BARRIER  
NO SCALE



SECTION AA-AA  
SILT FENCE SLOPE BARRIER  
NO SCALE



SECTION BB-BB

Drawn By: \$\$\$USERNAME\$\$\$  
 DGN File: \$\$\$DGNFILENAME\$\$\$  
 Plotted: \$\$\$SYTIME\$\$\$ View= PLOT 1

3					
2					
1	7-5-95	Convert to SI		WCL	RDR
NO.	DATE	REVISIONS		BY	APP'D

**KANSAS DEPARTMENT OF TRANSPORTATION**  
**TEMPORARY PROJECT WATER POLLUTION CONTROL**  
**STRAW OR HAY BALE SLOPE BARRIERS**  
**SILT FENCE SLOPE BARRIERS**

LA852D SI

F.H.W.A. APPROVAL	8-8-95	APP'D	Richard D. Ross
DESIGNED	WCL	DETAILED	WCL
QUANTITIES	TRACED	DAK	
DESIGN CK.	RDR	DETAIL CK.	WCL
QUAN. CK.	TRACE CK.	WCL	