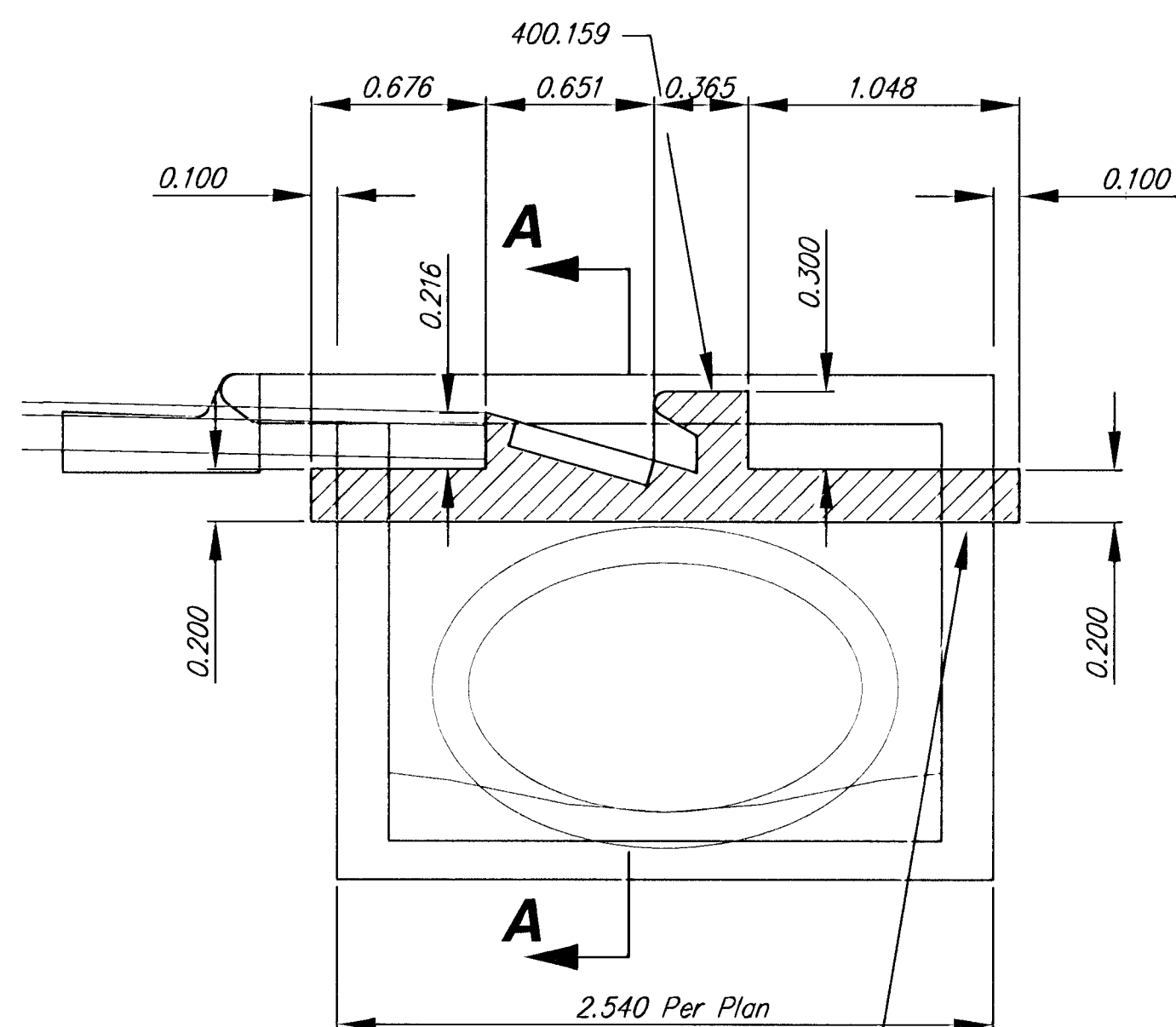
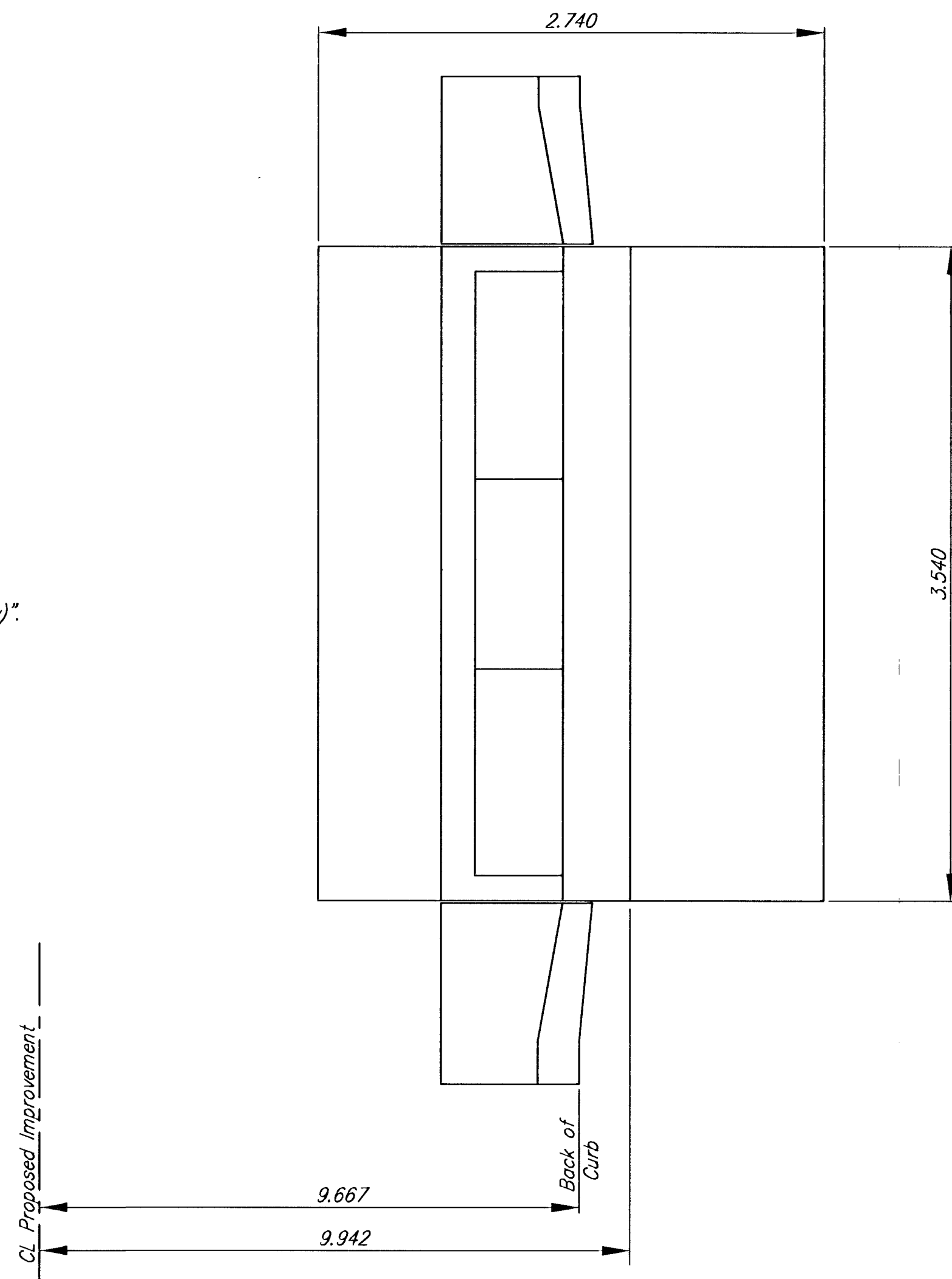


FHWA REGION NO.	STATE	PROJECT NUMBER	FISCAL YEAR	SHEET NUMBER	TOTAL SHEETS
7	KANSAS	87N-0128-01		53	118

DATE	BY	REFERENCES NOTED	REFERENCES CHECKED

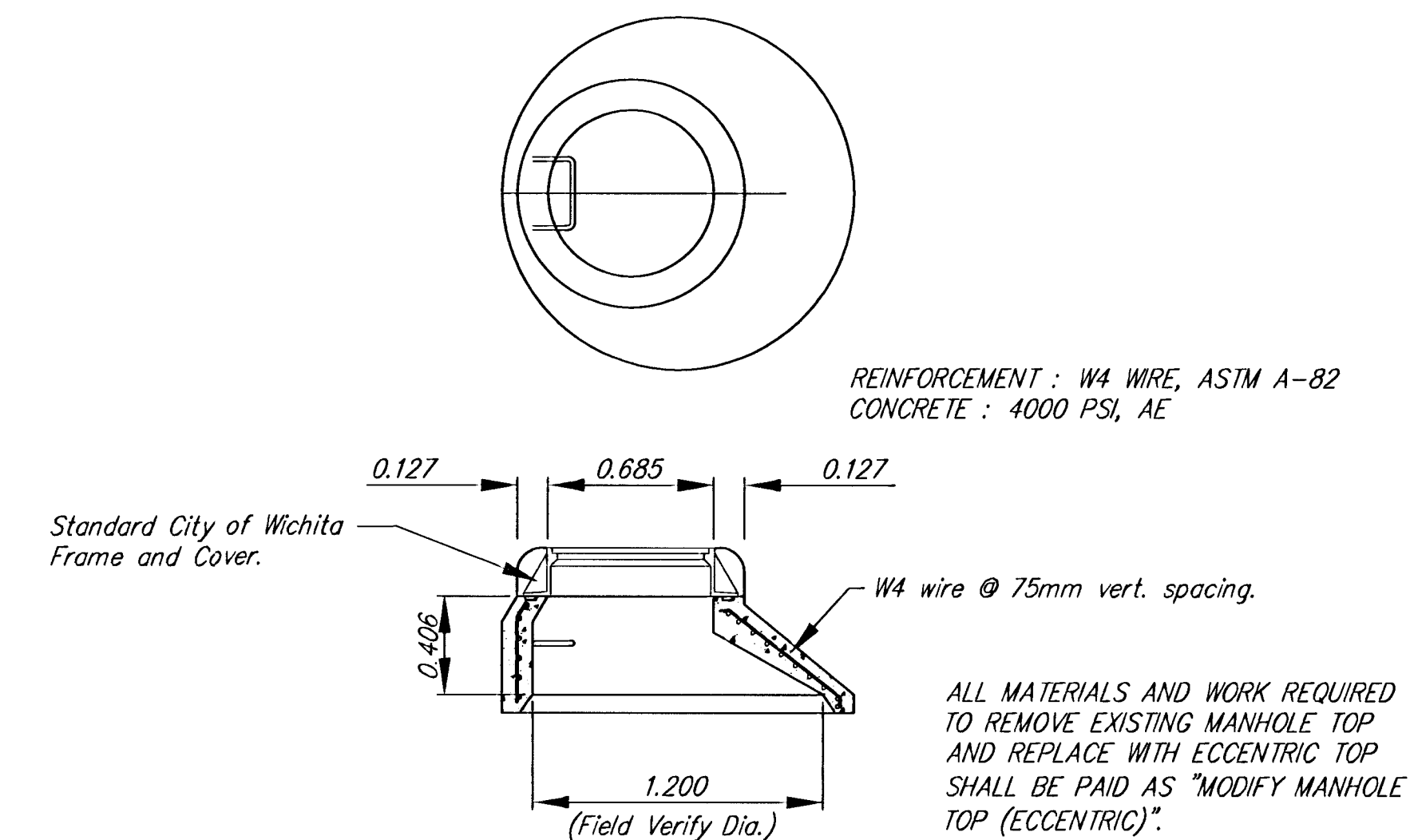
GENERAL NOTES

1. Contractor shall contract concrete fabrication company to cast proposed inlet tops.
2. Fabricator to be responsible for structural detailing of inlet tops. (H2O Loading)
3. Contractor shall field verify dimensions of existing inlets prior to fabrication.
4. Contractor shall be responsible for submitting shop drawings to City of Wichita for review.
5. Each inlet top shall be paid as "Inlet Top (Type 2-R)(Modify)".

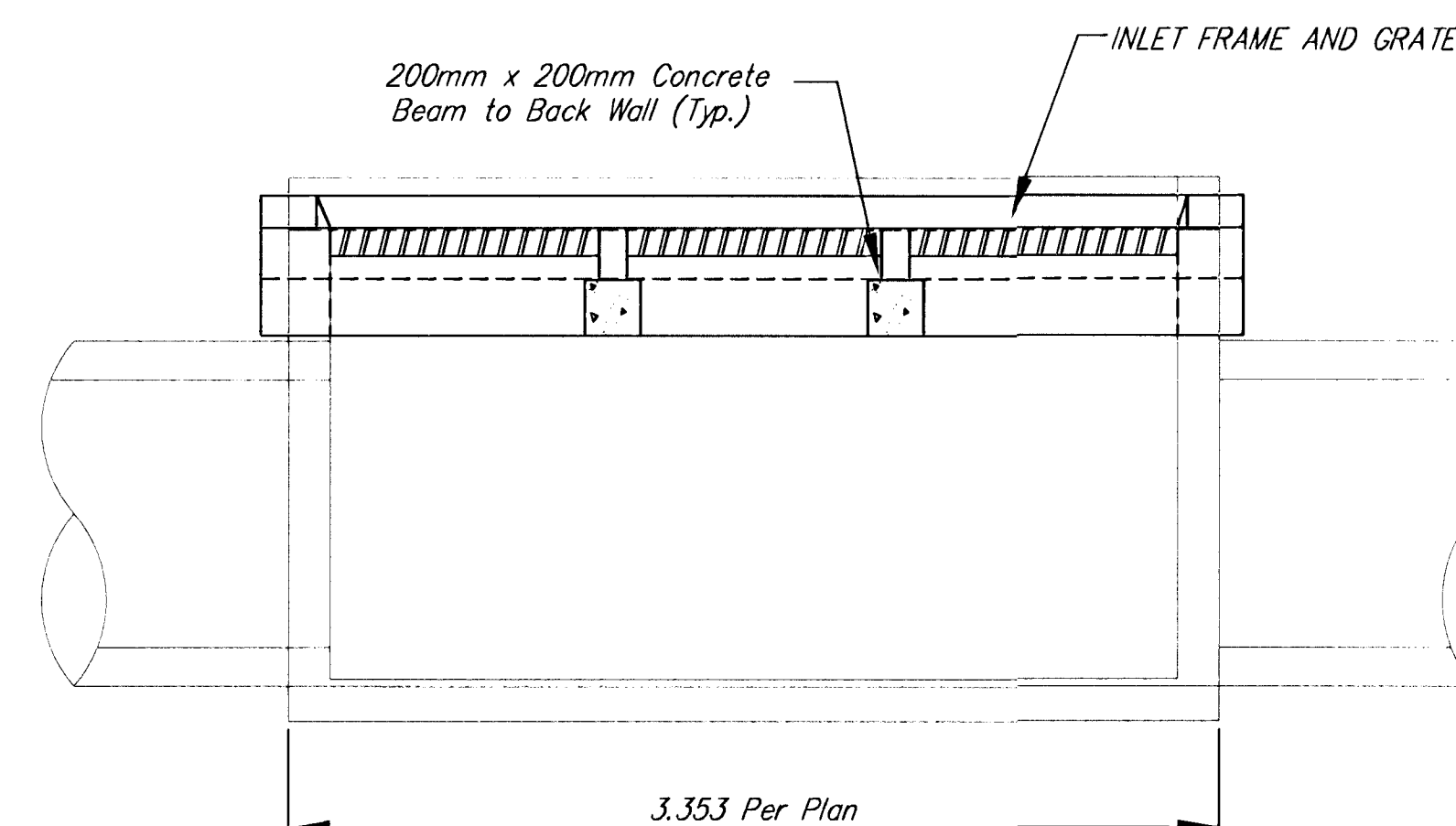


REMOVE INLET TOP, CUT AND REMOVE TOP OF STRUCTURE. (ALL CONCRETE)

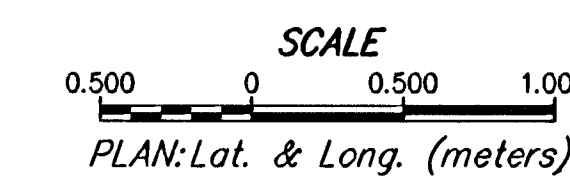
STA. 5+5321.257 RIGHT



ECCENTRIC MANHOLE TOP



SECTION A-A



INLET MODIFICATION DETAIL					
	924 NORTH MAIN WICHITA, KANSAS 67203		316-264-8008 FAX: 316-44021		<small>REVISED</small> <small>DATE</small> <small>BY</small>
	http://www.feist.com/~srb		E-Mail: sr@feist.com		
SAVOY, RUGGLES & BOHM, P. A. ENGINEERING & SURVEYING					
PROJECT NUMBER					
472-76-245-83057-000-000-001					
<small>DRAWN</small>	<small>DESIGN</small>	<small>REVIEW</small>	<small>DATE</small>	<small>UTILITY</small>	<small>SRB JOB</small>
JRA	CMB		Dec. 13, 2000		1218T

53
118