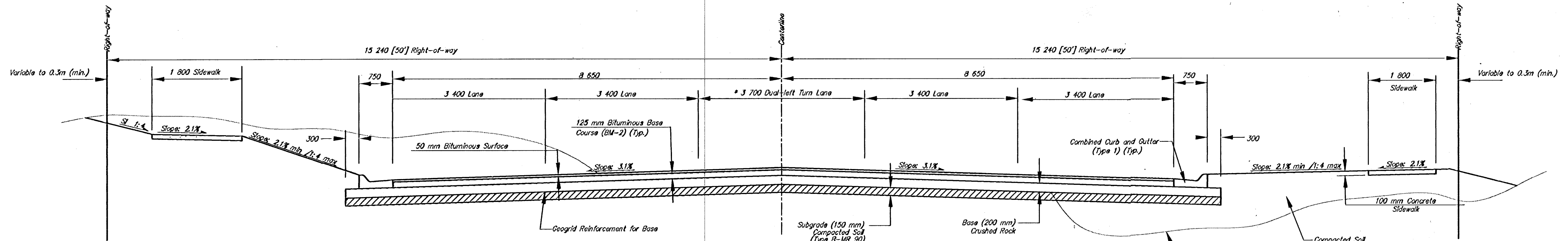
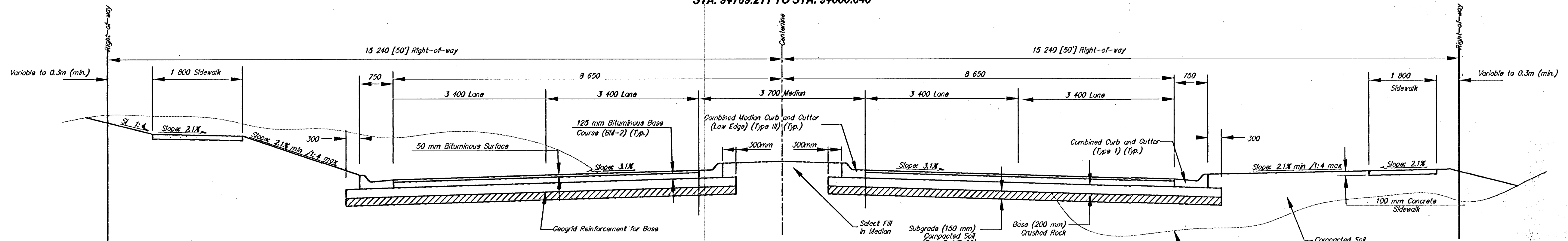


BY	DATE
REFERENCES NOTED	
REFERENCES CHECKED	

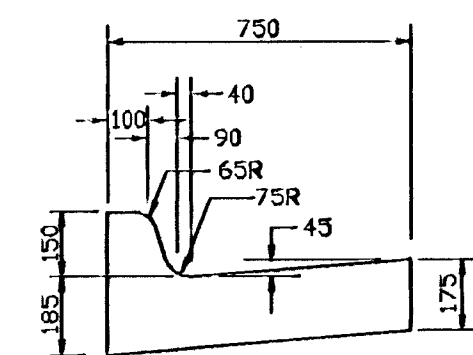
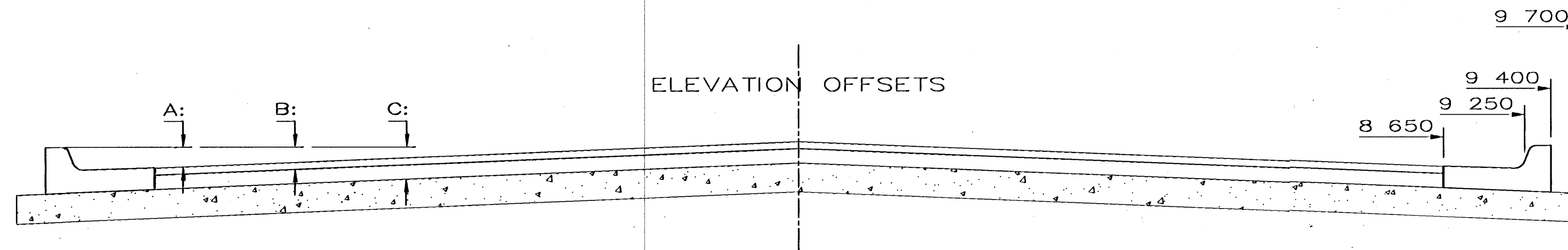


* TAPERS FROM 0m AT STA. 9+179.619 TO 3.7m AT STA. 9+769.211
 TAPERS FROM 3.7m AT STA. 9+441.162 TO 0m AT STA. 9+522.689

**TYPICAL SECTION
 (18 800 B-B) (No Median)**
 STA. 8+587.425 TO STA. 8+701.881
 STA. 8+774.195 TO STA. 8+853.895
 STA. 8+931.109 TO STA. 9+008.170
 STA. 9+092.627 TO STA. 9+217.344
 STA. 9+300.725 TO STA. 9+522.689
 STA. 9+769.211 TO STA. 9+880.040

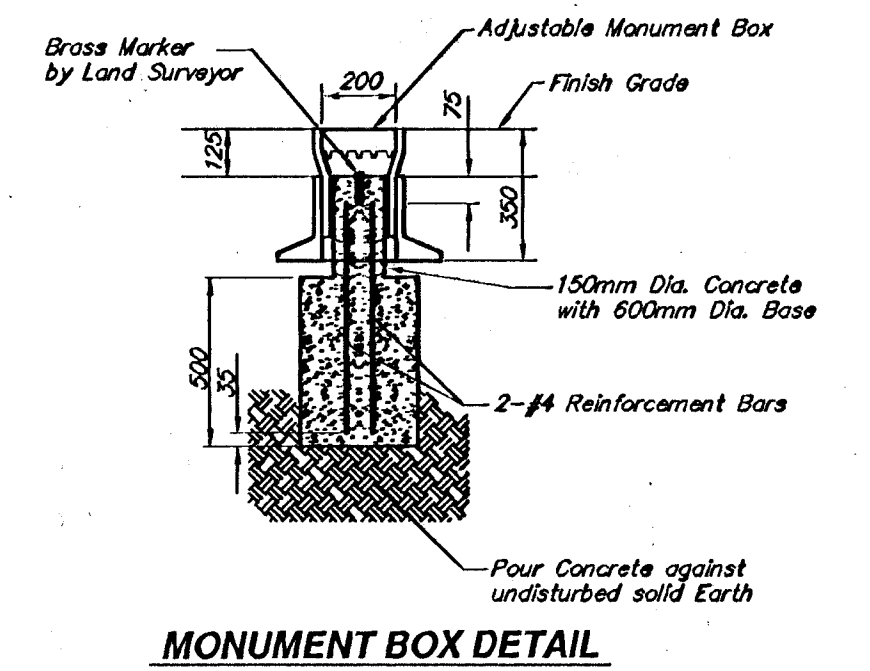


**TYPICAL SECTION
 (18 800 B-B) (Medlan)**
 STA. 8+701.881 TO STA. 8+774.195
 STA. 8+853.895 TO STA. 8+931.109
 STA. 9+008.170 TO STA. 9+092.627
 STA. 9+217.344 TO STA. 9+300.725



COMBINED CURB & GUTTER

	DISTANCE FROM CENTERLINE (L.T. & RT.)																		
	0	800	1 200	1 800	2 400	3 000	3 600	4 200	4 800	5 400	6 000	6 600	7 200	7 800	8 400	8 850	9 250	9 400	9 700
A: Top of Curbs to Top of Surface Lift	-163	-145	-126	-107	-89	-70	-52	-33	-14	4	23	41	60	79	97	105	-	-	-
B: Top of Curbs to Top of Upper Base Lift	-113	-95	-76	-57	-39	-20	-2	17	36	54	73	91	110	129	147	155	-	-	-
C: Top of Curbs to Top of C.R. Subgrade	12	30	49	68	86	105	123	142	161	171	198	216	235	254	272	280	325	335	355



MONUMENT BOX DETAIL

MAPLE IMPROVEMENTS - 135TH ST. W. TO 119TH ST.
TYPICAL SECTIONS

SRB 924 NORTH MAIN WICHITA, KANSAS 67203 316-264-8000
 www.srb.com FAX: 316-448-2111 E-Mail: srbsrb@srb.com

SAVOY, RUGGLES & BOHM, P. A.
 ENGINEERING & SURVEYING

PROJECT NUMBER: 472-76-245-83262-000-000-001

DRAWN: JDS REVISION: JDS REVIEW: JDS DATE: Sept. 24, 2001 UTILITY: SIB JOB: 1217T

127