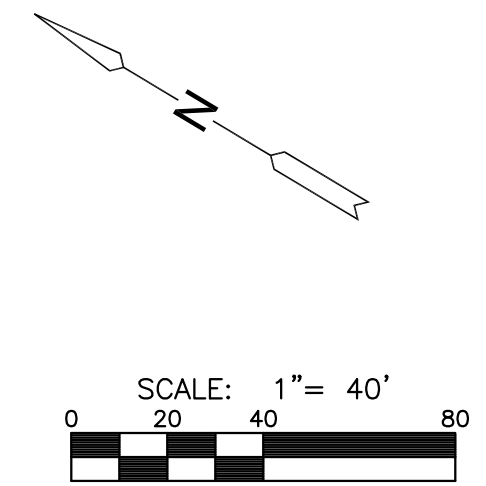
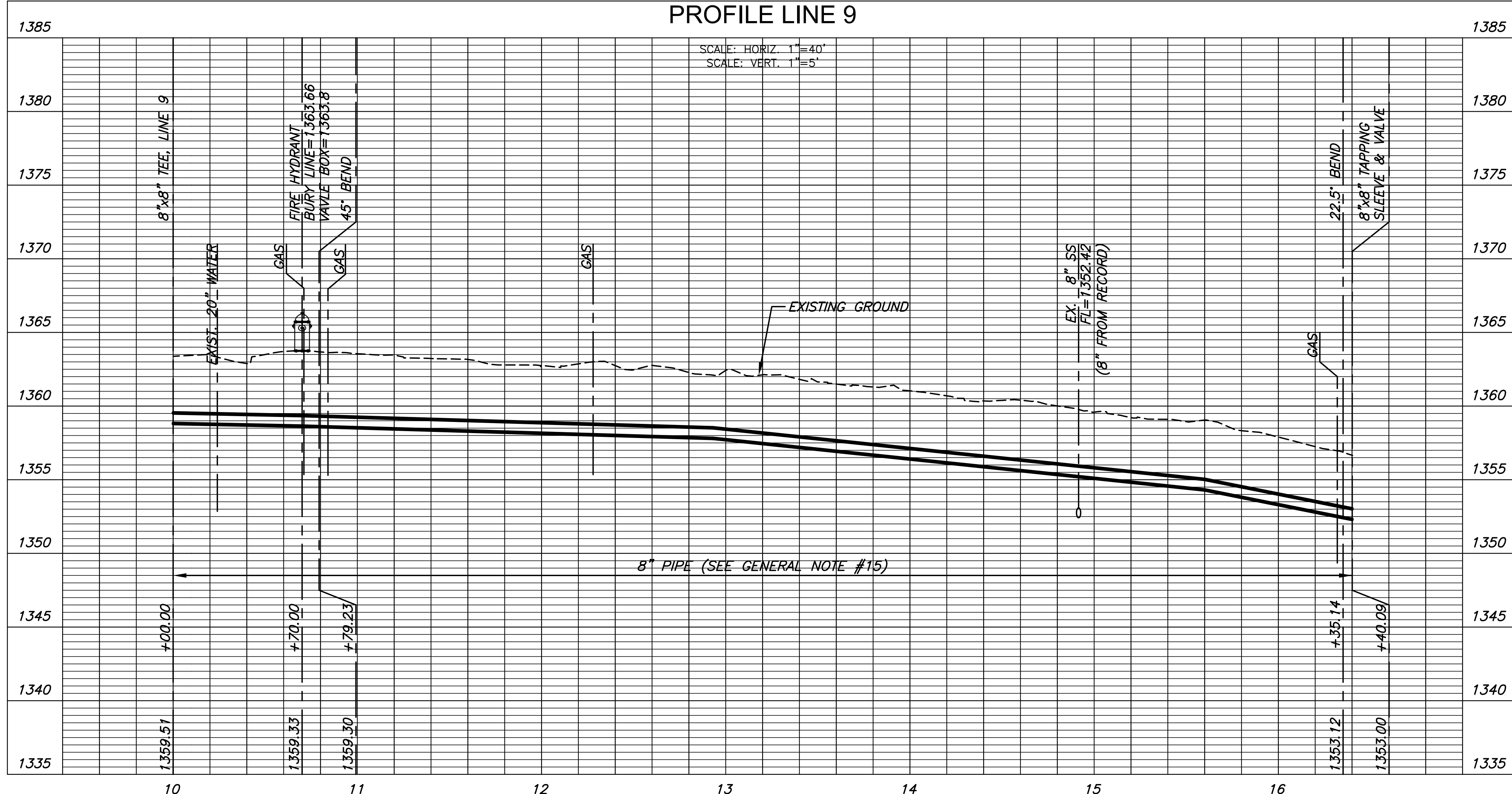


NOTE:
CONTRACTOR TO VERIFY LOCATION
AND ELEVATION OF EXIST. WATER
LINES AND ALL OTHER UTILITIES
PRIOR TO CONSTRUCTION.



PLAN LINE 9
PROFILE LINE 9



WATER LINE REPLACEMENT PLANS
EASTBOROUGH NORTH
 DESIGN



©2013 MKEC Engineering All Rights Reserved
www.mkec.com
These drawings and their contents, including, but not limited to, all concepts, designs, & ideas are the exclusive property of MKEC Engineering (MKEC), and may not be used or reproduced in any way without the express consent of MKEC.

LINE 9		
PROJECT NO.	448-90610	
DATE	SEPT. 2017	
SCALE	AS SHOWN	
DESIGNED	DRAWN	
JTC	DM	
CHECKED	JRA	
NO.	REVISION	DATE
SHEET NO.		
34 OF 77		

J:\PROJECTS\2013\1301010713_COW EASTBOROUGH NORTH WATER REPLACEMENT\CAD\WTR\1313_C17.DWG