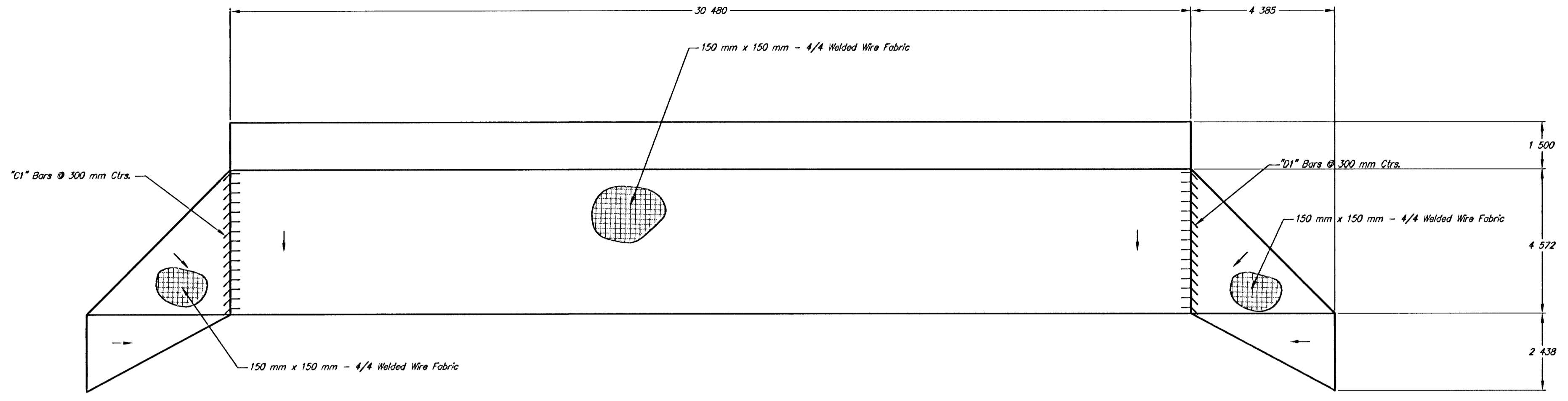
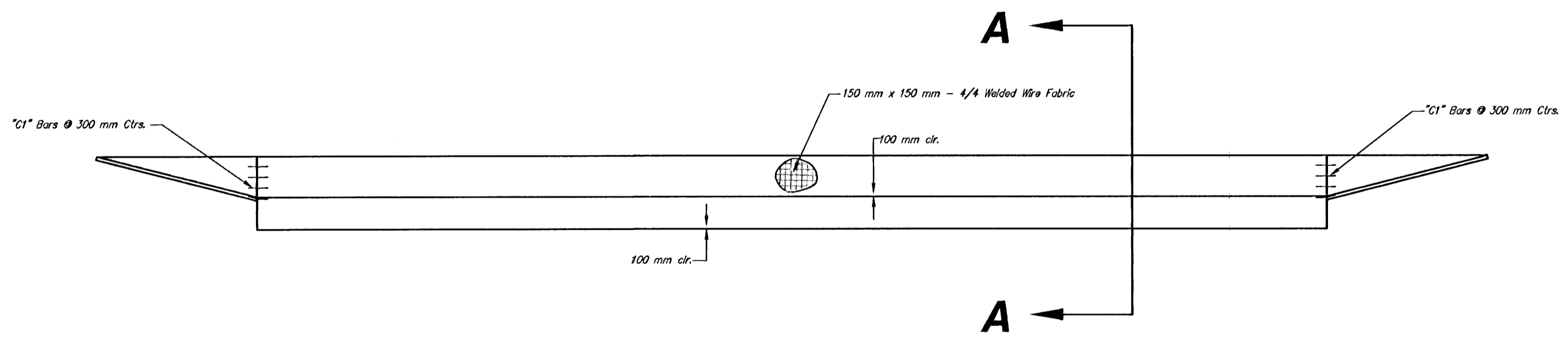


FHWA REGION NO.	STATE	PROJECT NUMBER	FISCAL YEAR	SHEET NUMBER	TOTAL SHEETS
7	KANSAS	87N-0195-01	2001	46	127

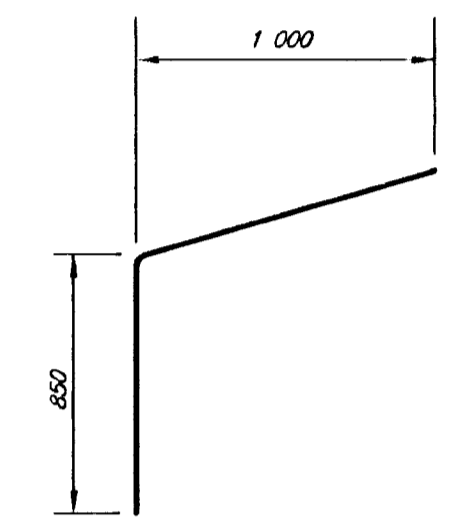
BY	DATE



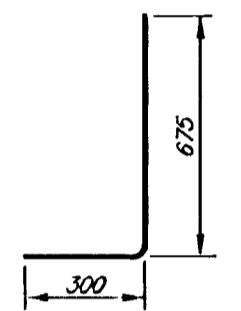
**PLAN**  
NO SCALE



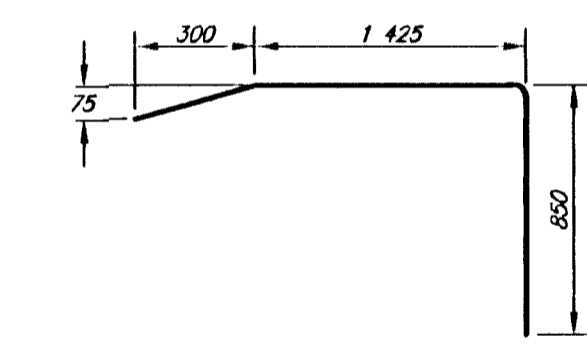
**FRONT**  
NO SCALE



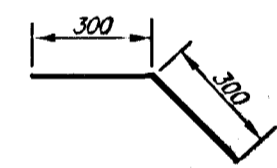
**"A1" BARS**



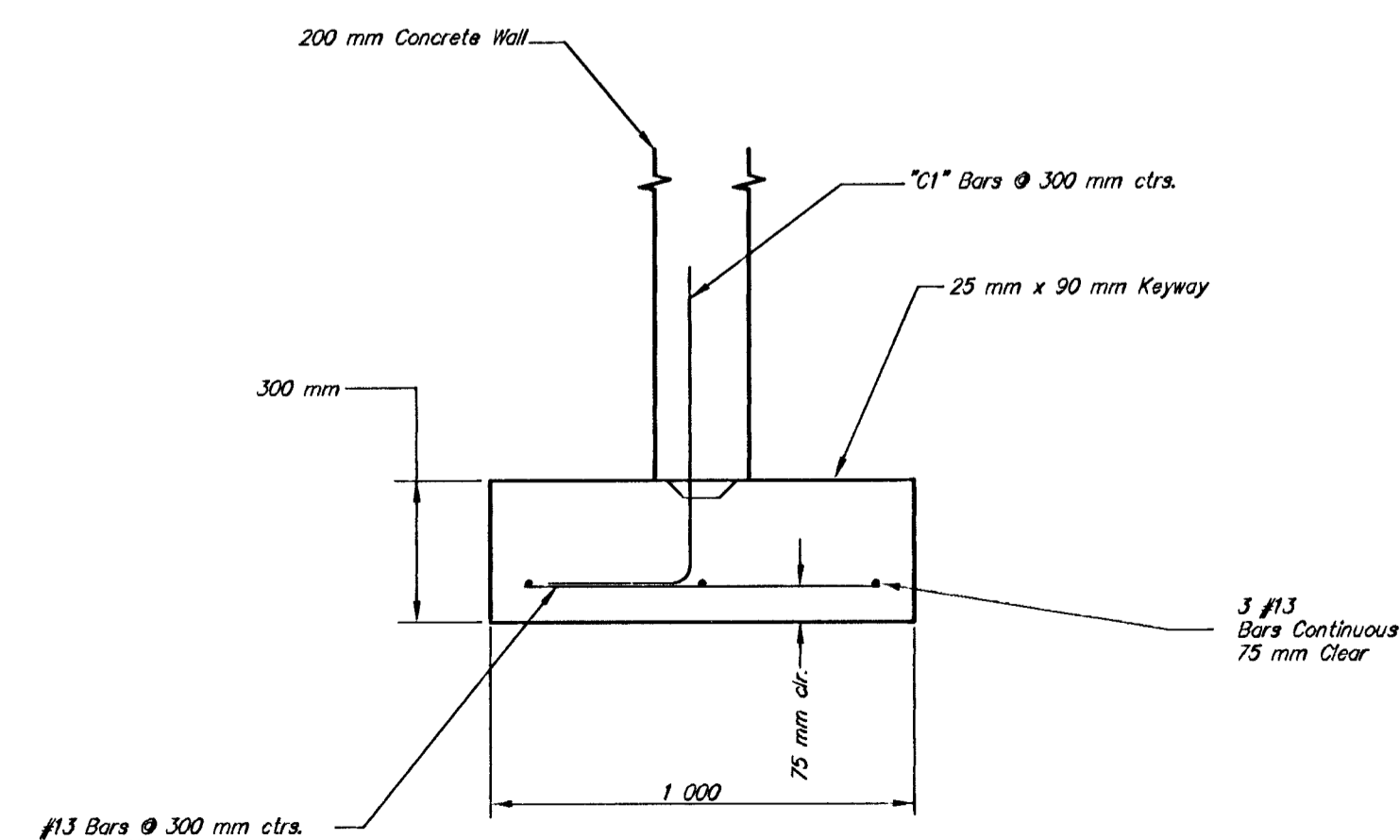
**"C1" BARS**



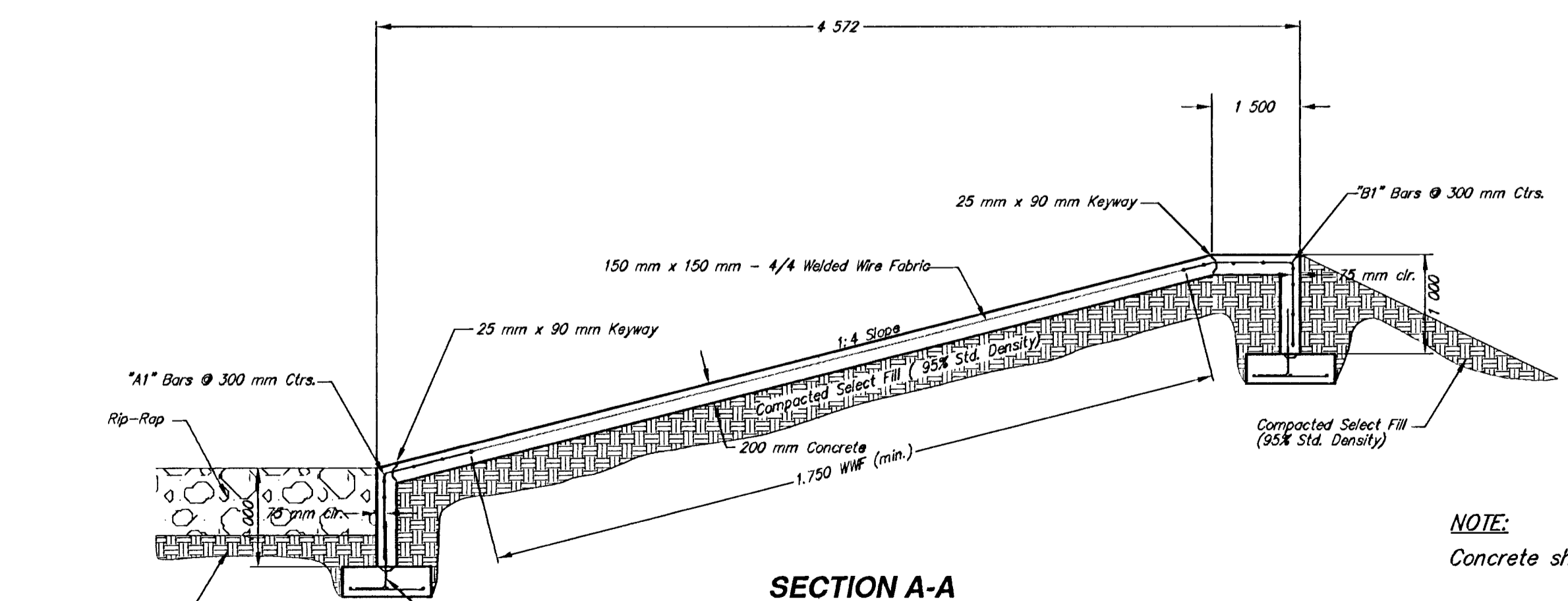
**"B1" BARS**



**"D1" BARS**



**FOOTING**  
NO SCALE



**SECTION A-A**  
NO SCALE

**NOTE:**  
Concrete shall be 3500 psi air entrained.

MAPLE IMPROVEMENTS - 135TH ST. W. TO 119TH ST. W.  
WEIR DETAIL

		224 NORTH MAIN WICHITA, KANSAS 67203 www.srb.com	318-264-8008 FAX 318-264-4621 E-Mail: srbsrb@srbi.com	REVISIONS 46
<b>SAVOY, RUGGLES &amp; BOHM, P. A.</b> ENGINEERING & SURVEYING				SHEET NO. 46
PROJECT NUMBER 472-76-245-83262-000-000-001				TOTAL SHEETS 127
DRAWN TEB	DESIGN JDS	REVIEW DATE Sept. 27, 2001	UTILITY SRB JOB 1217T	SHEET NO. 46