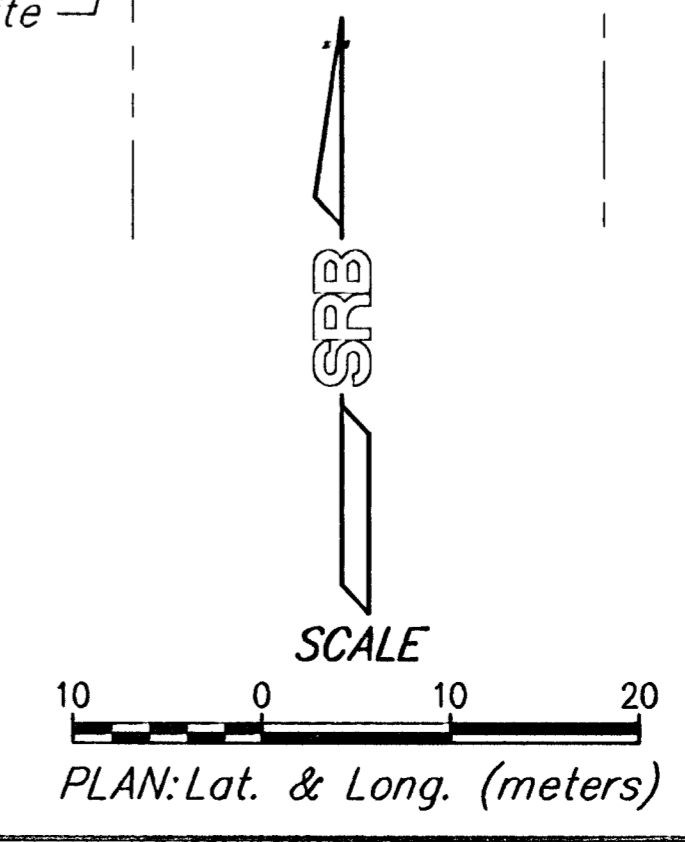
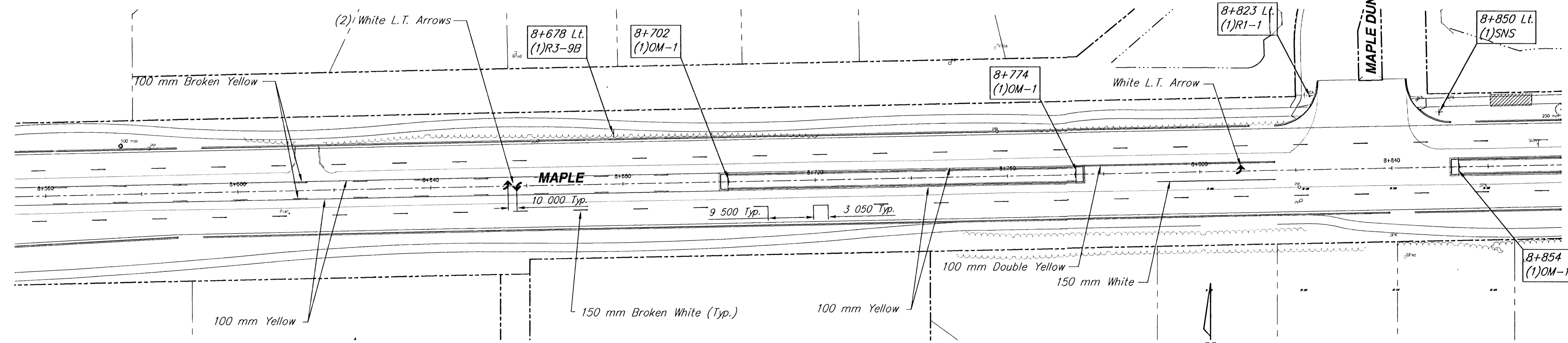
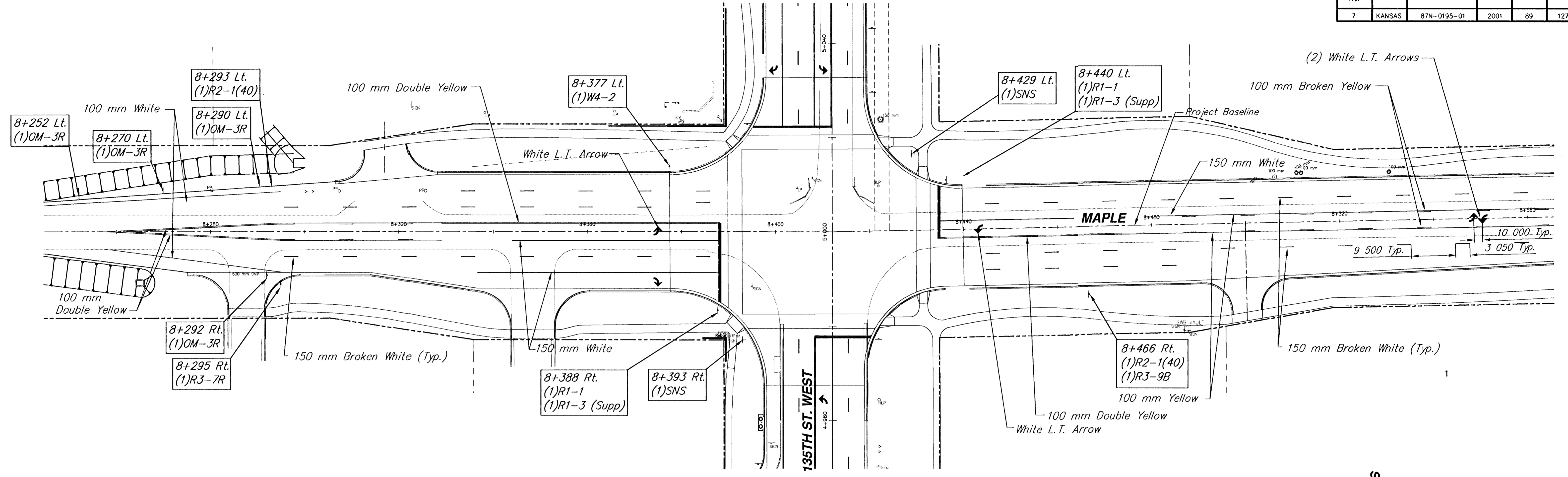


FHWA REGION NO.	STATE	PROJECT NUMBER	FISCAL YEAR	SHEET NUMBER	TOTAL SHEETS
7	KANSAS	87N-0195-01	2001	89	127

BY	DATE

REFERENCES NOTED	REFERENCES CHECKED



PAVEMENT MARKING AND SIGNAGE
MAPLE - 135TH TO 119TH STREET WEST

SRB		324 NORTH MAIN WICHITA, KANSAS 67203 www.srb.com	316-264-8008 FAX 264-4621 C-Cell: sr@srb.com
SAVOY, RUGGLES & BOHM, P. A. ENGINEERING & SURVEYING			
PROJECT NUMBER 472-76-245-83262-000-000-001			
DRAWN JRA	DESIGN JDS	REVIEW Nov. 6, 2001	UTILITY SRB JOB 1217T

89
127