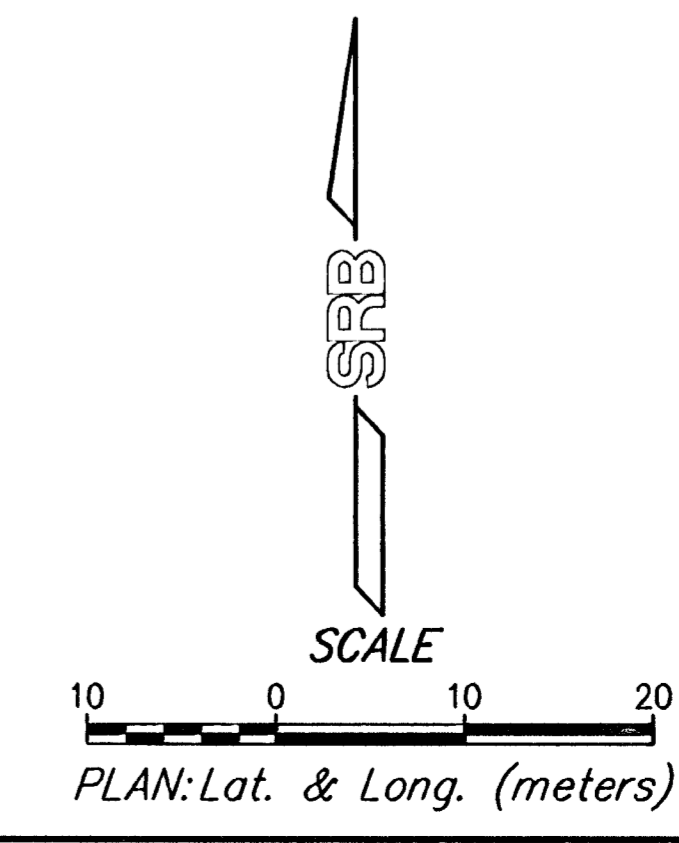
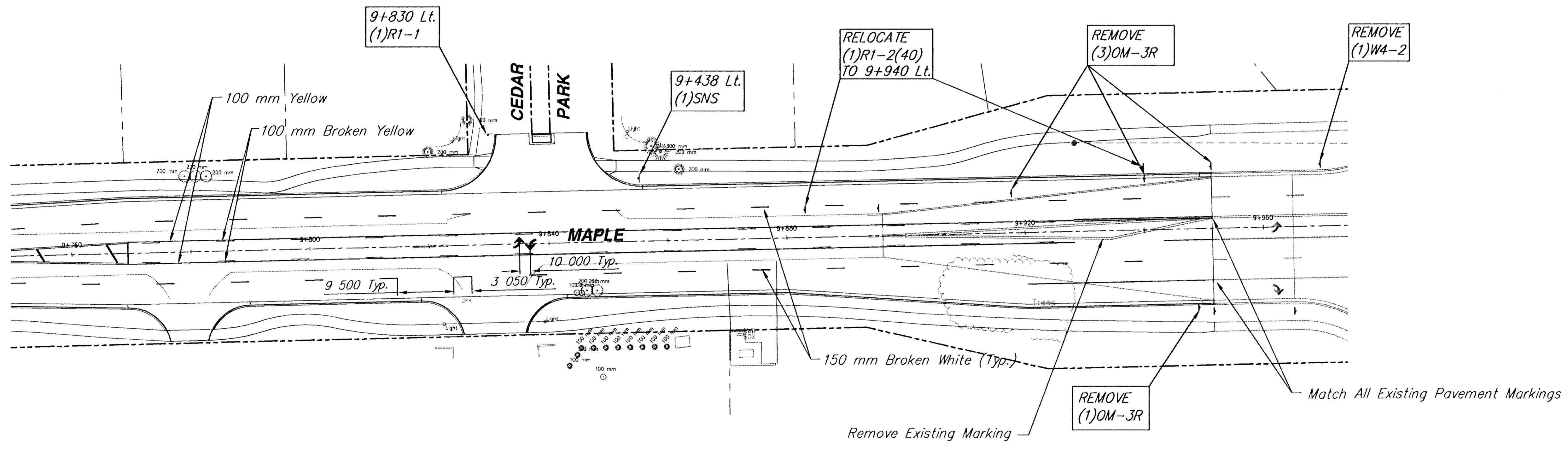
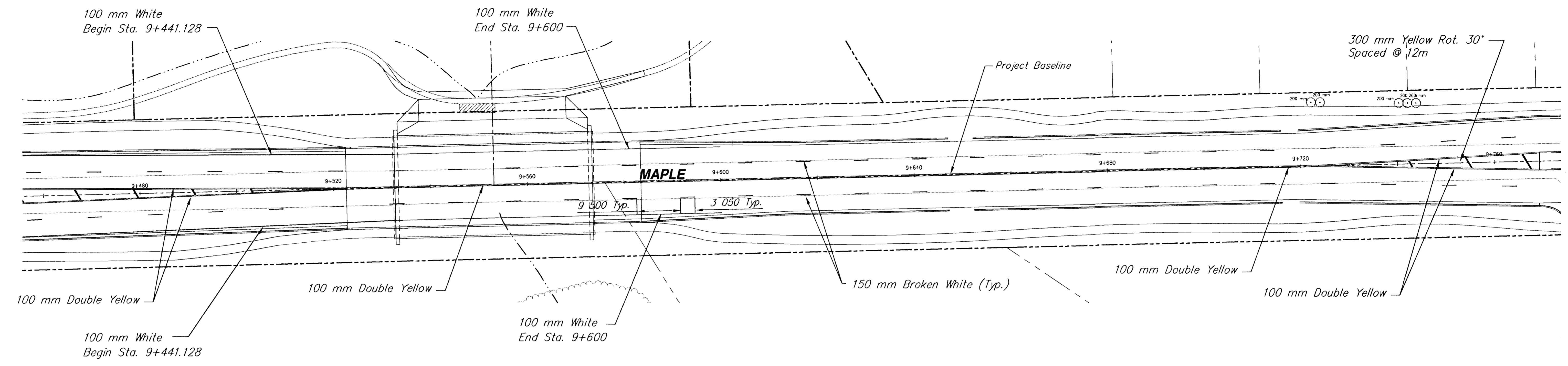


FHWA REGION NO.	STATE	PROJECT NUMBER	FISCAL YEAR	SHEET NUMBER	TOTAL SHEETS
7	KANSAS	87N-0195-01	2001	91	127

BY	DATE



PAVEMENT MARKING AND SIGNAGE MAPLE - 135TH TO 119TH STREET WEST					
<b>SRB</b>	924 NORTH MAIN WICHITA, KANSAS 67203 www.srb.com	316-264-8008 FAX 316-4821 E-Mail: srbs@srb.com	PROJECT NUMBER 472-76-245-83262-000-001	DATE Nov. 6, 2001	SRB JOB 1217T
DESIGNED BY JRS	CHECKED BY JRS	DATE Nov. 6, 2001	UTILITY 		

91  
127