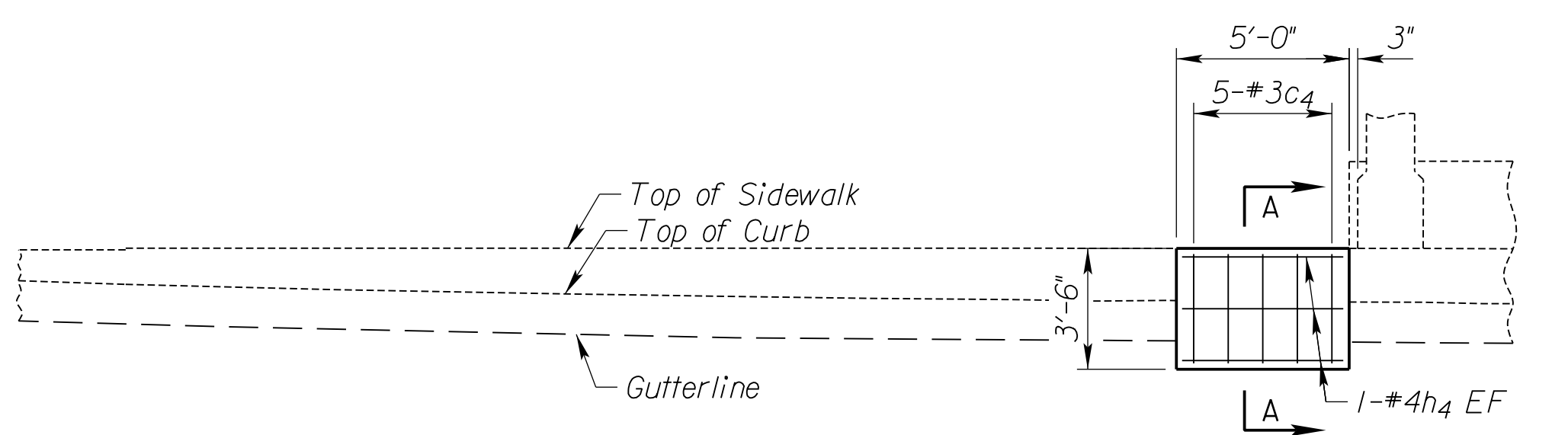
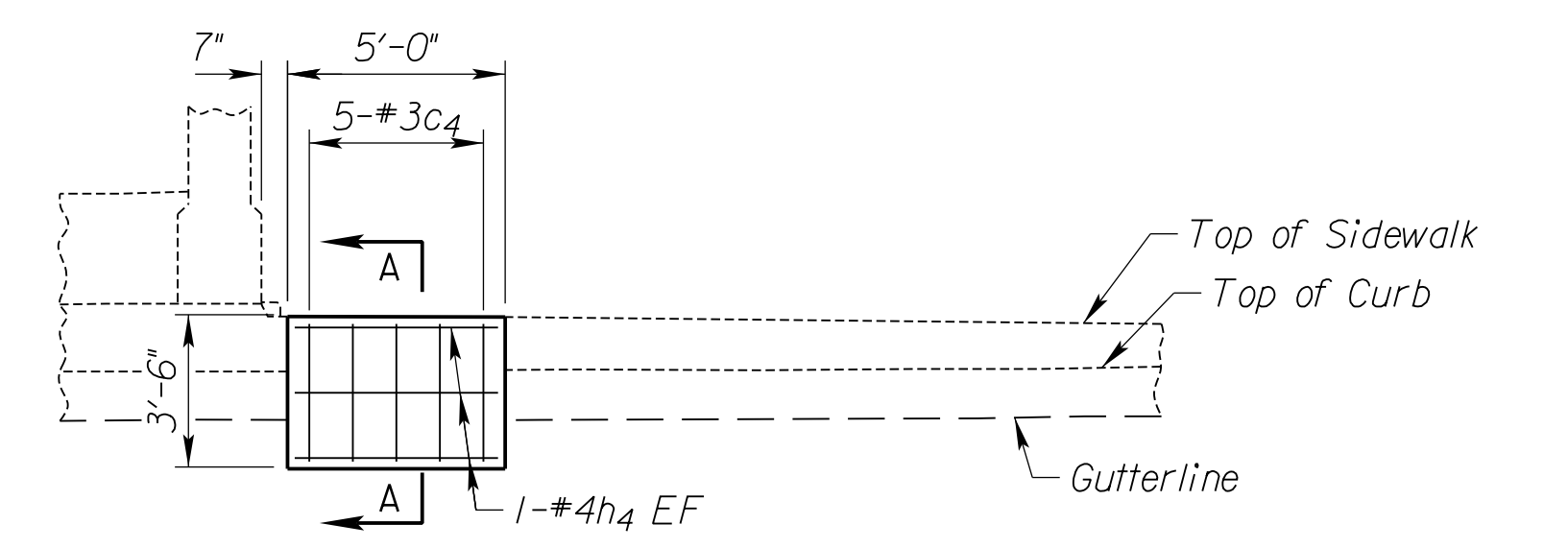


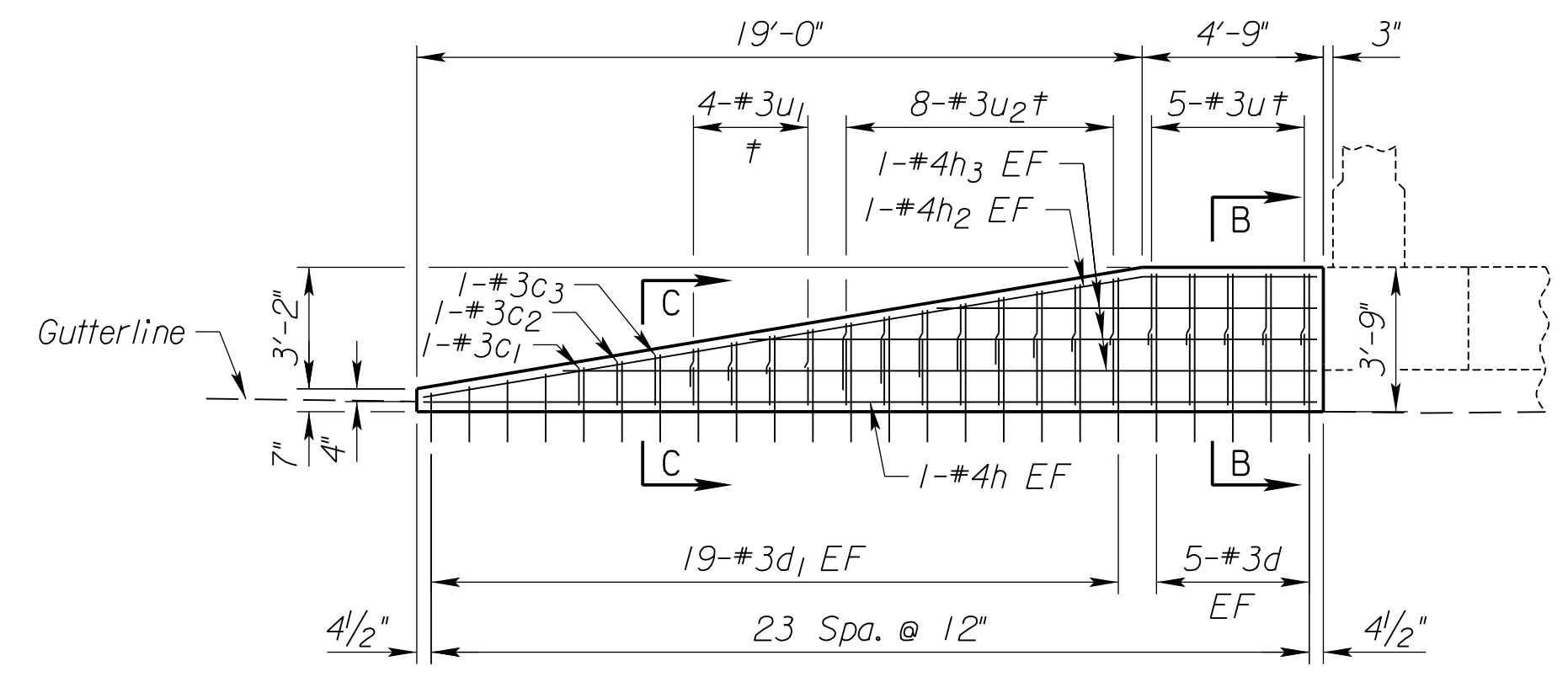
Notes:
 EF denotes Each Face.
 † In Pairs.
 Dimensions are out to out unless noted otherwise.
 No allowance for bend curvature is to be made except for standard hook and radii in excess of the same.
 Anchor bolt assemblies shall be incidental to the price for "Concrete Grade 4.0 (Barrier Rail)".
 Concrete tapers shall be painted safety yellow after construction.



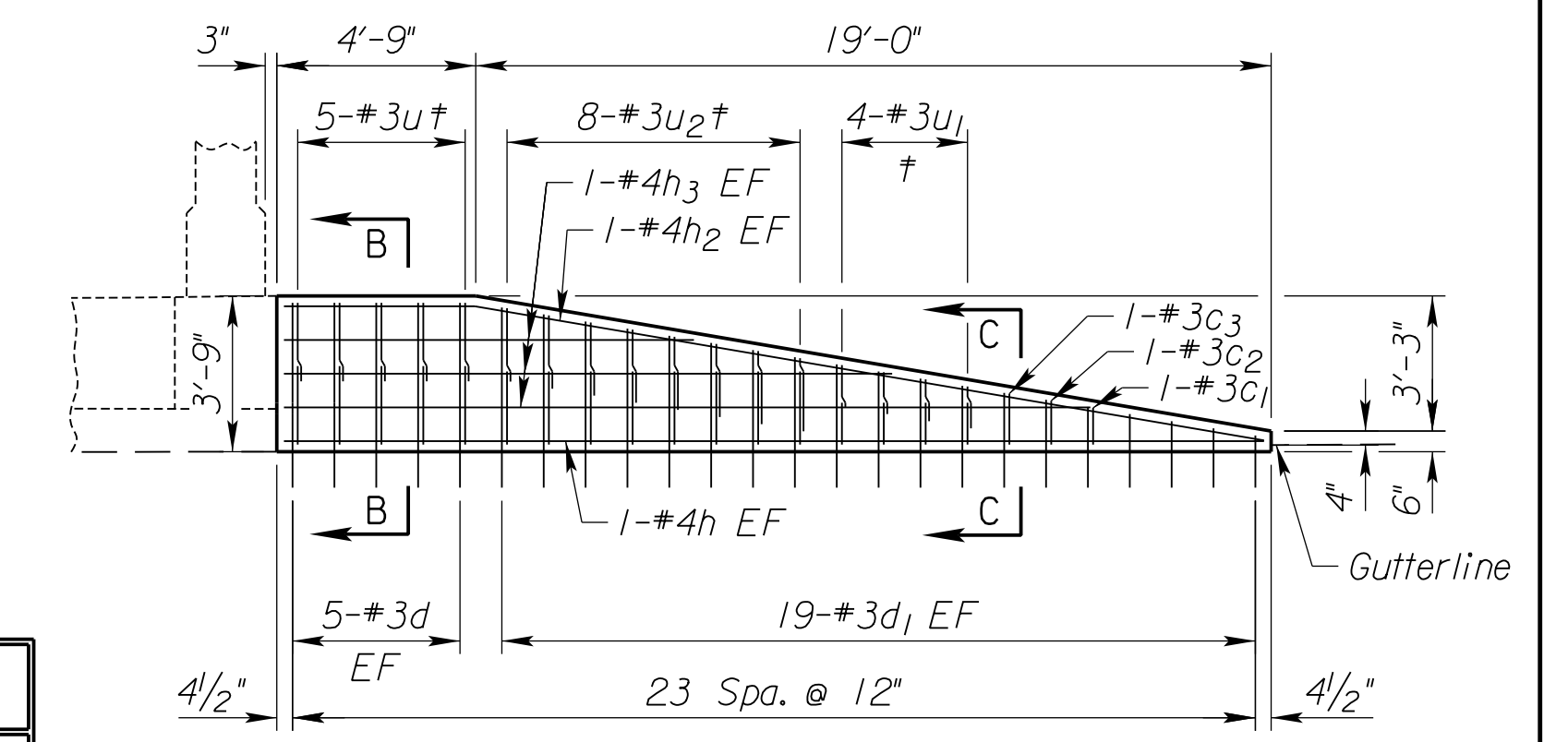
WEST FASCIA - PIER NO. 2



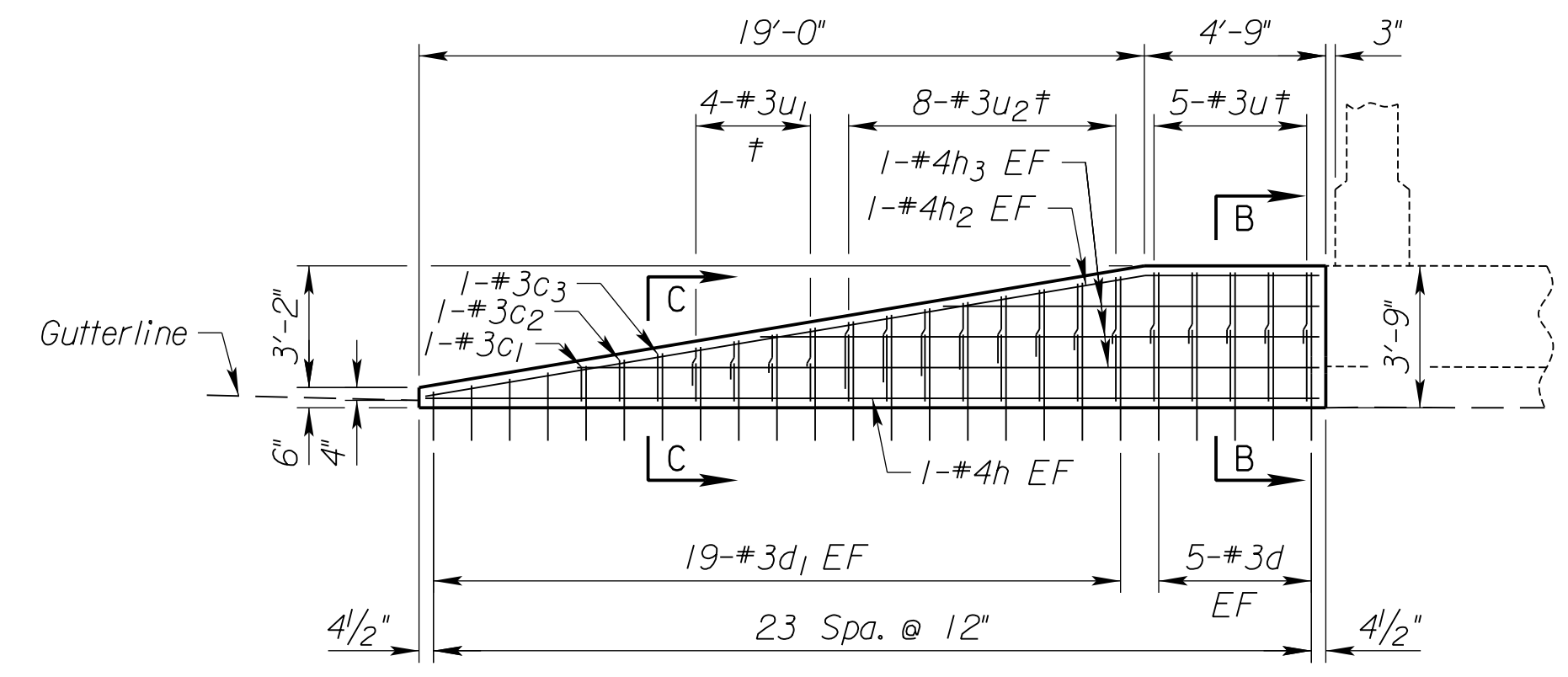
EAST FASCIA - PIER NO. 2



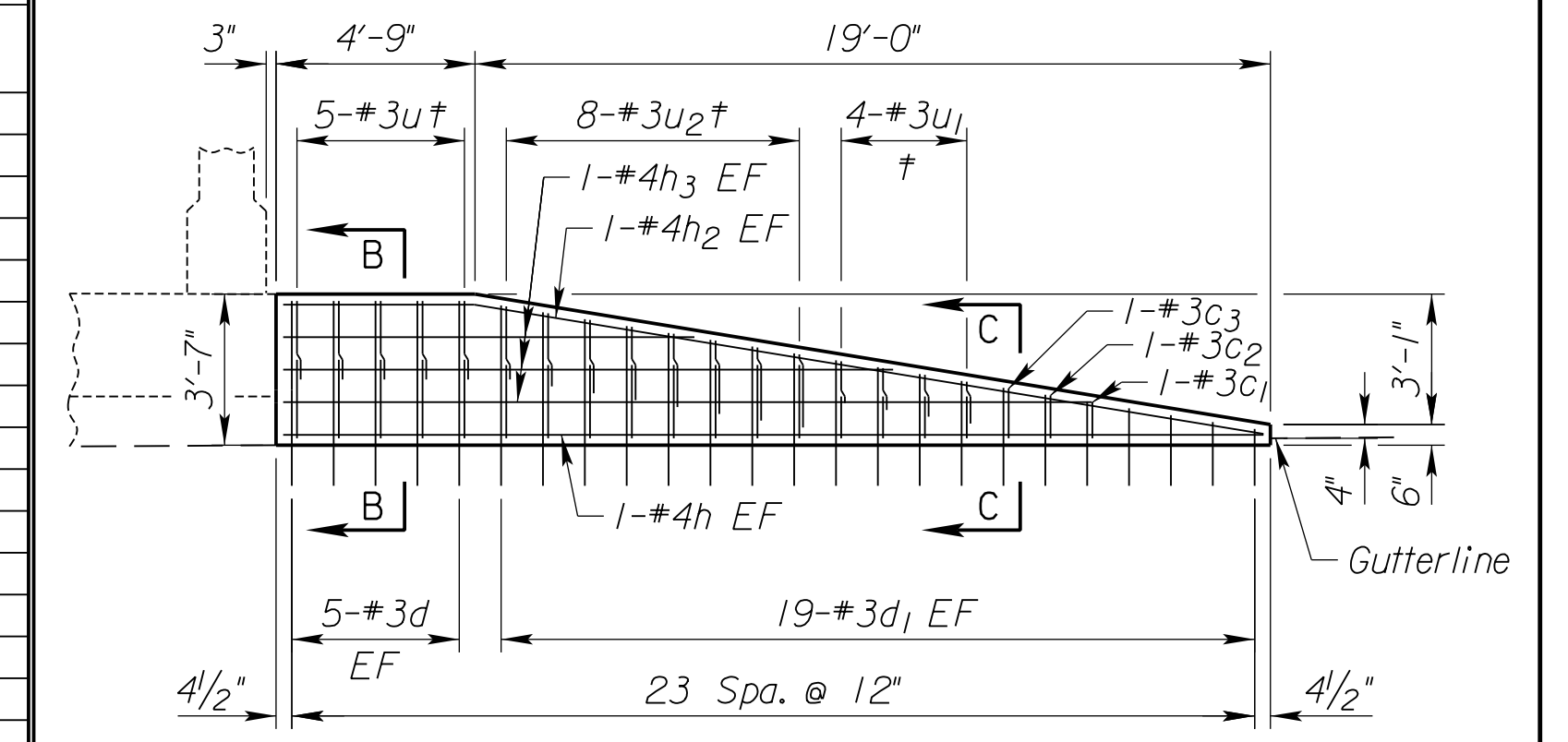
WEST FASCIA - PIER NO. 3



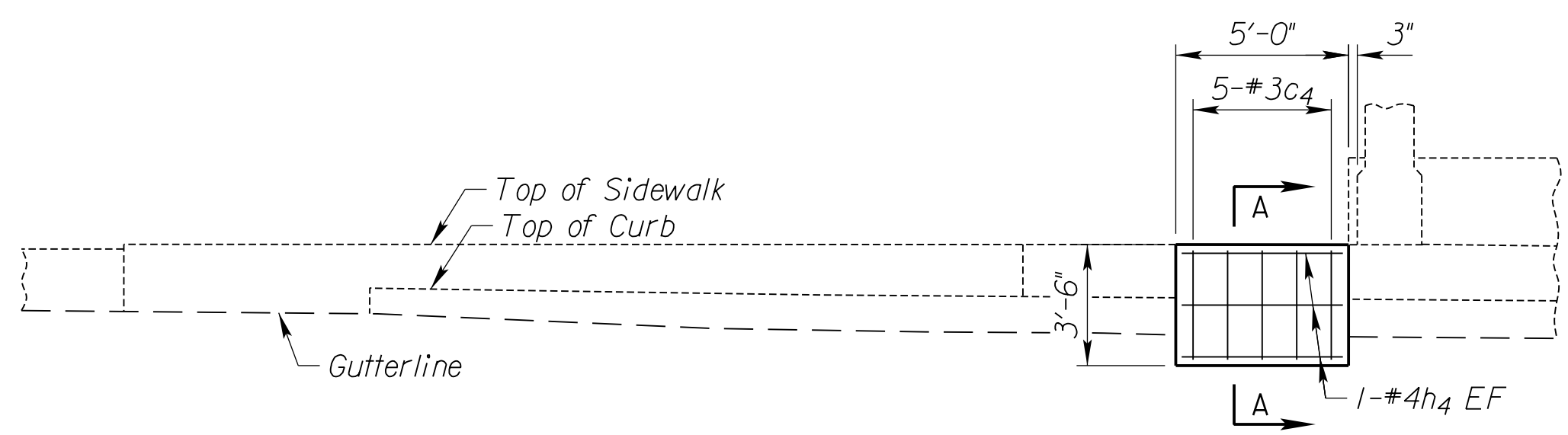
EAST FASCIA - PIER NO. 3



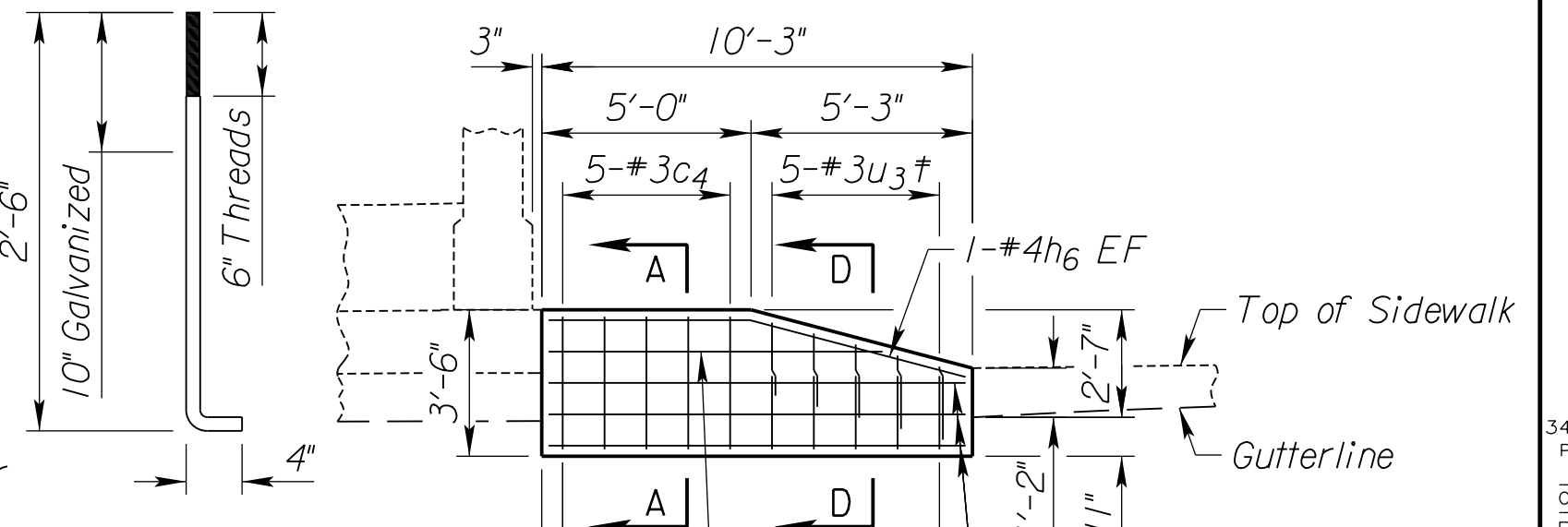
WEST FASCIA - PIER NO. 4



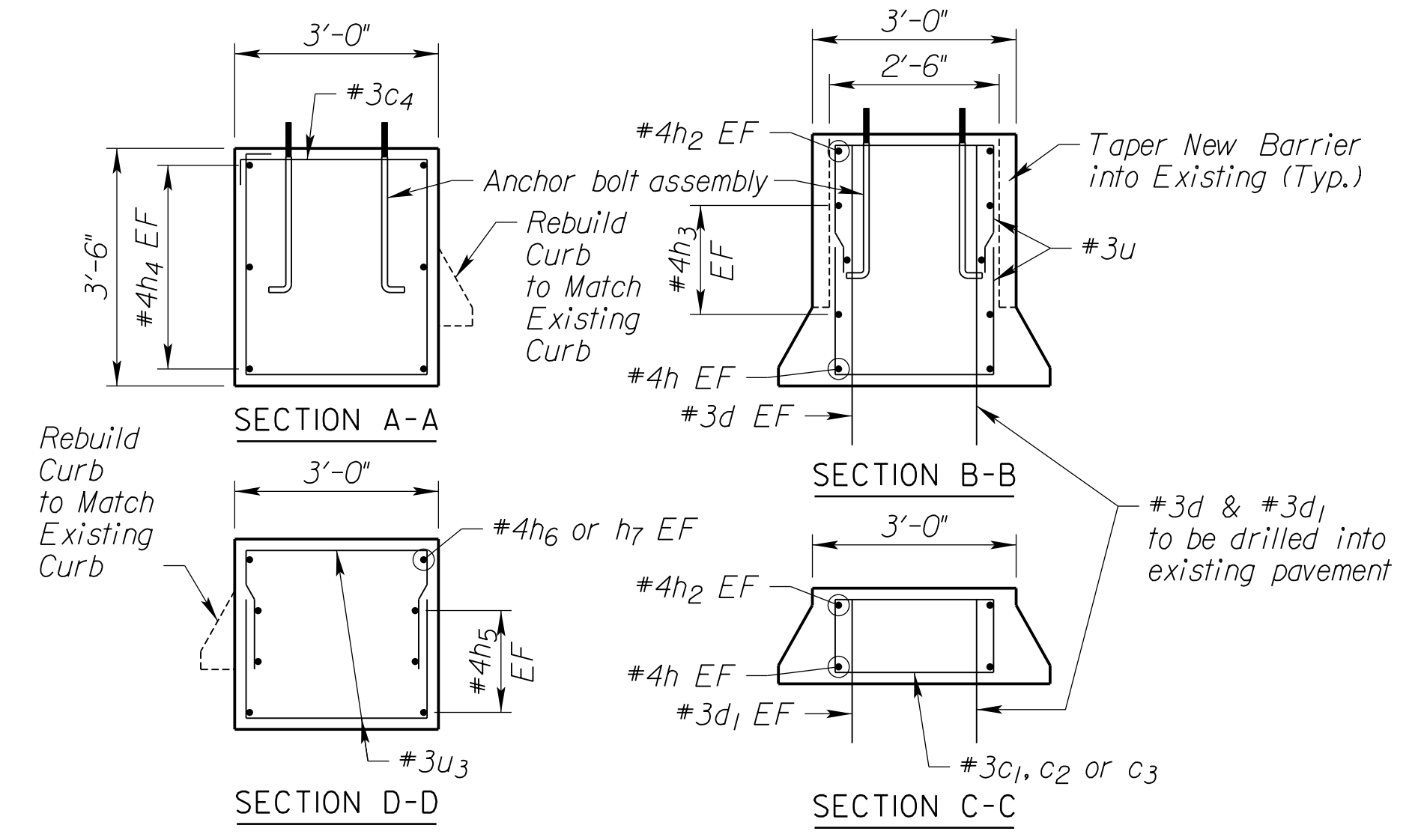
EAST FASCIA - PIER NO. 4



WEST FASCIA - PIER NO. 5

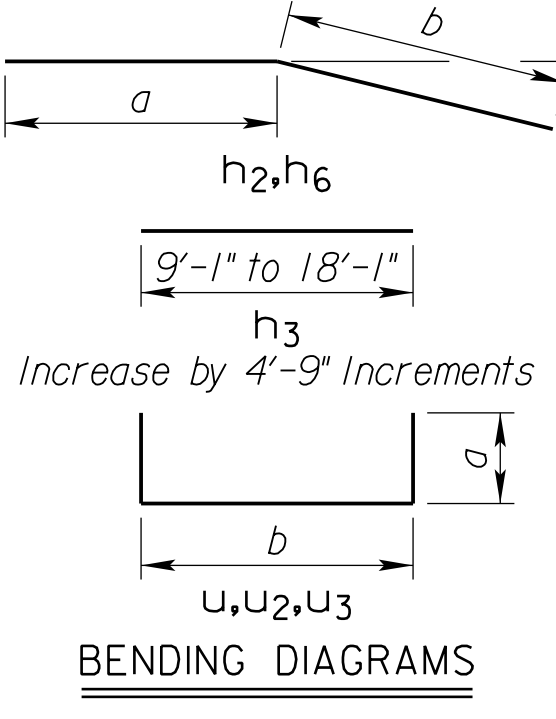
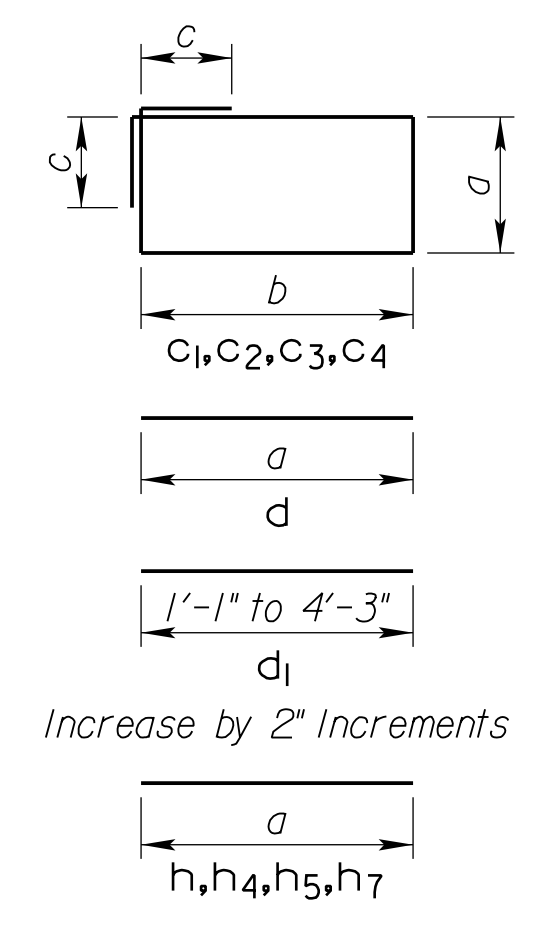


EAST FASCIA - PIER NO. 5



BILL OF REINFORCING STEEL - BARRIER RAIL
 GRADE 60 - EPOXY COATED

LOCATION	BAR LABEL	NO. REQUIRED	SIZE	TOTAL LENGTH	DIMENSIONS			lbs.
					a	b	c	
BARRIERS	c1	4	3	7'-0"	7 7/8"	2'-6"	4 1/2"	11
	c2	4	3	7'-5"	9 3/4"	2'-6"	4 1/2"	11
	c3	4	3	7'-9"	11 7/8"	2'-6"	4 1/2"	12
	c4	20	3	12'-5"	3'-2"	2'-8"	4 1/2"	93
	d	40	3	4'-5"	4'-5"			66
	d1	152	3	Varies				155
	h	8	4	23'-5"	23'-5"			125
	h2	8	4	23'-8"	4'-7"	19'-1"	3'-2"	126
	h3	24	4	Varies				234
	h4	18	4	4'-8"	4'-8"			56
	h5	6	4	9'-11"	9'-11"			40
	h6	2	4	10'-2"	4'-10"	5'-4"	1'-4"	14
	h7	2	4	8'-0"	8'-0"			11
	u	40	3	6'-3"	1'-10 1/2"	2'-6"		94
	u1	32	3	4'-6"	1'-0"	2'-6"		54
u2	64	3	6'-0"	1'-9"	2'-6"		144	
u3	10	3	6'-2"	1'-9"	2'-8"		23	



Coordinate anchor bolt assembly installation with new light poles shown elsewhere in these plans.